



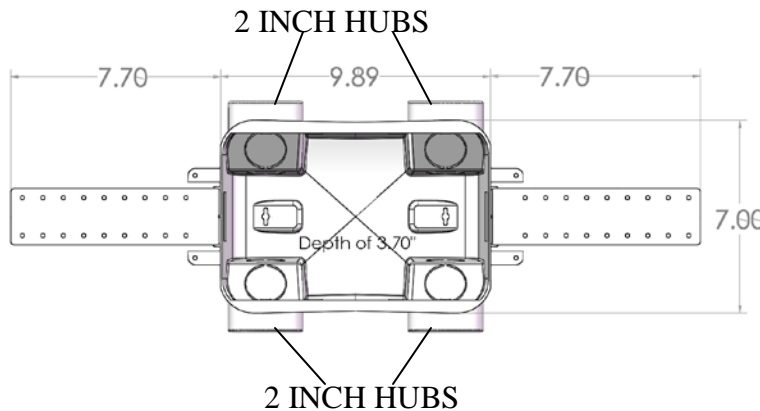
4700 W. 160th St.  
Cleveland, OH 44135  
1-800-321-9532  
1-800-321-9535  
www.oatey.com

TECHNICAL SPECIFICATION

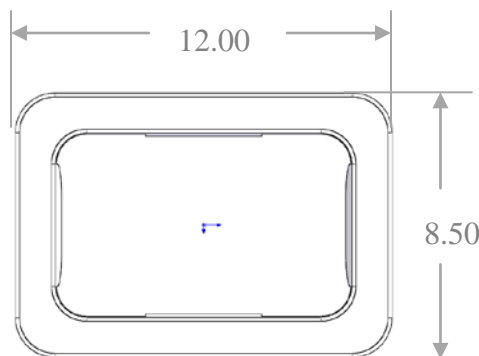
## 2 X 4 WASHING MACHINE OUTLET BOX



**TECHNICAL SPECIFICATION:** Oatey's 2 X 4 Washing Machine Box is used for commercial and residential washing machine applications. Oatey's WMOB comes with two support brackets, one condensate line connector, one red valve clip, one blue valve clip, one drain plug, and two valves installed or uninstalled.



- All Dimensions in Inches
- Ability to attach water lines from bottom or top
- Mount for condensate line
- Knockout drain caps
- Direct stud mount capability
- Snap-on faceplate frame accommodates up to 1" drywall.
- Two support brackets and direct stud mounts for easy mounting
- Box, Faceplate, and Brackets made from PVC



PRODUCT NUMBER	DESCRIPTION	CTN. QTY.
<b>No Hammer Assembled</b>		
38201	¼ Turn, Copper, No Hammer, Assembled, Standard Pack	12
38205	¼ Turn, CPVC, No Hammer, Assembled, Standard Pack	12
38209	¼ Turn, ASTM F1807, No Hammer, Assembled, Standard Pack	12
38216	¼ Turn, ASTM F1960, No Hammer, Assembled, Standard Pack	12
38200	Single Lever, Copper, No Hammer, Assembled, Standard Pack	12
38204	Single Lever, CPVC, No Hammer, Assembled, Standard Pack	12
38208	Single Lever, ASTM F1807, No Hammer, Assembled, Standard Pack	12
38215	Single Lever, ASTM F1960, No Hammer, Assembled, Standard Pack	12
38240	¼ Turn, Copper, No Hammer, Assembled, Contractor Pack	12
38243	¼ Turn, CPVC, No Hammer, Assembled, Contractor Pack	12
38241	¼ Turn, ASTM F1807, No Hammer, Assembled, Contractor Pack	12
38242	¼ Turn, ASTM F1960, No Hammer, Assembled, Contractor Pack	12
<b>Hammer Assembled</b>		
38203	¼ Turn, Copper, Hammer, Assembled, Standard Pack	12
38207	¼ Turn, CPVC, Hammer, Assembled, Standard Pack	12
38212	¼ Turn, ASTM F1807, Hammer, Assembled, Standard Pack	12
38219	¼ Turn, ASTM F1960, Hammer, Assembled, Standard Pack	12



4700 W. 160th St.  
Cleveland, OH 44135  
1-800-321-9532  
1-800-321-9535  
www.oatey.com

TECHNICAL SPECIFICATION

## 2 X 4 WASHING MACHINE OUTLET BOX



<b>Hammer Assembled</b>		
38202	Single Lever, Copper, Hammer, Assembled, Standard Pack	12
38206	Single Lever, CPVC, Hammer, Assembled, Standard Pack	12
38211	Single Lever, ASTM F1807, Hammer, Assembled, Standard Pack	12
38218	Single Lever, ASTM F1960, Hammer, Assembled, Standard Pack	12
38244	¼ Turn, Copper, Hammer, Assembled, Contractor Pack	12
38247	¼ Turn, CPVC, Hammer, Assembled, Contractor Pack	12
38245	¼ Turn, ASTM F1807, Hammer, Assembled, Contractor Pack	12
38246	¼ Turn, ASTM F1960, Hammer, Assembled, Contractor Pack	12
<b>No Hammer Unassembled</b>		
38261	¼ Turn, Copper, No Hammer, Unassembled, Standard Pack	12
38265	¼ Turn, CPVC, No Hammer, Unassembled, Standard Pack	12
38269	¼ Turn, ASTM F1807, No Hammer, Unassembled, Standard Pack	12
38276	¼ Turn, ASTM F1960, No Hammer, Unassembled, Standard Pack	12
38230	¼ Turn, Compression, No Hammer, Unassembled, Standard Pack	12
38262	Single Lever, Copper, No Hammer, Unassembled, Standard Pack	12
38266	Single Lever, CPVC, No Hammer, Unassembled, Standard Pack	12
38268	Single Lever, ASTM F1807, No Hammer, Unassembled, Standard Pack	12
38275	Single Lever, ASTM F1960, No Hammer, Unassembled, Standard Pack	12
<b>Hammer Unassembled</b>		
38263	¼ Turn, Copper, Hammer, Unassembled, Standard Pack	12
38267	¼ Turn, CPVC, Hammer, Unassembled, Standard Pack	12
38272	¼ Turn, ASTM F1807, Hammer, Unassembled, Standard Pack	12
38279	¼ Turn, ASTM F1960, Hammer, Unassembled, Standard Pack	12
38260	Single Lever, Copper, Hammer, Unassembled, Standard Pack	12
38264	Single Lever, CPVC, Hammer, Unassembled, Standard Pack	12
38271	Single Lever, ASTM F1807, Hammer, Unassembled, Standard Pack	12
38278	Single Lever, ASTM F1960, Hammer, Unassembled, Standard Pack	12
<b>Accessories</b>		
38290	2x4 Plastic Faceplate	12
38291	2x4 Plastic Brackets, 8" long	24
38292	2x4 Secondary Line Connector	12
38293	2x4 Plug	12
38294	Hot/Cold Temperature Indicator Clips for Supply Valves (12 Red, 12 Blue)	24
38295	Single Lever Handle Connector	12
38296	THIS IS NOT A DRAIN' Warning Sticker	50