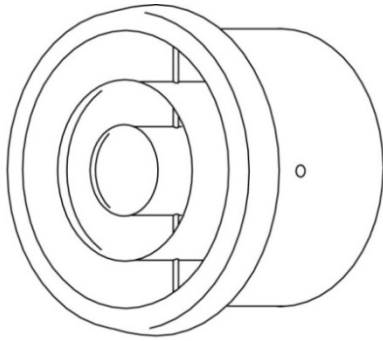




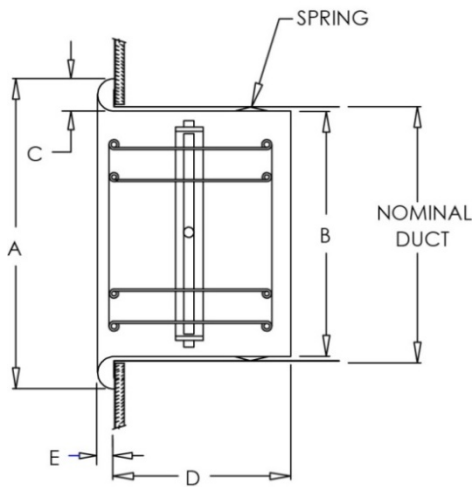
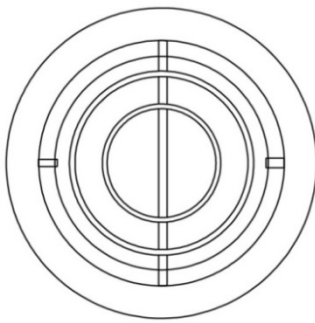
# Commercial Submittal Sheet

1203 Series

Aluminum Turbo Nozzle Diffuser



1203



1203

**Model:** 1203

**Description:** Aluminum Turbo Nozzle Diffuser

**Standard Features:**

- Aluminum construction deep housing and inner concentric rings
- Designed for high volume long throw applications
- Adjustable air direction
- Easily installed with use of strong spring clips
- No screws necessary for wall mounting resulting in a clean appearance
- Anodized finish

**Options:**

- Panel mount with up to 4 diffusers per panel (1204)
- MRI Compatible

**1203 Series Dimensions Listed in Inches**

Size	A	B	C	D	E
4"	4 3/4"	3 5/8"	5/8"	2"	1/2"
6"	7 3/16"	5 17/32"	7/8"	3 11/32"	11/16"
8"	9 13/32"	7 17/32"	1"	4 1/4"	3/4"
10"	11 7/8"	9 1/2"	1 1/4"	5 1/16"	15/16"
12"	14 11/32"	11 15/32"	1 1/2"	4 7/8"	1 1/8"
14"	16 5/8"	13 7/16"	1 21/32"	4 3/4"	1 7/32"
16"	18 25/32"	15 13/32"	1 3/4"	4 11/16"	1 5/16"
20"	23 7/16"	19 9/16"	2"	6 1/2"	1 1/2"
24"	27 7/16"	23 9/16"	2"	6 1/2"	1 1/2"

**Product Notes:**

\*For ceiling mount applications screws must be used to ensure diffuser is secure into the ceiling.

**Additional Information:**

Project / Location:	<b>Submittal Notes</b>
Engineer:	
Architect:	
Contractor:	