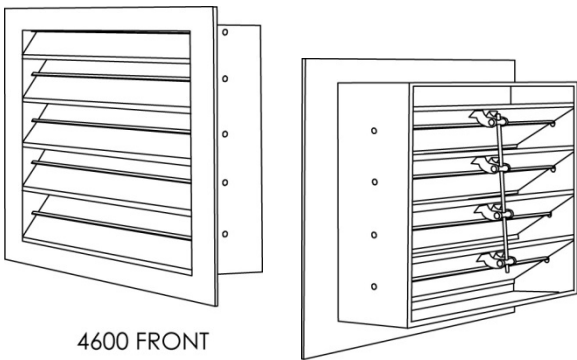




Damper Louver Submittal Sheet

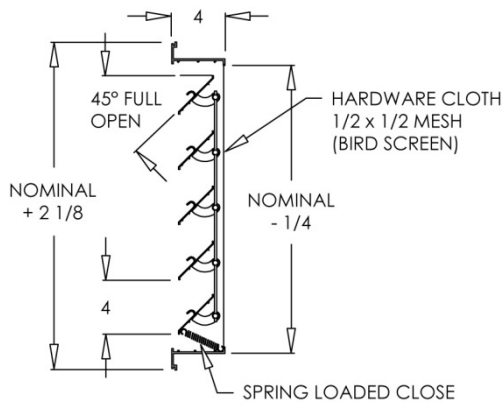
4600 Series

Adjustable 4" Outside Air Louver

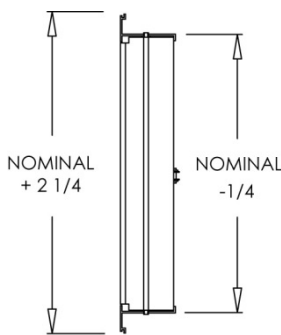


4600 FRONT

4600 BACK

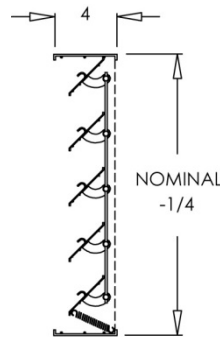


4600-FF
STANDARD

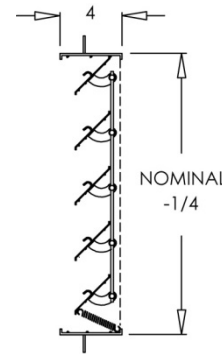


(TOP VIEW)

4600-FF
STANDARD



4600-CF



4600-OF

Model: 4600

Description: Adjustable 4" Outside Air Louver

Standard Features:

- Extruded aluminum construction
- Standard flange frame
- 4" depth
- Adjustable louvers on 4" centers
- Spring loaded close
- Storm bend on louvers to prevent water from entering
- Bird screen (1/2" x 1/2")
- Blades run parallel to first dimension given
- 1/4" pivot pins in nylon bushings
- Minimum size 12"x12"
- Maximum one piece size 48"x48"
- Driftwood Tan

Options:

- Flush mount channel frame (4600-CF)
- Offset flange frame, must specify flange placement (4600-OF)
- Insect Screen (1/16" x 1/16") (4600-IS)
- Fractional, exact I.D. and O.D. dimensions

Additional Information:

Project / Location:	Submittal Notes
Engineer:	
Architect:	
Contractor:	