



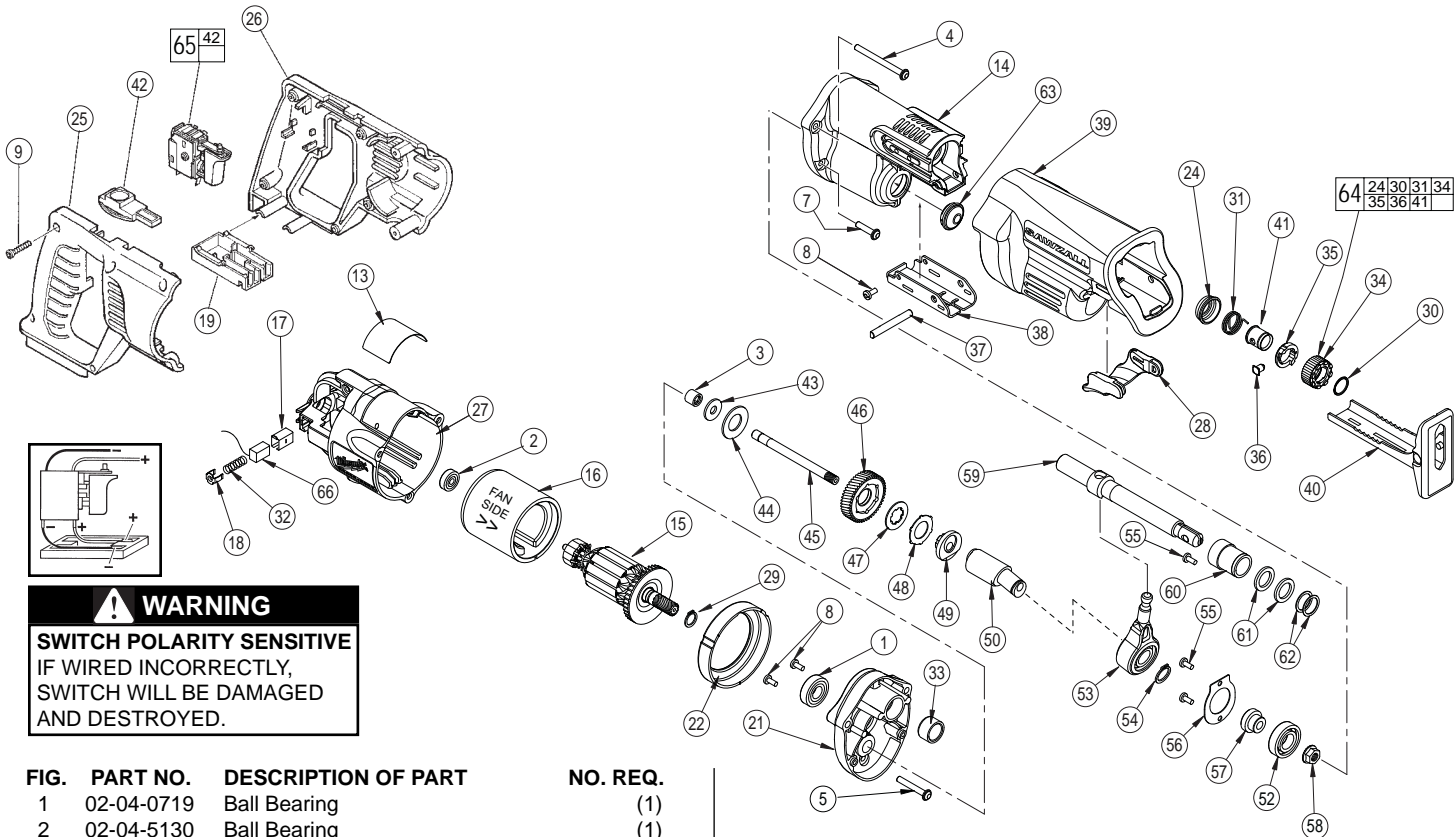
SERVICE PARTS LIST

BULLETIN NO.
55-40-0840

SPECIFY CATALOG NO. AND SERIAL NO. WHEN ORDERING PARTS		REVISED BULLETIN	DATE
CORDLESS SAWZALL®			Jan. 2008
CATALOG NUMBER	0819-50 (V 18 SX)	STARTING SERIAL NO.	B09A
		PRODUCT NUMBER	4000 4014 13
		WIRING INSTRUCTION 58-01-0791	

EXAMPLE:

Component Parts (Small #) Are Included When Ordering The Assembly (Large #).



WARNING
SWITCH POLARITY SENSITIVE
IF WIRED INCORRECTLY,
SWITCH WILL BE DAMAGED
AND DESTROYED.

FIG.	PART NO.	DESCRIPTION OF PART	NO. REQ.
1	02-04-0719	Ball Bearing	(1)
2	02-04-5130	Ball Bearing	(1)
3	02-50-2150	Needle Bearing	(1)
4	05-88-0302	K50 x 60mm Washer Hd. PT Screw	(2)
5	05-88-8309	K50 x 35mm Washer Hd. PT Screw	(1)
7	06-82-5363	8-32 x 1 Washer Hd. Taptite T-20 Screw	(2)
8	06-82-7253	8-32 x .38 Taptite T-20 Screw	(3)
9	06-82-7261	6-19 x .687 Slotted Plastite T-15 Screw	(6)
13	12-20-3420	Service Nameplate Kit	(1)
14	28-14-0999	Gearcase	(1)
15	16-01-2135	Service Armature	(1)
16	18-01-2120	Service Field	(1)
17	22-20-0860	Brush Tube	(2)
18	22-32-0400	Brush Spring Clip	(2)
19	22-56-0230	Connector Block	(1)
21	28-28-0719	Diaphragm	(1)
22	31-05-0719	Baffle	(1)
24	31-15-0511	Spring Cover	(1)
25	31-44-0750	Right Handle Half	(1)
26	31-44-0755	Left Handle Half	(1)
27	31-50-0019	Motor Housing	(1)
28	31-52-0090	Shoe Release Lever	(1)
29	34-60-0920	External Retaining Ring	(1)
30	34-60-3680	Retaining Ring	(1)
31	40-50-0161	Torsion Spring	(1)
32	40-50-8840	Brush Spring	(2)
33	42-24-0620	Rear Spindle Bearing	(1)
34	42-50-0076	Front Cam	(1)
35	42-50-0077	Rear Cam	(1)
36	44-60-0626	Lock Pin	(1)
37	44-60-1635	Shoe Pin	(1)
38	44-66-0880	Shoe Retainer	(1)
39	45-12-0999	Gearcase Insulator	(1)
40	45-16-0645	Shoe Assembly	(1)
41	45-22-0081	Sleeve	(1)

FIG.	PART NO.	DESCRIPTION OF PART	NO. REQ.
42	-----	Lock Off Slide	(1)
43	45-88-1555	Washer	(1)
44	40-50-8850	Disc Spring	(1)
45	42-12-0155	Wobble Shaft Axel	(1)
46	32-40-0719	Intermediate Gear	(1)
47	43-06-0685	Metal Plate	(1)
48	43-06-0676	Bronz Plate	(1)
49	43-78-0525	Drive Hub	(1)
★ 50	36-92-0501	Wobble Shaft	(1)
52	02-04-1510	Ball Bearing	(1)
53	14-67-0135	Wobble Plate Assembly	(1)
54	34-60-1315	Retaining Ring	(1)
55	06-82-7253	8-32 x 3/8" Pan Hd. Sl. Taptite T-20	(3)
56	44-86-0055	Bearing Retainer	(1)
57	45-36-1445	Spacer	(1)
58	06-55-3790	5/16-24 Spinlok Hex Nut	(1)
59	38-50-0680	Reciprocating Spindle	(1)
60	42-24-0610	Front Spindle Bearing	(1)
61	45-06-0501	Felt Seal	(2)
62	45-88-8577	Washer	(2)
63	42-52-0380	Bearing Cap	(1)
64	14-46-1011	Steel Quik-Lok Blade Clamp Kit	(1)
★ 65	23-66-2484	Switch Assembly Kit	(1)
66	22-18-0976	Carbon Brush Assembly - White (Right)	(1)
66A	22-18-0971	Carbon Brush Assy.- Black (Left) (Not Shown)	(1)
	23-94-5890	Leadwire Assembly - Black	(1)
	23-94-5895	Leadwire Assembly - White	(1)

MILWAUKEE ELECTRIC TOOL CORPORATION
13135 W. LISBON RD., BROOKFIELD, WI 53005