

*There is more than 1 version of this model.  
Page down to identify the version you have.*

## FAUCET DESCRIPTION

- Chrome plated solid brass construction
- 4" centerset metering faucet
- Vandal resistant

## OPERATION

- Operates with water supply line pressures of 20 to 125psi
- ADA compliant lever style handle with hot and cold indicators
- Cycle time easily adjusted from 5 to 60 seconds, independent from water pressure
- Factory preset to automatically shut off after 10 seconds
- 1/2" IPS supply shanks


## FLOW

- 0.5gpm max (1.9 L/min) vandal-resistant multi-stream laminar flow limits water discharge to a maximum of 0.25gpc (0.95 L/cycle) @ 30 seconds or 0.20gpc (0.76 L/cycle) @ 24 seconds

## CARTRIDGE

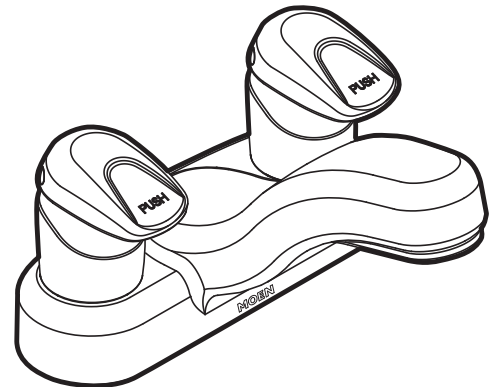
- 52100 brass shell cartridge
- Self contained metering mechanism which is separate from the potable water supply

## STANDARDS

- Third party certified to ASME A112.18.1/CSA B125.1, and all applicable specifications referenced therein
- Contains no more than 0.25% weighed average lead content
- ADA  for lever handles
- CalGreen compliant

## WARRANTY

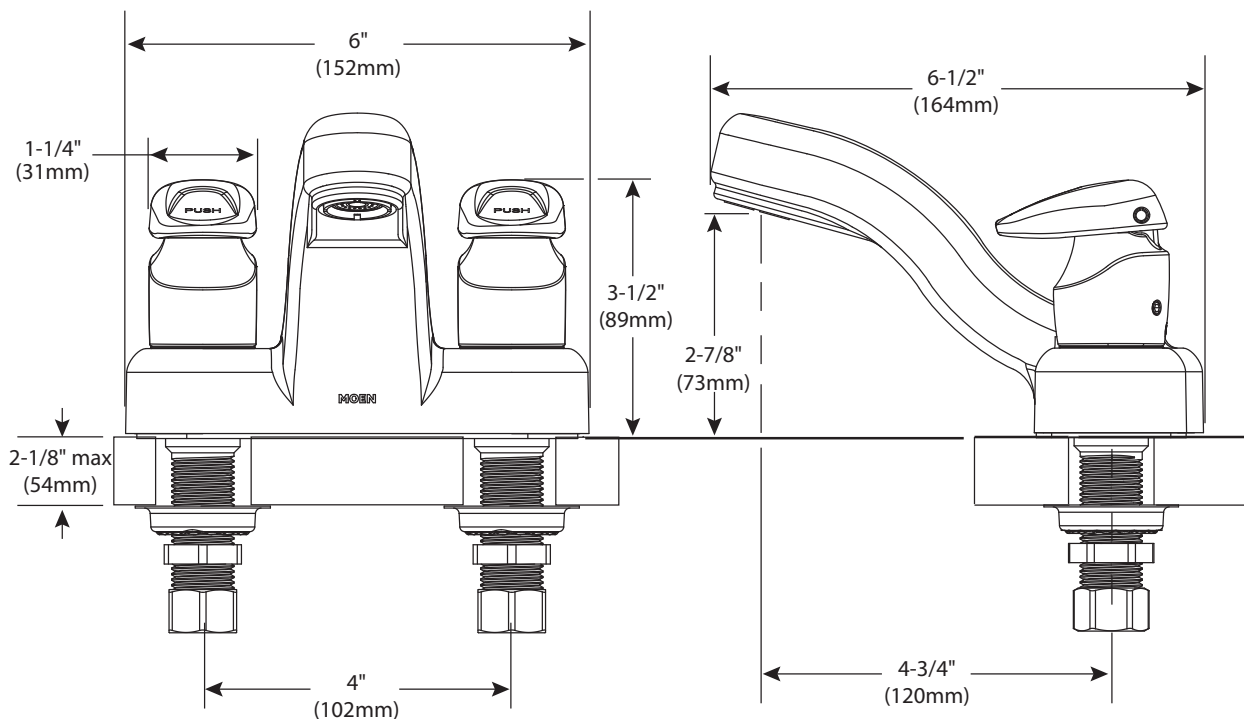
- Warranted for 5 years against material or manufacturing defects



**Two-Handle ADA Metering Lavatory Faucet**

**Model: 8886 (Chrome)**

**NOTE:** DESIGNED TO INSTALL THROUGH 2-1" MIN. DIA. HOLES. 4" ON CENTER



## CRITICAL DIMENSIONS

(DO NOT SCALE)

## FAUCET DESCRIPTION

- Chrome plated brass construction
- 4" centerset metering faucet
- Vandal resistant

## OPERATION

- ADA compliant lever style handle with hot and cold indicators
- Metering mechanism is adjustable, to allow the installer to compensate for supply line pressures of 20 to 80 psi.
- Cycle time easily adjusted from 5 to 60 seconds
- Factory preset to automatically shut off after 10 seconds at 80 psi
- 1/2" IPS supply shanks


## FLOW

- Vandal resistant aerator limits water discharge to a maximum of .25 gpc (.95 L/cycle) or .50 gpm

## CARTRIDGE

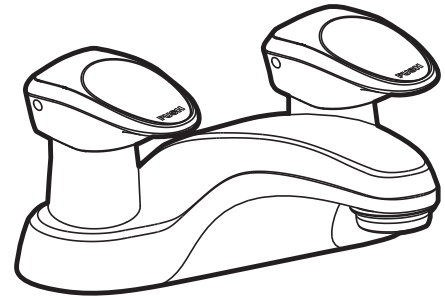
- 16352 cartridge design
- Nonmetallic and nonferrous material
- Self contained metering mechanism which is separate from the potable water supply

## STANDARDS

- Third party certified to ASME A112.18.1/CSA B125.1, and all applicable specifications referenced therein
- ADA  for lever handles

## WARRANTY

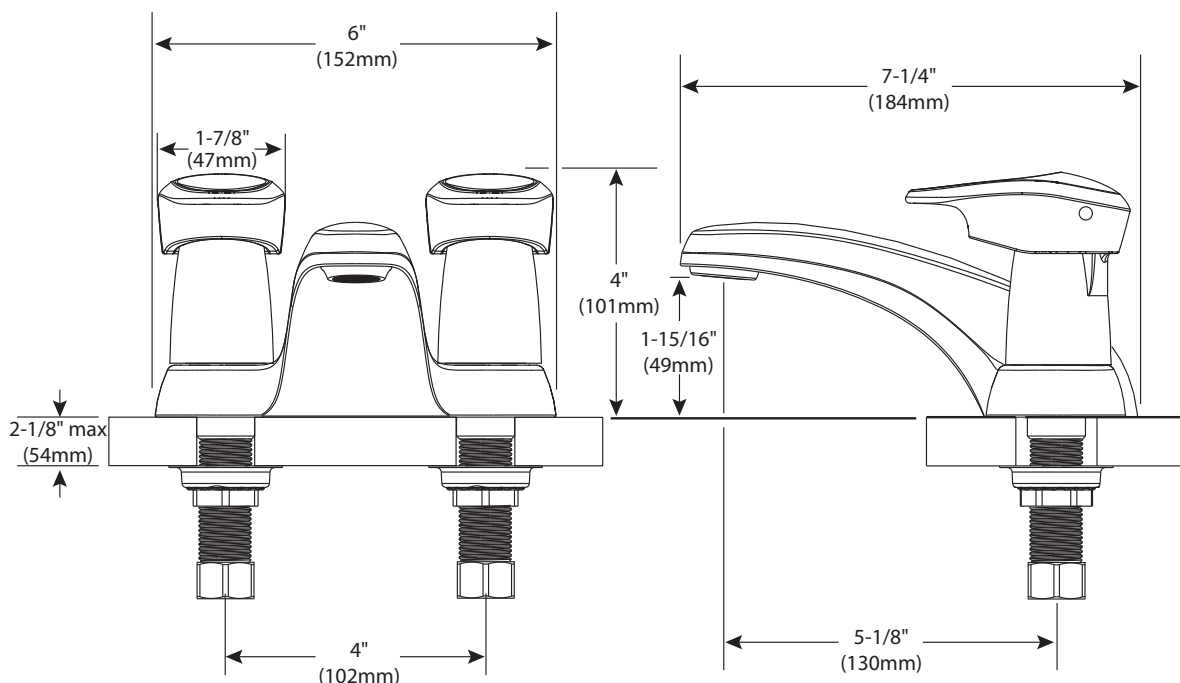
- Warranted for 5 years against material or manufacturing defects



**Two-Handle ADA Metering Lavatory Faucet**

**Model:** 8886 (Chrome)

**NOTE:** DESIGNED TO INSTALL THROUGH 2-1" MIN. DIA. HOLES. 4" ON CENTER



## CRITICAL DIMENSIONS

(DO NOT SCALE)