

Section 2: INSTALLATION INSTRUCTIONS

Mounting the Receiver

1. Select a location within 6" adjacent to your sprinkler timer (receiver may be located indoor or outdoor).
2. Mount rain/freeze receiver (antenna side up) using screws provided.
3. Extend and straighten the antenna upward.

Wiring the Receiver to Timer

Important: This sensor is designed for 24-Volt irrigation timers only. Do not connect the receiver to 120/240 VAC. All wiring must conform to applicable local codes. Disconnect power to the sprinkler timer (unplug timer, turn off the appropriate circuit breaker or remove fuse) before attempting to connect the rain sensor receiver.

The two most common wiring situations are detailed below. The green "normal open" wire is not used in most installations. For nonstandard wiring situations, please contact our customer support hotline at 1-888-HYDRORAIN.

24-Volt Solenoid Valves Only (No Booster Pump)

1. Remove wire terminal cover from timer.
2. Check your timer for pre-installed sensor terminals. If the timer does not have sensor terminals, proceed to step 3. If it does, take the wire from rain/freeze receiver and connect the white (common) wire to one sensor terminal and the yellow (normal closed) wire to the other. (See Figure 3) Skip to step 5.

Section 2: INSTALLATION INSTRUCTIONS

3. Disconnect the common valve wire from the timer, and attach it (using a wire nut) to the yellow (normal closed) wire from the rain/freeze receiver. (See Figure 4)
4. Connect the white (common) wire from the rain/freeze receiver to the common terminal of the timer.
5. Connect the (2) red “24V” wires to the 24V terminals of the timer.

24-Volt Solenoid Valves with Booster Pump

Note: The pump circuit output must be 24 volts in this situation—
if different, do not proceed.

1. Remove wire terminal cover from timer.
2. Check your timer for pre-installed sensor terminals. If the timer does not have sensor terminals, proceed to step 3. If it does, take the wire from the rain/freeze receiver and connect the white (common) wire to one sensor terminal and the yellow (normal closed) wire to the other. (See Figure 3) Skip to step 5.
3. Disconnect the common valve wire(s) from the timer and the common wire lead of the relay that starts the pump from the common terminal of the timer. Attach them to the yellow (normal closed) wire from the receiver, using a wire nut. (See Figure 5).
4. Connect the white (common) wire from the rain/freeze receiver to the common terminal on the timer.
5. Connect the (2) red “24V” wires to the 24V terminals of the timer.

Section 2: INSTALLATION INSTRUCTIONS

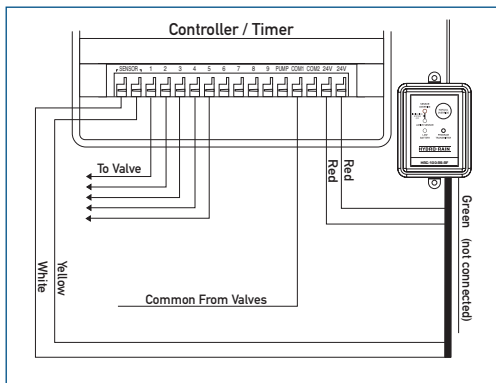


Figure 3: Wiring sprinkler timer with sensor terminals without booster pump

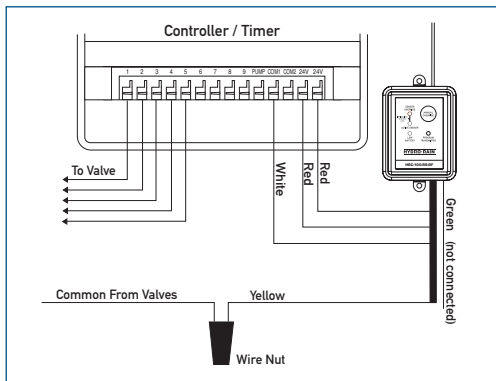


Figure 4: Wiring sprinkler timer without sensor terminals with booster pump

Section 2: INSTALLATION INSTRUCTIONS

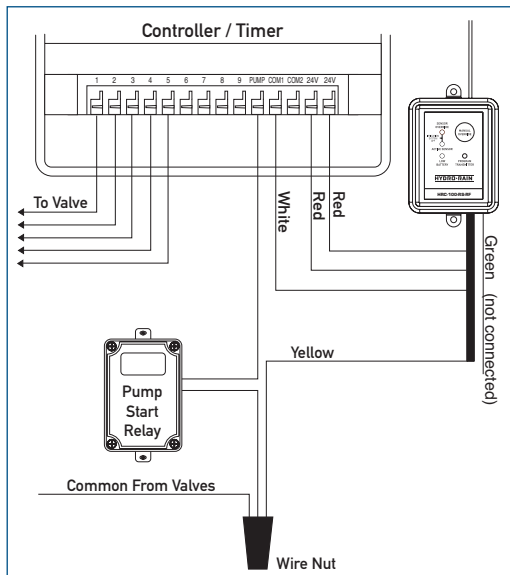


Figure 5: Wiring sprinkler timer with booster pump without sensor terminals