

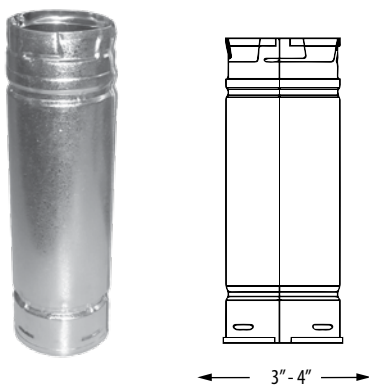
Horizontal Kit



Kit includes: Round Horizontal Cap, 90° Elbow, Wall Strap, Five 12" Pipe Lengths, Tee with Clean-out Tee Cap, Wall Thimble, Appliance Adapter.
4" Kit includes a 3"-4" Appliance Adapter/Incraser.

SIZE	ORDER #	STOCK #
3"	3PVL-KHA	810001437
4"	4PVL-KHA	810001438

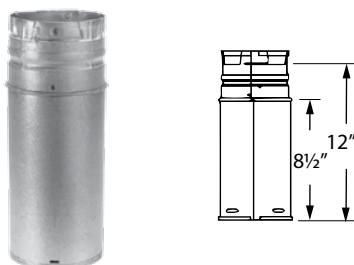
Straight Pipe Length



Features fully unitized, twist-lock construction in 3" and 4" diameters. Listed at 1" clearance to combustibles. It can be used in both vertical and horizontal installations. Stainless steel wall combined with a galvanized outer wall. Pipe OD is diameter plus 5/8". Galvalume or painted black outer finish. 12" length available with stainless steel outer (SS).

SIZE	3"		4"	
	ORDER #	STOCK #	ORDER #	STOCK #
6"	3PVL-06	810001439	4PVL-06	810001478
6" BLACK	3PVL-06B	810001440	4PVL-06B	810001479
12"	3PVL-12	810001441	4PVL-12	810001480
12" BLACK	3PVL-12B	810001442	4PVL-12B	810001481
12" SS	3PLV-12SS	810013695	4PVL-12SS	810013696
24"	3PVL-24	810001443	4PVL-24	810001482
24" BLACK	3PVL-24B	810001444	4PVL-24B	810001483
36"	3PVL-36	810001445	4PVL-36	810001484
36" BLACK	3PVL-36B	810001446	4PVL-36B	810001485
60"	3PVL-60	810001447	4PVL-60	810001486
60" BLACK	3PVL-60B	810001448	4PVL-60B	810001487

Adjustable Pipe Length



Use to add length to PelletVent pipe. 12" pipe adds 3"-10" of length when used with rigid sections of pipe. Galvalume or painted black outer finish.

SIZE	3"		4"	
	ORDER #	STOCK #	ORDER #	STOCK #
12"	3PVL-A12	810001449	4PVL-A12	810001488
12" BLACK	3PVL-A12B	810001450	4PVL-A12B	810001489