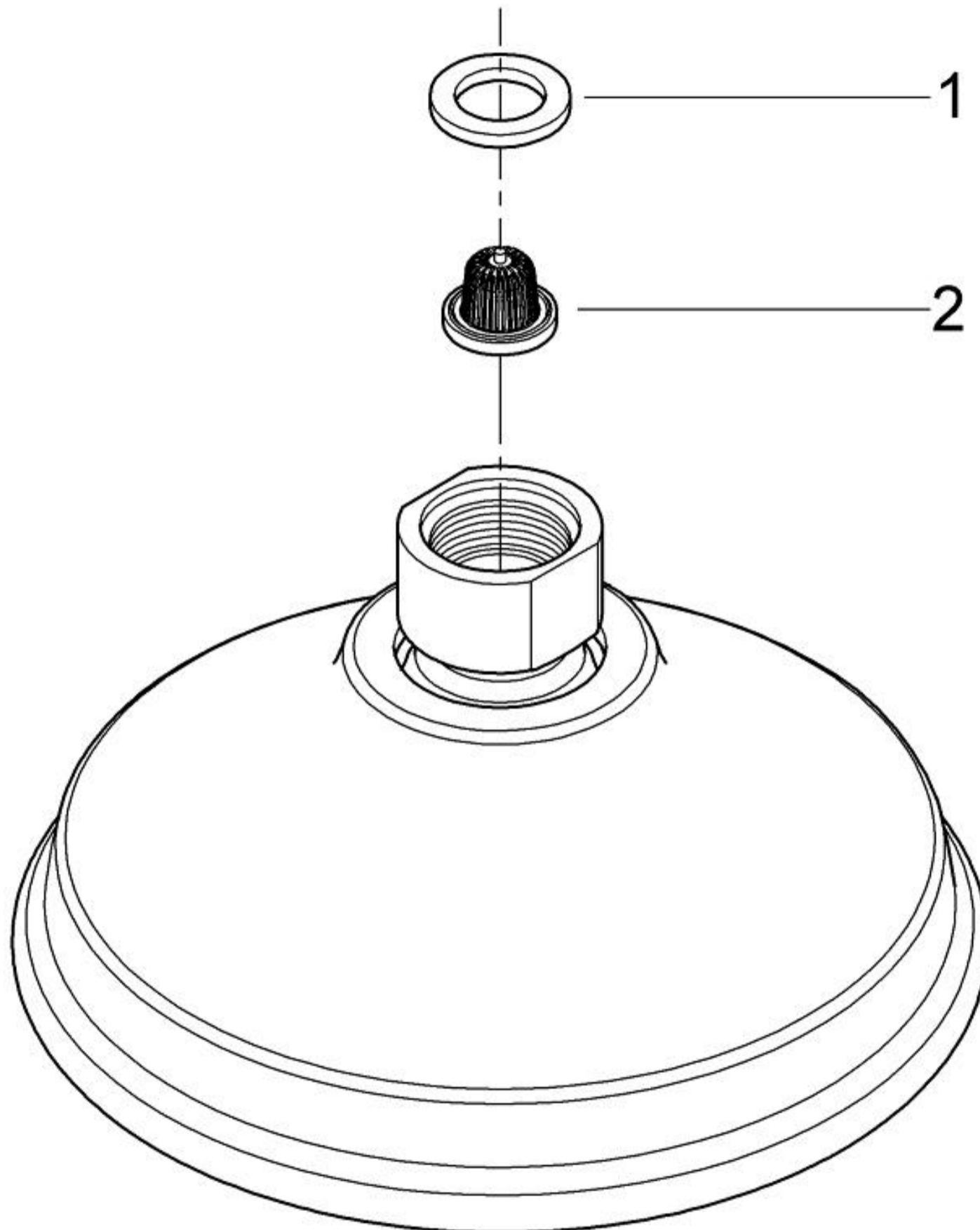


CAD DATA

SPARE PARTS

**Pos.-nr.****Prod. description****Order-nr.**

1

Fibre seal Ø 18,5 x Ø 12 x 2

0138900M

* Optional accessories

Pos.-nr.	Prod. description	Order-nr.
2	Dirt strainer	0676800M

* Optional accessories

PRODUCTS AND ACCESSORIES FOR THE INSTALLATION

PRODUCT RANGE

ALL

PEOPLE ALSO VIEWED



Essentials

Master bathroom accessories set 5-...
40344001



Essentials

Robe hook
40364001



Essentials

Towel ring
40365001

REVIEWS & QUESTIONS

REVIEWS



Be the first to review this product

QUESTIONS