



Buy it for looks. Buy it for life.®

**There is more than 1 version of this model.
Page down to identify the version you have.**

DESCRIPTION

- Metal construction with chrome plated finish
- 1/2" IPS connections will accept standard ball nose connection for 3/8" tubing
- Installation through 3 holes, 1" min. diameter, and 4" on center
- Includes pop-up waste assembly except in model 64900
- Includes hot and cold temperature indicators

OPERATION

- Knob handles
- Maximum handle rotation angle is 90° to full on
- Both handles counterclockwise to open (clockwise to close)

FLOW

- Water usage is limited to the maximum flow rates as indicated by the corresponding product markings
 - 1.2 gpm max (4.5 L/min) at 60 psi

CARTRIDGE

- 1234 Duralast® cartridge
- Nonmetallic and stainless steel material

STANDARDS

- Third party certified at WaterSense®, ASME A112.18.1/CSA B125.1, and all applicable requirements referenced therein including NSF 61/9 & 372
- Products marked with 1.2 gpm are compliant with California water efficiency regulations
- Complies with California Proposition 65 and with the Federal Safe Drinking Water Act

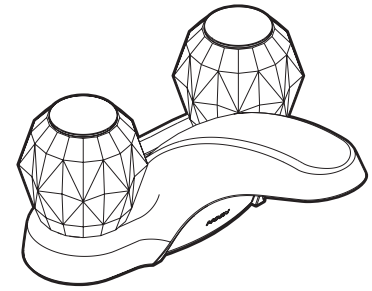
WARRANTY

- Lifetime limited warranty against leaks, drips and finish defects to the original homeowner
 - 10 year limited warranty when used in a multifamily installation
 - 5 year limited warranty when used in a commercial installation
- Visit www.moen.com/support for complete details and limitations

OPTIONS (See Illustrated Parts page)

- Thin and thick deck mounting hardware kits available

Specifications



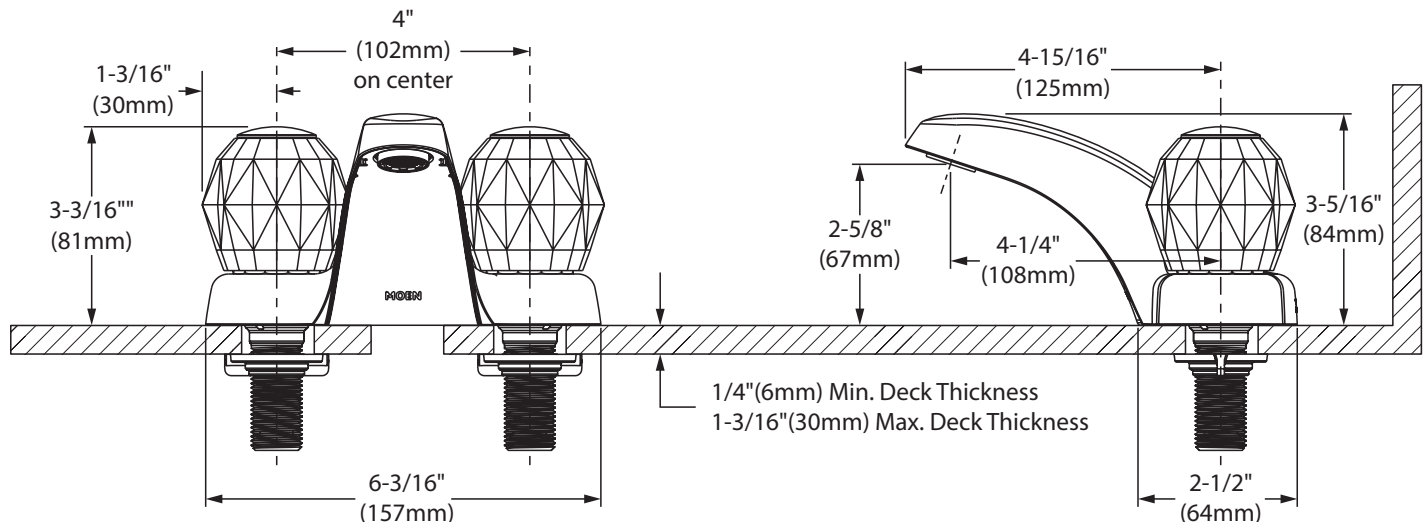
CHATEAU®

Two-Handle 4" Centerset Lavatory Faucet

Bulk Models (12 per carton):

- 64919 includes metal waste
- 64920 includes 50/50 waste
- 64900 less waste*

* Models less waste include removable plug button in lift rod hole, and can be installed through 2 holes, 1" min. diameter, and 4" on center



CRITICAL DIMENSIONS

(DO NOT SCALE)



Buy it for looks. Buy it for life.®

Specifications

DESCRIPTION

- Metal construction with a chrome plated or LifeShine® polished brass finish
- 1/2" IPS connections
- Includes metal pop-up type waste assembly

OPERATION

- Knob style handles with hot and cold color indicators
- Rotate either handle counterclockwise to open and clockwise to close

FLOW

- Aerator is limited to 2.2 gpm max (8.3 L/min)

CARTRIDGE

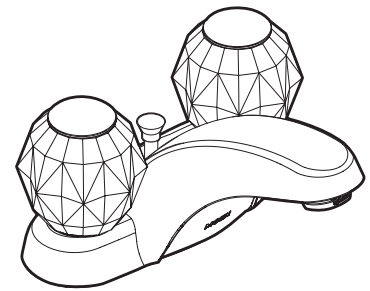
- 1224 cartridge design
- Nonmetallic and stainless steel material

STANDARDS

- Third party certified by CSA to meet CSA B-125 and ASME A112.18.1M and all applicable requirements referenced therein.
- Certified to ANSI/NSF 61/9
- Complies with California Proposition 65 and with the Federal Safe Water Drinking Act

WARRANTY

- Lifetime limited warranty against leaks, drips and finish defects to the original consumer purchaser
- 5 year warranty if used in commercial installations

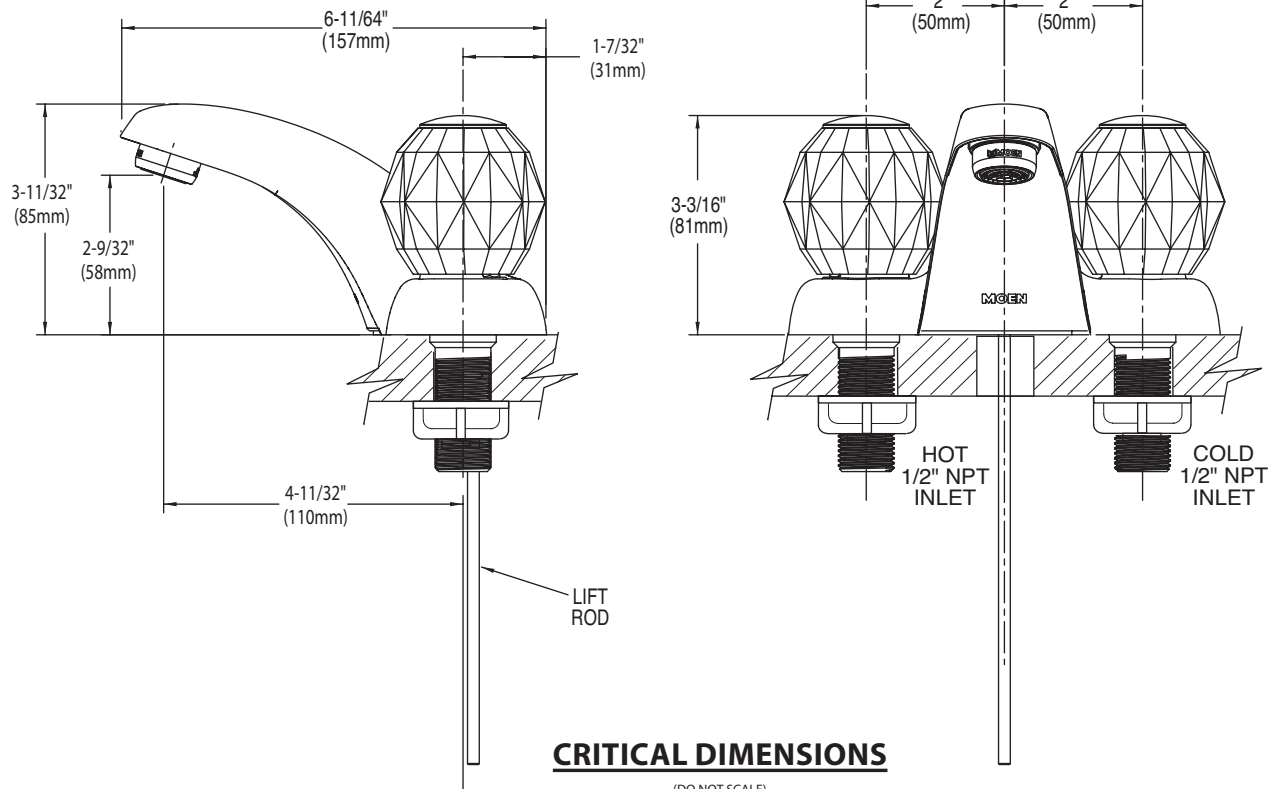


CHATEAU®

Two-Handle Lavatory Faucet with Metal Waste Assembly

Bulk Models (12 per carton):
64919 includes metal waste

NOTE: Designed to be installed through
3 - 1" min. dia. holes 2" on center





Buy it for looks. Buy it for life.®

Specifications

DESCRIPTION

- Metal construction with a chrome plated or decorative antique brass, LifeShine® polished brass or glacier finish
- 1/2" IPS connections
- Includes metal pop-up type waste assembly

OPERATION

- Knob style handles
- Rotate either handle in a counterclockwise manner to open and clockwise to close

FLOW

- Aerator is limited to 2.2 gpm max (8.3 L/min)

CARTRIDGE

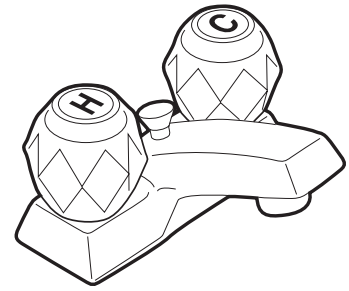
- 1224 cartridge design
- Nonmetallic and stainless steel material

STANDARDS

- Third party certified by CSA to meet CSA B-125 and ASME A112.18.1M and all applicable requirements referenced therein.
- Certified to ANSI/NSF 61/9
- Complies with California Proposition 65 and with the Federal Safe Water Drinking Act

WARRANTY

- Lifetime limited warranty against leaks, drips and finish defects to the original consumer purchaser
- 5 year warranty if used in commercial installations



CHATEAU®

Two-Handle Lavatory Faucet with Metal Waste Assembly

Bulk Models (12 per carton):
64919, 64920A, 64920P, 64920W

NOTE: Designed to be installed through 3 - 1" min. dia. holes 2" on center

