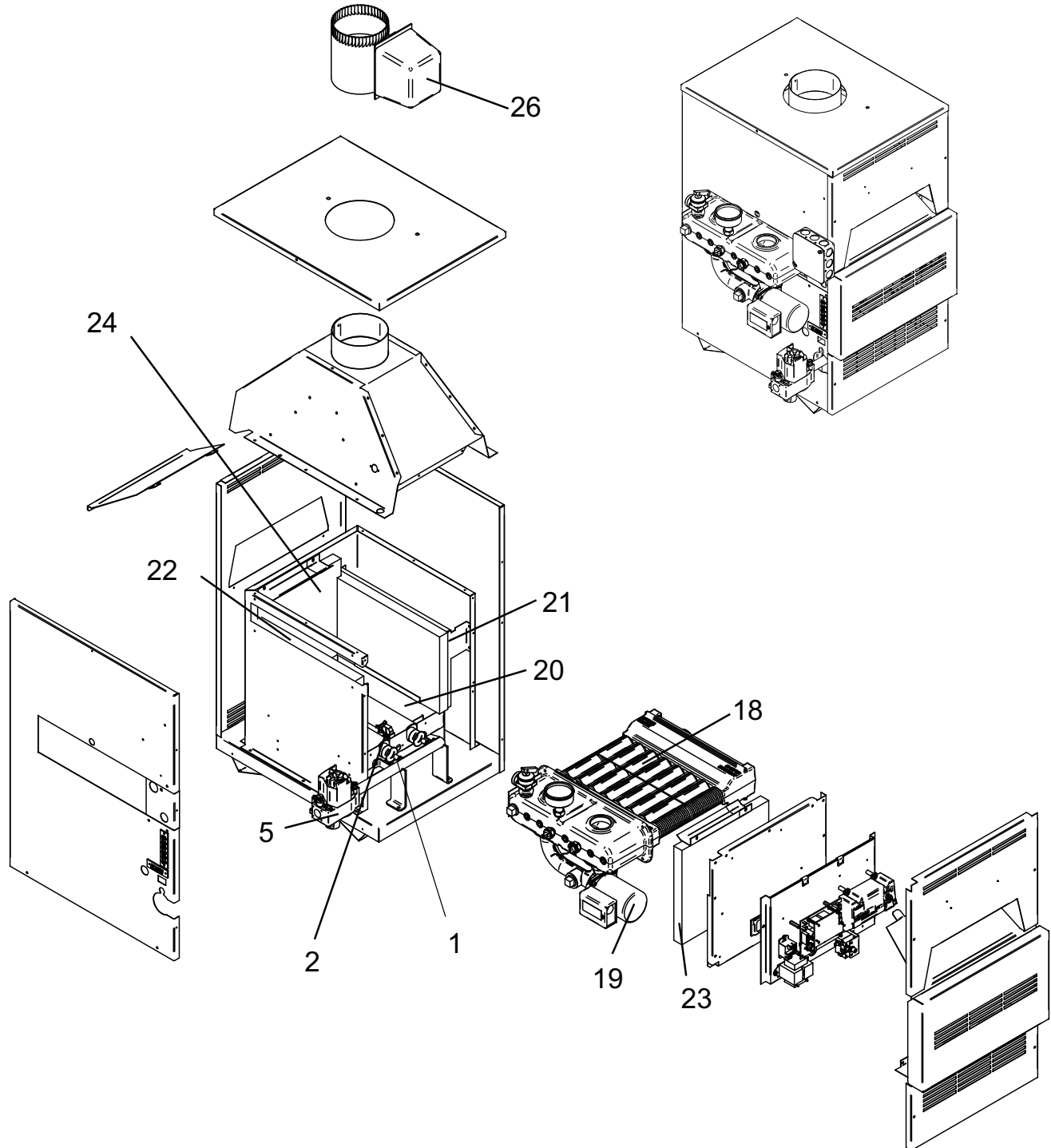




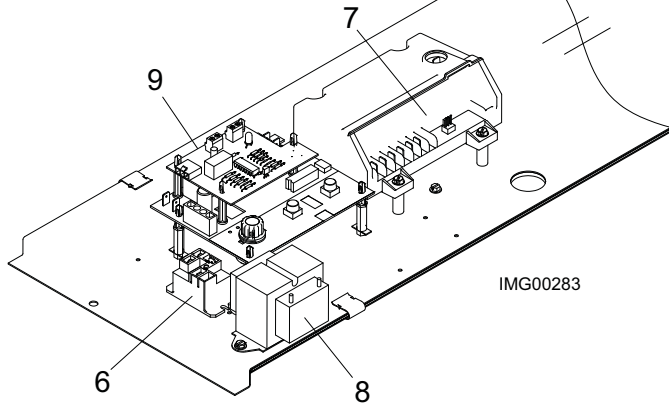
PARTS & SERVICE DEPARTMENT
Nashville, Tennessee
615-889-8900 • Fax: 615-882-2918
parts_team@lochinvar.com
www.Lochinvar.com

Replacement Parts List

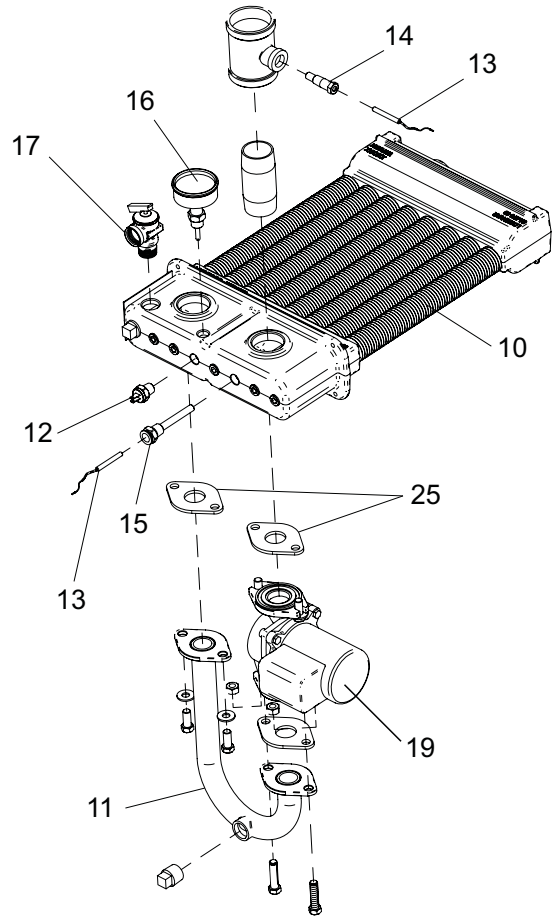
Solution Boilers CB 45-260



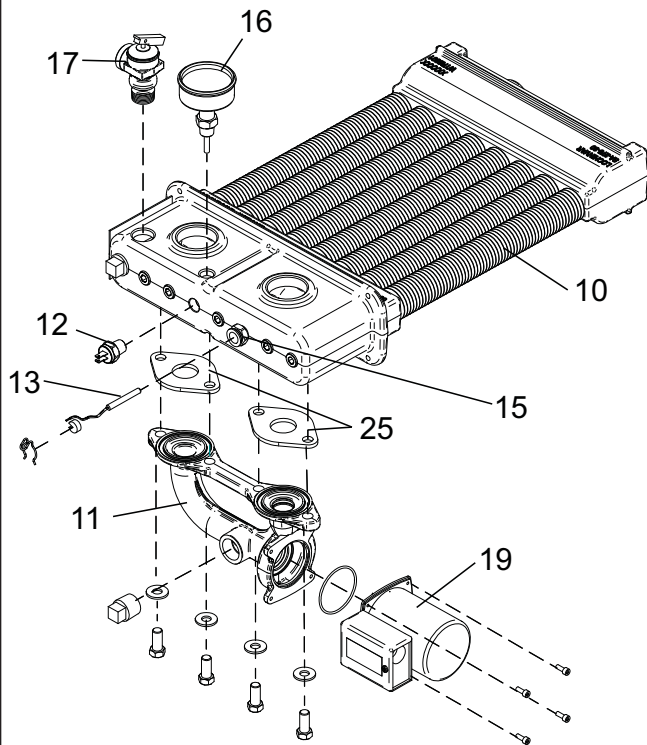
CONTROL PANEL



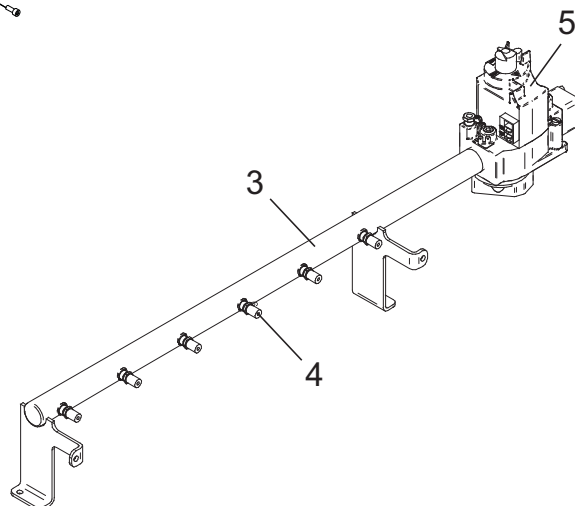
HEAT EXCHANGER ASSEMBLY PRIOR TO SERIAL #E10H00226216



HEAT EXCHANGER ASSEMBLY BEGINNING WITH SERIAL #E10H00226216



GAS TRAIN



ITEM NO.	PART NO.	DESCRIPTION	MODEL NO.
PILOT & BURNER ASSEMBLIES			
1	BNR2903	MAIN BURNER	ALL
2	PLT2303	PILOT, INTERMITTENT, NAT. M9	CBN045
2	PLT3303	PILOT, INTERMITTENT, LP. M9	CBL045
2	PLT2908	PILOT, INTERMITTENT, NAT. M9	CBN075-260
2	PLT2909	PILOT, INTERMITTENT, LP. M9	CBL075-260
3	MAN2934	GAS MANIFOLD	CB045
3	MAN2935	GAS MANIFOLD	CB075/090
3	MAN2936	GAS MANIFOLD	CB135
3	MAN2937	GAS MANIFOLD	CB180
3	MAN2938	GAS MANIFOLD	CB215
3	MAN2939	GAS MANIFOLD	CB260
4	ORF2419	ORIFICE, MAIN BNR. NAT.3.2MM	CB045-180
4	ORF2402	ORIFICE, MAIN BNR. LP 2.0MM	CB045-180
4	ORF2422	ORIFICE, MAIN BNR. NAT. 3.1MM	CB215-260
4	ORF2423	ORIFICE, MAIN BNR. LP. 1.9MM	CB215-260
GAS VALVES			
5	VAL2932	GAS VALVE, LPG. M9	CB045-135
5	VAL2933	GAS VALVE, LPG. M9	CB180-260
5	VAL2939	GAS VALVE, NAT. M9	CB045-135
5	VAL2940	GAS VALVE, NAT. M9	CB180-260
CONTROLS			
6	RLY2105	RELAY, PUMP	ALL
7	RLY2023	IGNITION MODULE	ALL
8	TRF2002	TRANSFORMER 50V.A.	ALL
9	TST2314	THERMOSTAT, TWO STAGE M9 PRIOR TO SERIAL I12	ALL
9	TST30017	THERMOSTAT, TWO STAGE M9 BEGINNING SERIAL I12	ALL
-	HLC2906	ROLLOUT SWITCH 200 DEG.	CB045
-	HLC2907	ROLLOUT SWITCH 220 DEG.	CB075
-	HLC2908	ROLLOUT SWITCH 280 DEG	CB215-260
-	HLC2903	ROLLOUT SWITCH 250 DEG.	CB090-180
-	HLC2906	SPILL SWITCH 200 DEG.	CB260
-	HLC2903	SPILL SWITCH 250 DEG.	CB090/135/215
-	HLC2907	SPILL SWITCH 220 DEG	CB045/075
-	HLC2908	SPILL SWITCH 280 DEG	CB180
HEAT EXCHANGERS			
10	HEX3857	HEAT EXCHANGER H	CB045
10	HEX3858	HEAT EXCHANGER H	CB075/090
10	HEX3859	HEAT EXCHANGER H	CB135
10	HEX3860	HEAT EXCHANGER H	CB180
10	HEX3861	HEAT EXCHANGER H	CB215
10	HEX3862	HEAT EXCHANGER H	CB260
11	BKP2074	BYPASS PIPE PRIOR TO SERIAL E10H00226216	ALL
11	WTR20010	BYPASS PIPE BEGINNING SERIAL E10H00226216	ALL
12	HLC2909	HIGH LIMIT	ALL
13	TST2032	THERMOSTAT SENSOR	ALL
14	TST2044	SENSOR BULB WELL PRIOR TO SERIAL B08	ALL
15	TST2306	SENSOR BULB WELL BEGINNING SERIAL B08	ALL
16	GTP2900	TRIOMETER GAUGE 75# PSI	ALL
17	RLV2005	RELIEF VALVE, PRESSURE 30 PSI	ALL
17	RLV2001	RELIEF VALVE, PRESSURE 50 PSI	ALL
18	JKR2059	V-BAFFLE	CB045
18	JKR2060	V-BAFFLE	CB075/090
18	JKR2061	V-BAFFLE	CB135
18	JKR2062	V-BAFFLE	CB180
18	JKR2179	V-BAFFLE	CB215
18	JKR2180	V-BAFFLE	CB260
PUMPS			
19	ARM3007PBF	PUMP, BOILER BYPASS PRIOR TO SERIAL E10H00226216	ALL
19	PUM20018	PUMP, BEGINNING SERIAL E10H00226216	ALL

PLEASE HAVE MODEL AND SERIAL NUMBER AVAILABLE WHEN ORDERING PARTS

ITEM NO.	PART NO.	DESCRIPTION	MODEL NO.
LOCH-HEAT® TILE			
20	FIB2963	INSULATION, BOTTOM	CB045
20	FIB2964	INSULATION, BOTTOM	CB075/090
20	FIB2965	INSULATION, BOTTOM	CB135
20	FIB2966	INSULATION, BOTTOM	CB180
20	FIB2967	INSULATION, BOTTOM	CB215
20	FIB2968	INSULATION, BOTTOM	CB260
21	FIB2973	LOCH-HEAT TILE, SIDE RIGHT	ALL
22	FIB2942	LOCH-HEAT TILE, SIDE LEFT	ALL
23	FIB2943	LOCH-HEAT TILE, FRONT	CB045
23	FIB2945	LOCH-HEAT TILE, FRONT	CB075/090
23	FIB2947	LOCH-HEAT TILE, FRONT	CB135
23	FIB2949	LOCH-HEAT TILE, FRONT	CB180
23	FIB2951	LOCH-HEAT TILE, FRONT	CB215
23	FIB2953	LOCH-HEAT TILE, FRONT	CB260
24	FIB2944	LOCH-HEAT TILE, BACK	CB045
24	FIB2946	LOCH-HEAT TILE, BACK	CB075/090
24	FIB2948	LOCH-HEAT TILE, BACK	CB135
24	FIB2950	LOCH-HEAT TILE, BACK	CB180
24	FIB2952	LOCH-HEAT TILE, BACK	CB215
24	FIB2954	LOCH-HEAT TILE, BACK	CB260
MISCELLANEOUS			
25	GKT2910	GASKET, PUMP FLANGE	ALL
-	TST2311	SENSOR, OUTDOOR AIR BEGINNING SERIAL I12	ALL
FLUE DAMPERS			
26	DRH2934	FLUE DAMPER - 4"	CB045
26	DRH2935	FLUE DAMPER - 5"	CB075/090
26	DRH2936	FLUE DAMPER - 6"	CB135
26	DRH2937	FLUE DAMPER - 7"	CB180/215
26	DRH2938	FLUE DAMPER - 8"	CB260
OPTIONS (NOT PICTURED)			
-	WTR2040	FLOW SWITCH	ALL
-	KIT3051	OUTDOOR AIR RESET PRIOR TO SERIAL I12	ALL
-	KIT3052	ADJUSTABLE MANUAL RESET HIGH LIMIT	ALL
-	WTR20004	LOW PRESSURE AUTO RESET LOW WATER CUT OFF	ALL
-	WTR20009	MANUAL RESET LOW WATER CUT OFF w/TEST	ALL
-	KIT3058	PUMP DELAY	ALL
-	LPK3937	NAT - LP CONVERSION KIT M9	CB045
-	LPK3915	NAT - LP CONVERSION KIT M9	CB075-135
-	LPK3916	NAT - LP CONVERSION KIT M9	CB180
-	LPK3940	NAT - LP CONVERSION KIT M9	CB215/260
PLEASE HAVE MODEL AND SERIAL NUMBER AVAILABLE WHEN ORDERING PARTS			