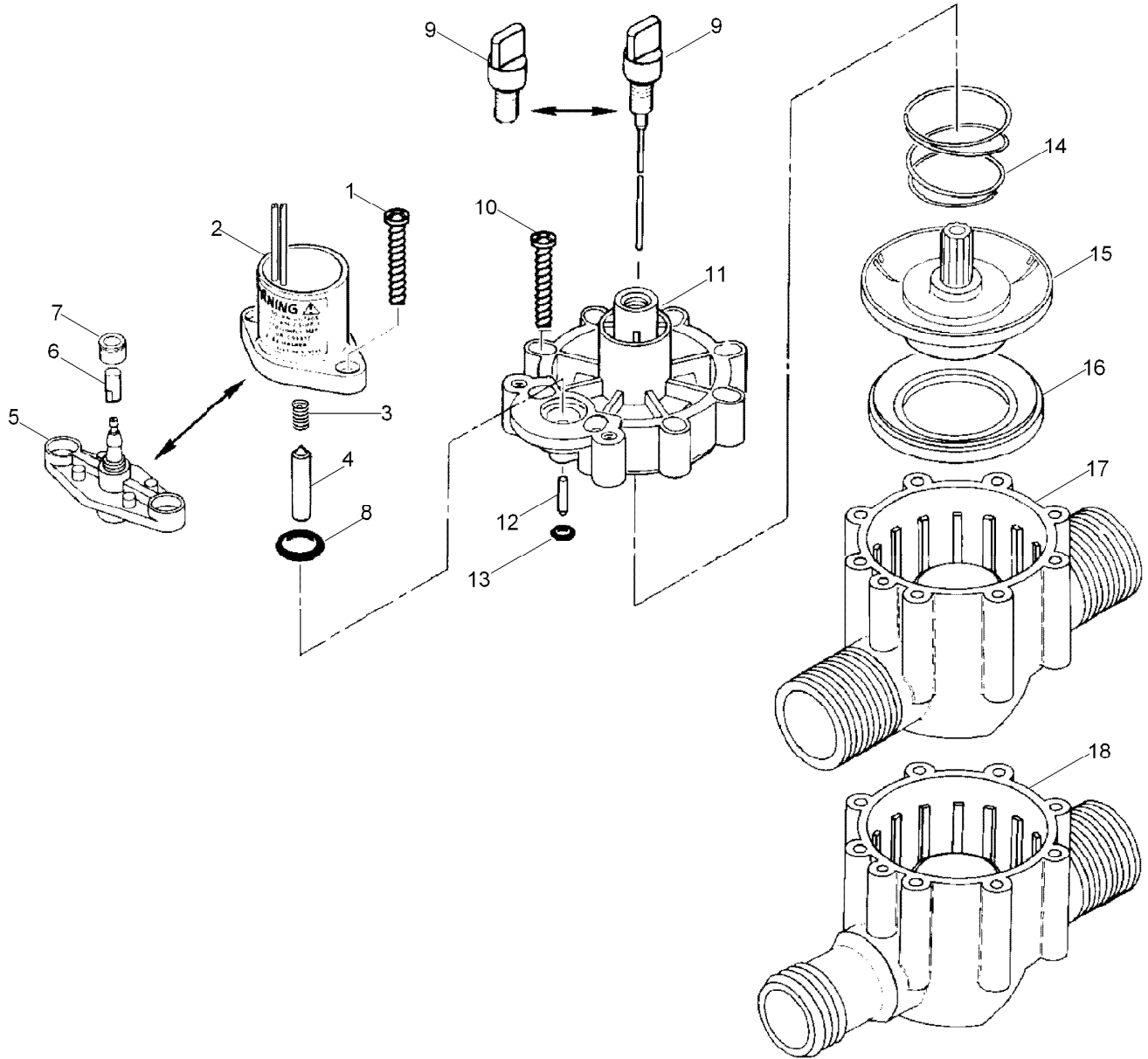


264 Series, 1 Inch Valve



264 Series, 1 Inch Valve (continued)

<i>Ref.</i>	<i>Part Number</i>	<i>Qty.</i>	<i>Description</i>	<i>Ref.</i>	<i>Part Number</i>	<i>Qty.</i>	<i>Description</i>
1	363-1493	2	Screw, #10 X 1	12	3-2016	1	Shaft, Idler, Lower, No And Pt
2		1	Solenoid Assy., EI (See Service Item 89-0878)▲	13	1-2035	1	O-Ring, EI, Pr And Cr (0.070" X 0.114" X 0.254") (As568-006)
3	9-6148	1	Spring-Plunger, Solenoid, EI	14	9-7110	1	Spring, Diaphragm, EI And No
4	9-6527	1	Plunger Assy., EI	15	35-2824	1	Diaphragm ASM, 1", EI
5	35-3776	1	Adapter Assy., No	15	35-2943	1	Diaphragm Assy., 1", No Hyd
6	89-8157	1	Cap, 1/4", Poly, No	16	9-6331	1	Support, Diaphragm
7	900-40	1	Retainer, Tube, Pr And Cr◆	17	9-8311	1	Body, M X M, 1", Npt
8	2-9652	1	O-Ring, 7/16" X 5/8", No (As568-111)	18		1	Body, M X B, 1", Npt▲
9		1	Bleed Screw, No▲		89-0878		Solenoid And Plunger Assy., EI (Includes Items 2-4)●■
9	35-2941	1	Bleed Screw Assy., EI, Fast-Closing		35-9354		Bleed Screw Assy., EI, Slow-Closing●■
10	363-4007	8	Screw, #10 X 1.25"				
11	9-8313	1	Cap, Valve W/O Fc, EI				
11	9-7291	1	Cap, Valve, W/O Fc, No And Pt				

● SERVICE ITEMS

▲ Not serviced separately

◆ Order Through Finished Goods Distribution System - Minneapolis

■ Not illustrated