

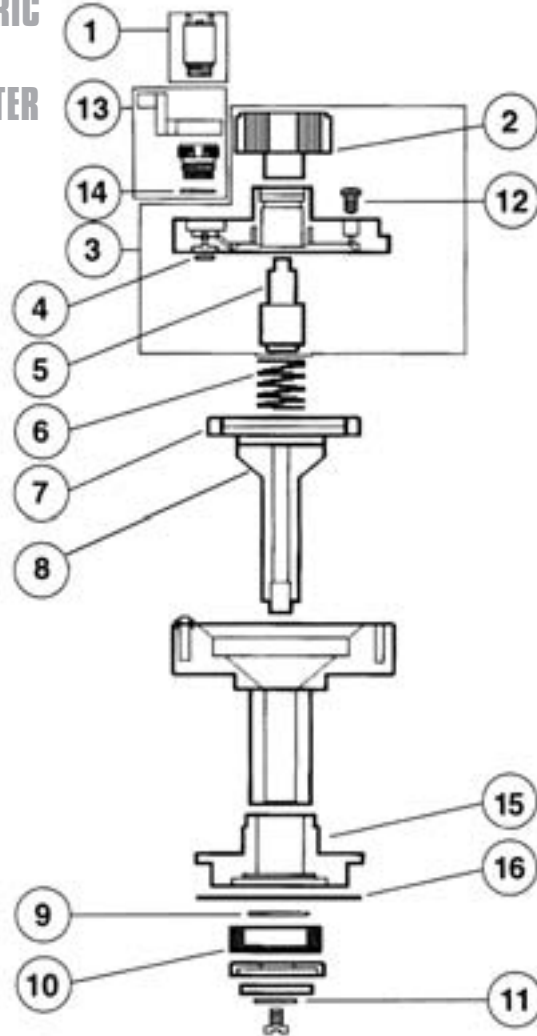
# VALVES

## 2623DPR

### SERIES ELECTRIC VALVE ADAPTER

#### MODEL NUMBERS:

- 2623DPR-.75
- 2623DPR-1



| REF.# | DESCRIPTION                      | 2623DPR-.75 | 2623DPR-1   |
|-------|----------------------------------|-------------|-------------|
|       |                                  | PART NO.    | PART NO.    |
| 1     | Solenoid Assembly, 24 VAC, 60 Hz | R811-24VACG | R811-24VACG |
| 1     | Solenoid Assembly, 24 VAC, 50 Hz | 588403      | 588403      |
| 2     | Flow Adjust Knob                 | 100227-H    | 100227-H    |
| 3     | Cover Assembly                   | 636201      | 636201      |
| 4     | O-Ring                           | 121001      | 121001      |
| 5     | Flow Adjustment Assembly         | 148201      | 148201      |
| 6     | Spring                           | R153201     | R153201     |
| 7     | Diaphragm Kit                    | 149601      | 149601      |
| 8     | Diaphragm Stem Assembly          | 636302      | 573601      |
| 9     | O-Ring                           | R725401     | R725401     |
| 10    | Retainer Nut                     | 102-2033    | 102-2033    |
| 11    | Bib Washer                       | 156001      | 156201      |
| 12    | Bleed Screw                      | 100229      | 100229      |
| 13    | Manual Bleed Assembly            | R606902     | R606902     |
| 14    | O-Ring                           | R1631       | R1631       |
| 15    | GEE Adapter Nut                  | 846001      | 845701      |
| 16    | Gasket, Nut                      | 623-27      | 623-26      |