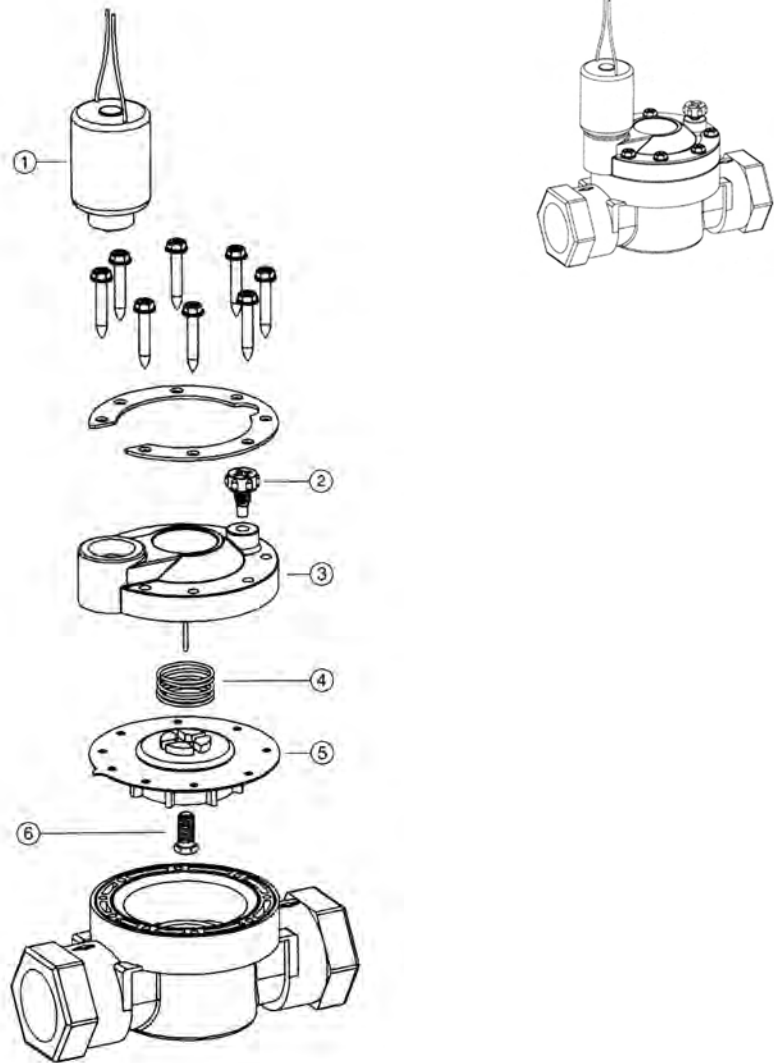


# VALVES

## 205 SERIES ELECTRIC GLOBE

### MODEL NUMBERS:

- 205S
- 205T



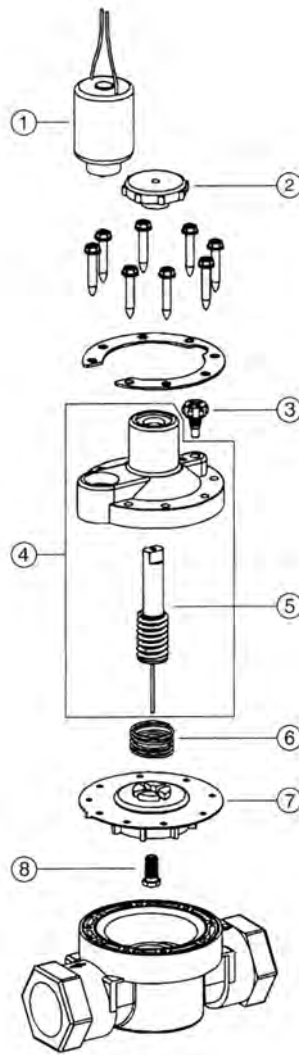
REF.#	DESCRIPTION	205S	205T
		PART NUMBERS	PART NUMBERS
1	Solenoid Assembly, 24 VAC, 60 Hz	R811-24VACG	R811-24VACG
1	Solenoid Assembly, 24 VAC, 50 Hz	588403	588403
2	Bleed Screw	100229	100229
3	Cover Assembly Flow Adjust	100272	100272
4	Spring	100231-H	100231-H
5	Diaphragm Assembly	100232-H	100232-H
6	Diaphragm Screw	R544101	R544101
9	Cover/Diaphragm Assembly Kit (includes screws and spring)	R205KIT	R205KIT

# VALVES

## 205 SERIES ELECTRIC GLOBE

### MODEL NUMBERS:

- 205SF
- 205TF



REF.#	DESCRIPTION	205SF	205TF
		PART NUMBERS	PART NUMBERS
1	Solenoid Assembly, 24 VAC, 60 Hz	R811-24VACG	R811-24VACG
1	Solenoid Assembly, 24 VAC, 50 Hz	588403	588403
2	Flow Adjust Knob	100227-H	100227-H
3	Bleed Screw	100229	100229
4	Cover Assembly Flow Adjust	100273-H	100273-H
5	Flow Shaft Assembly	100230	100230
6	Spring	100231-H	100231-H
7	Diaphragm Assembly	100232-H	100232-H
8	Diaphragm Screw	R544101	R544101
9	Cover/Diaphragm Assembly Kit (includes screws and spring)	R205TFKIT	R205TFKIT