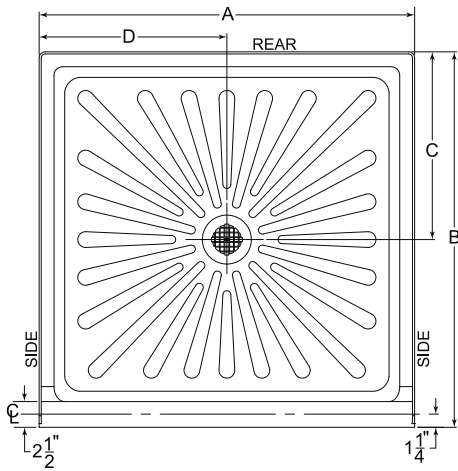


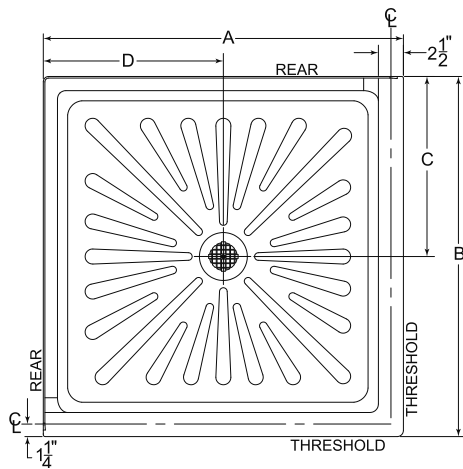
ROUGH-IN DIMENSIONS: Dimensiones preliminares • Schéma de montage

SQUARE – RECTANGULAR MODELS CUADRADO – MODELOS RECTANGULARES CARRÉ – MODÈLES RECTANGULAIRES



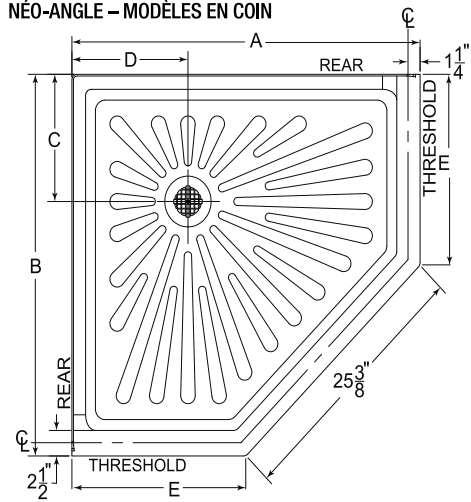
MODEL NO.	NOMINAL SIZE	A	B	C	D
3232M	32" x 32" (812.8) x (812.8)	32" (812.8)	32" (812.8)	16" (406.4)	16" (406.4)
3248M	32" x 48" (812.8) x (1219.2)	48" (1219.2)	32" (812.8)	16" (406.4)	24" (609.6)
3254M	32" x 54" (812.8) x (1371.6)	54" (1371.6)	32" (812.8)	16" (406.4)	27" (685.8)
3260M	32" x 60" (812.8) x (1524)	60" (1524)	32" (812.8)	16" (406.4)	30" (762)
3434M	34" x 34" (863.6) x (863.6)	34" (863.6)	34" (863.6)	17" (431.8)	17" (431.8)
3442M	34" x 42" (863.6) x (1066.8)	42" (1066.8)	34" (863.6)	17" (431.8)	21" (533.4)
3448M	34" x 48" (863.6) x (1219.2)	48" (1219.2)	34" (863.6)	17" (431.8)	24" (609.6)
3454M	34" x 54" (863.6) x (1371.6)	54" (1371.6)	34" (863.6)	17" (431.8)	27" (685.8)
3460M	34" x 60" (863.6) x (1524)	60" (1524)	34" (863.6)	17" (431.8)	30" (762)
3636M	36" x 36" (914.4) x (914.4)	36" (914.4)	36" (914.4)	18" (457.2)	18" (457.2)
3642M	36" x 42" (914.4) x (1066.8)	42" (1066.8)	36" (914.4)	21" (533.4)	18" (457.2)
3648M	36" x 48" (914.4) x (1219.2)	48" (1219.2)	36" (914.4)	18" (457.2)	24" (609.6)
3660M	36" x 60" (914.4) x (1524)	60" (1524)	36" (914.4)	18" (457.2)	30" (762)
4236M	42" x 36" (1066.8) x (914.4)	36" (914.4)	42" (1066.8)	21" (533.4)	18" (457.2)
4242M	42" x 42" (1066.8) x (1066.8)	42" (1066.8)	42" (1066.8)	21" (533.4)	21" (533.4)
*4848M	48" x 48" (1219.2) x (1219.2)	48" (1219.2)	48" (1219.2)	24" (609.6)	24" (609.6)

DOUBLE THRESHOLD – CORNER MODELS UMBRAL DOBLE – MODELOS DE ESQUINA DOUBLE PAS DE PORTE – MODÈLES EN COIN



MODEL NO.	NOMINAL SIZE	A	B	C	D
3434DTM	34" x 34" (863.6) x (863.6)	34" (812.8)	34" (863.6)	17" (431.8)	17" (431.8)
3636DTM	36" x 36" (914.4) x (914.4)	36" (914.4)	36" (914.4)	18" (457.2)	18" (457.2)

NEO-ANGLE THRESHOLD – CORNER MODELS UMBRAL PENTAGONAL – MODELOS DE ESQUINA NÉO-ANGLE – MODÈLES EN COIN



MODEL NO.	NOMINAL SIZE	A	B	C	D	E
3636CM	36" x 36" (914.4) x (914.4)	36" (914.4)	36" (914.4)	12" (304.8)	12" (304.8)	18" (457.2)
3838CM	38" x 38" (965.2) x (965.2)	38" (965.2)	38" (965.2)	12" (304.8)	12" (304.8)	20" (508)
4242CM	42" x 42" (1066.8) x (1066.8)	42" (1066.8)	42" (1066.8)	12" (304.8)	12" (304.8)	24" (609.6)

***Square Strainer Only**
Rejilla cuadrada únicamente
Crépine carrée seulement

ROUGH-IN TOLERANCE

(Per ANSI-Z124.2-2005, Ref. Section 2.2)

TOLERANCIA PRELIMINAR • TOLÉRANCE DU SCHÉMA DE MONTAGE

Dimensión Dimension	Más Plus	Menos Moindre
Dimension "A"	Plus 0"	Minus 1/4" (6.35)
Dimension "B"	Plus 0"	Minus 1/4" (6.35)