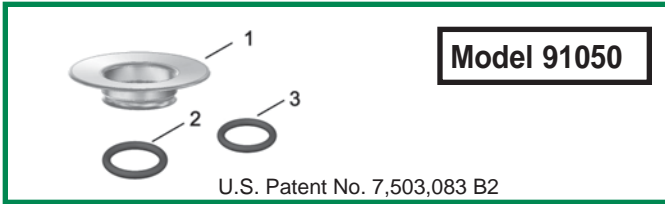
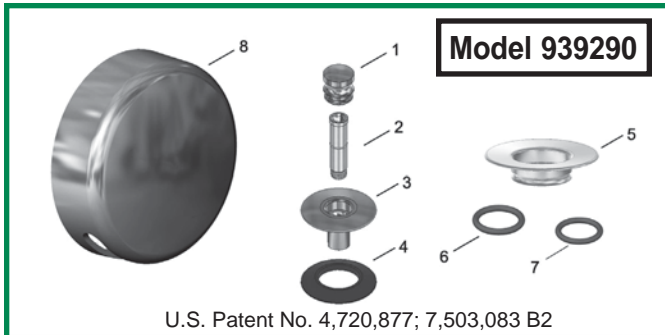


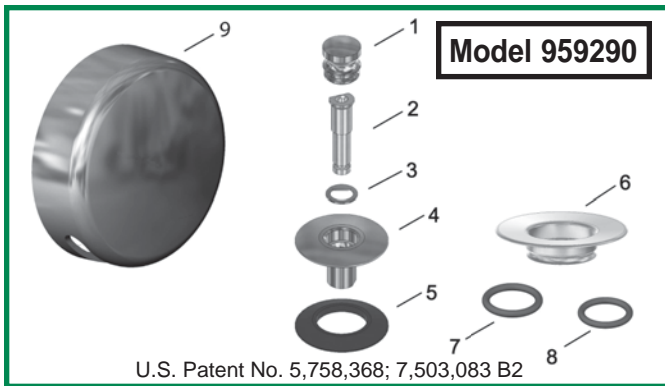
# QuickTrim™ Kits Parts Lists



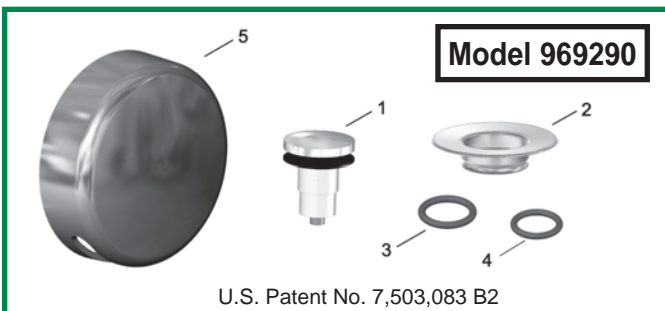
Item	Part #	Strainer Body Cover
1.	01050CP	..... <b>QuickTrim™</b> Strainer Body Cover
2.	11138	..... <b>QuickTrim™</b> O-Ring (thick) for brass bodies
3.	11136	..... <b>QuickTrim™</b> O-Ring (thin) for zinc bodies



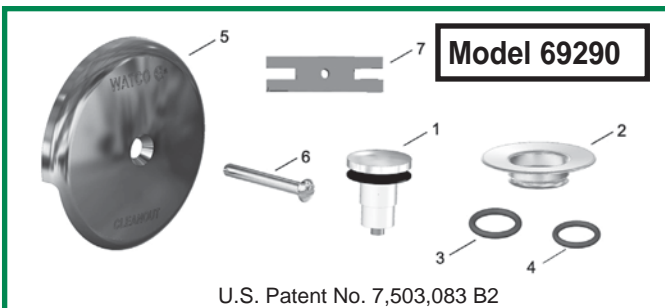
Item	Part #	PUSH PULL® Innovator® Trim Kit
1.	01010CP	..... PUSH PULL® Knob, Brass
2.	11510	..... Friction Ring (11505) and Post (11532)
3.	01013CP	..... Stopper, Brass
4.	11507	..... Seal, 1 1/16" dia.
5.	01050CP	..... <b>QuickTrim™</b> Strainer Body Cover
6.	11138	..... <b>QuickTrim™</b> O-Ring (thick) for brass bodies
7.	11136	..... <b>QuickTrim™</b> O-Ring (thin) for zinc bodies
8.	01004CP	..... Snap-on Overflow Plate, Innovator®



Item	Part #	LIFT AND TURN Innovator® Trim Kit
1.	01010CP	..... PUSH PULL® Knob, Brass
2.	11079	..... Lift and Turn "D" Pin, full length
3.	11088	..... Lift and Turn "D" Ring
4.	11290CP	..... PUSH PULL® Stopper, Plastic, <u>Chrome</u>
	01013	..... PUSH PULL® Stopper, Metal, <u>Finishes</u>
5.	11507	..... Seal, 1 1/16" dia
6.	01050CP	..... <b>QuickTrim™</b> Strainer Body Cover
7.	11138	..... <b>QuickTrim™</b> O-Ring (thick) for brass bodies
8.	11136	..... <b>QuickTrim™</b> O-Ring (thin) for zinc bodies
9.	01004CP	..... Snap-on Overflow Plate, Innovator®



Item	Part #	Foot Actuated Innovator® Trim Kit
1.	38412CP	..... Foot Actuated Replacement Stopper, 3/8" pin
2.	01050CP	..... <b>QuickTrim™</b> Strainer Body Cover
3.	11138	..... <b>QuickTrim™</b> O-Ring (thick) for brass bodies
4.	11136	..... <b>QuickTrim™</b> O-Ring (thin) for zinc bodies
5.	01004CP	..... Snap-on Overflow Plate, Innovator®



Item	Part #	Foot Actuated 1-Hole Trim Kit*
1.	38412CP	..... Foot Actuated Replacement Stopper, 3/8" pin
2.	01050CP	..... <b>QuickTrim™</b> Strainer Body Cover
3.	11138	..... <b>QuickTrim™</b> O-Ring (thick) for brass bodies
4.	11136	..... <b>QuickTrim™</b> O-Ring (thin) for zinc bodies
5.	01002CP**	..... Overflow Plate, 1-Hole, metal
6.	01024CP	..... Overflow Plate Screw, 2.25"
7.	11641	..... Adapter Bar

\*All 1-hole trim kits are available in 2-hole trim kits. Add "2H" to end of part number (example: 69290-CP-2H).

\*\* 01003CP Overflow Plate, 2-hole, metal