

DL-1 DROP-IN SINK®

Fiat Products uses a specialized SMC process (Molded Stone®) to manufacture all laundry tubs. Moldings are manufactured in matched metal dies under heat and pressure resulting in a one-piece homogeneous molded unit. Drain(s) with stopper(s) are furnished as standard equipment. Water capacity is twenty (20) gallons. Laundry sinks available in white only.

- All products must be installed in accordance with installation instructions provided. Failure to do so may invalidate warranty at manufacturer's discretion.

DL-1 Drop-In Sink®

- Designed for a countertop installation.
- Self-rimming flange, four locking corner bars and screws for fast tightening into integral molded mounting legs and against the underside of the countertop. (Included)

Nominal Dimensions:

Overall Outside Dimensions:

25" x 24-1/2" x 13-7/8" (635 x 622 x 330mm)

Inside Compartment dimensions

22" x 17" x 13" (562 x 432 x 330mm)

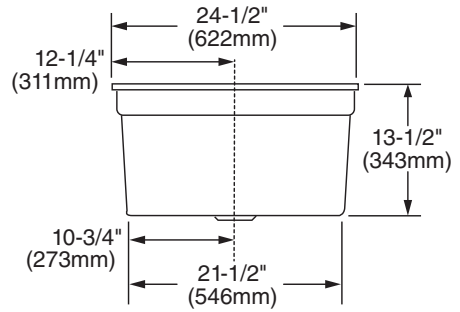
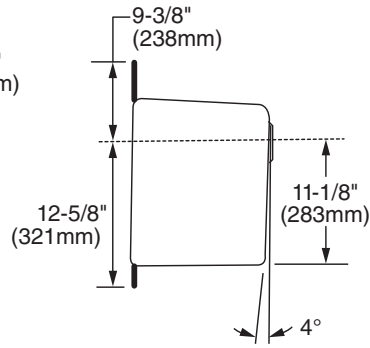
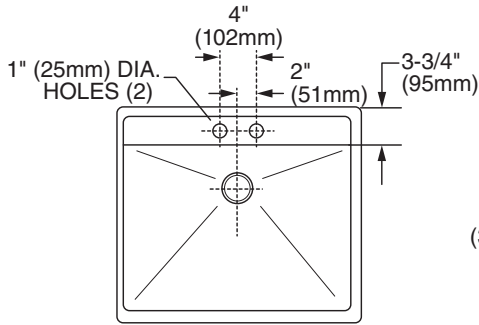
All products are cUPC listed
CSA Approved



DL-1 Drop-In-Sink®

SEE REVERSE FOR ROUGHING-IN DIMENSIONS

**MODEL DL-1
DROP-IN**



IMPORTANT: Roughing-in dimensions may vary 1/2" and are subject to change or cancellation without prior notice.