

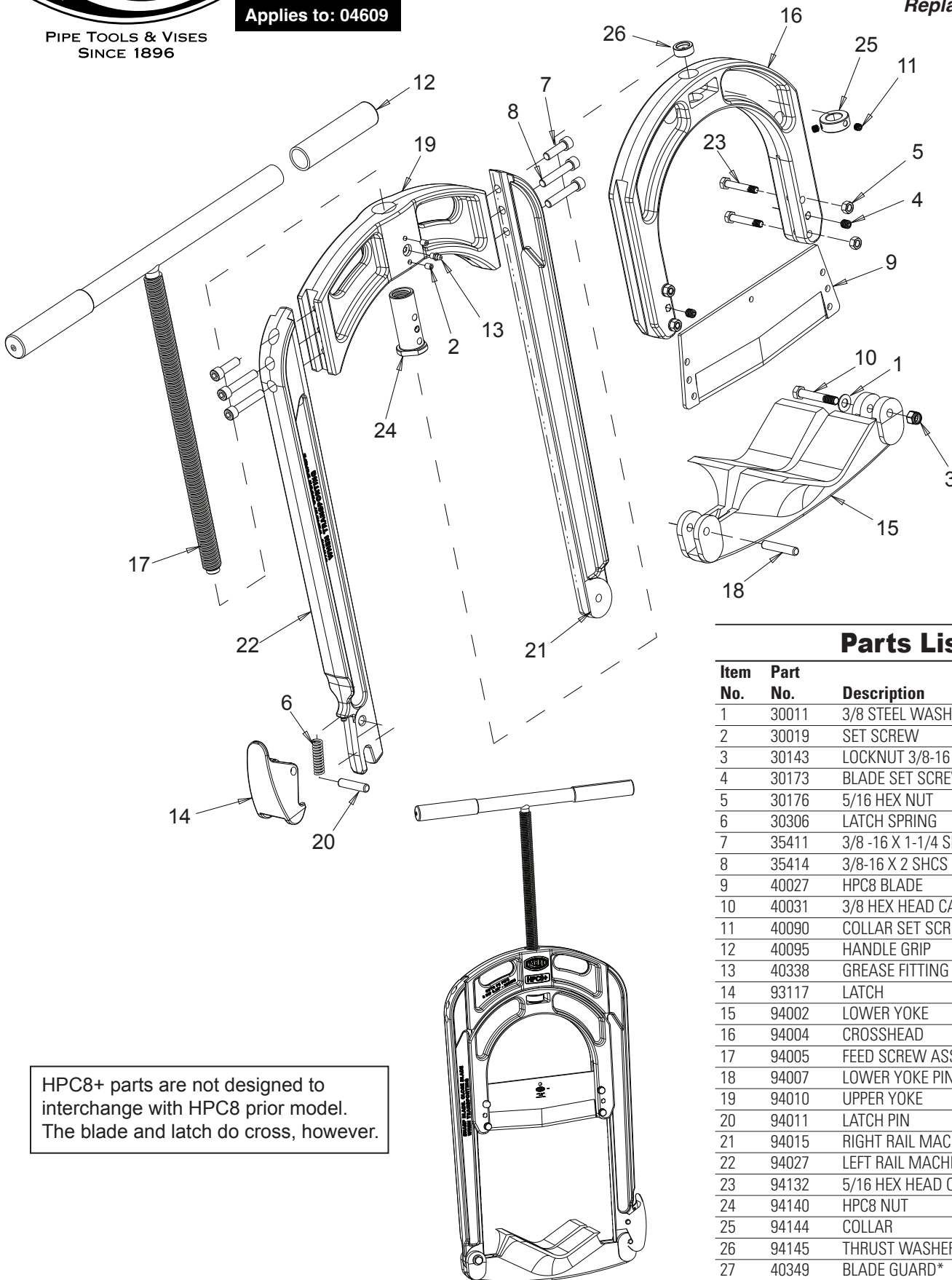


PIPE TOOLS & VISES
SINCE 1896

Applies to: 04609

Guillotine Pipe Cutter HPC8+

Replacement Parts



Parts List

| Item No. | Part No. | Description | Qty. |
|----------|----------|-------------------------|------|
| 1 | 30011 | 3/8 STEEL WASHER | 1 |
| 2 | 30019 | SET SCREW | 2 |
| 3 | 30143 | LOCKNUT 3/8-16 | 1 |
| 4 | 30173 | BLADE SET SCREW | 2 |
| 5 | 30176 | 5/16 HEX NUT | 4 |
| 6 | 30306 | LATCH SPRING | 1 |
| 7 | 35411 | 3/8 -16 X 1-1/4 SHCS | 2 |
| 8 | 35414 | 3/8-16 X 2 SHCS | 4 |
| 9 | 40027 | HPC8 BLADE | 1 |
| 10 | 40031 | 3/8 HEX HEAD CAP SCREW | 1 |
| 11 | 40090 | COLLAR SET SCREW | 2 |
| 12 | 40095 | HANDLE GRIP | 2 |
| 13 | 40338 | GREASE FITTING | 1 |
| 14 | 93117 | LATCH | 1 |
| 15 | 94002 | LOWER YOKE | 1 |
| 16 | 94004 | CROSSHEAD | 1 |
| 17 | 94005 | FEED SCREW ASSEMBLY | 1 |
| 18 | 94007 | LOWER YOKE PIN | 1 |
| 19 | 94010 | UPPER YOKE | 1 |
| 20 | 94011 | LATCH PIN | 1 |
| 21 | 94015 | RIGHT RAIL MACHINED | 1 |
| 22 | 94027 | LEFT RAIL MACHINED | 1 |
| 23 | 94132 | 5/16 HEX HEAD CAP SCREW | 4 |
| 24 | 94140 | HPC8 NUT | 1 |
| 25 | 94144 | COLLAR | 1 |
| 26 | 94145 | THRUST WASHER | 1 |
| 27 | 40349 | BLADE GUARD* | 1 |

HPC8+ parts are not designed to interchange with HPC8 prior model. The blade and latch do cross, however.

*not shown

Reed Manufacturing
1425 West 8th Street
Erie, PA 16502 USA



Phone: 800-666-3691 or +1 814-452-3691
reedsales@reedmfgco.com
www.reedmfgco.com