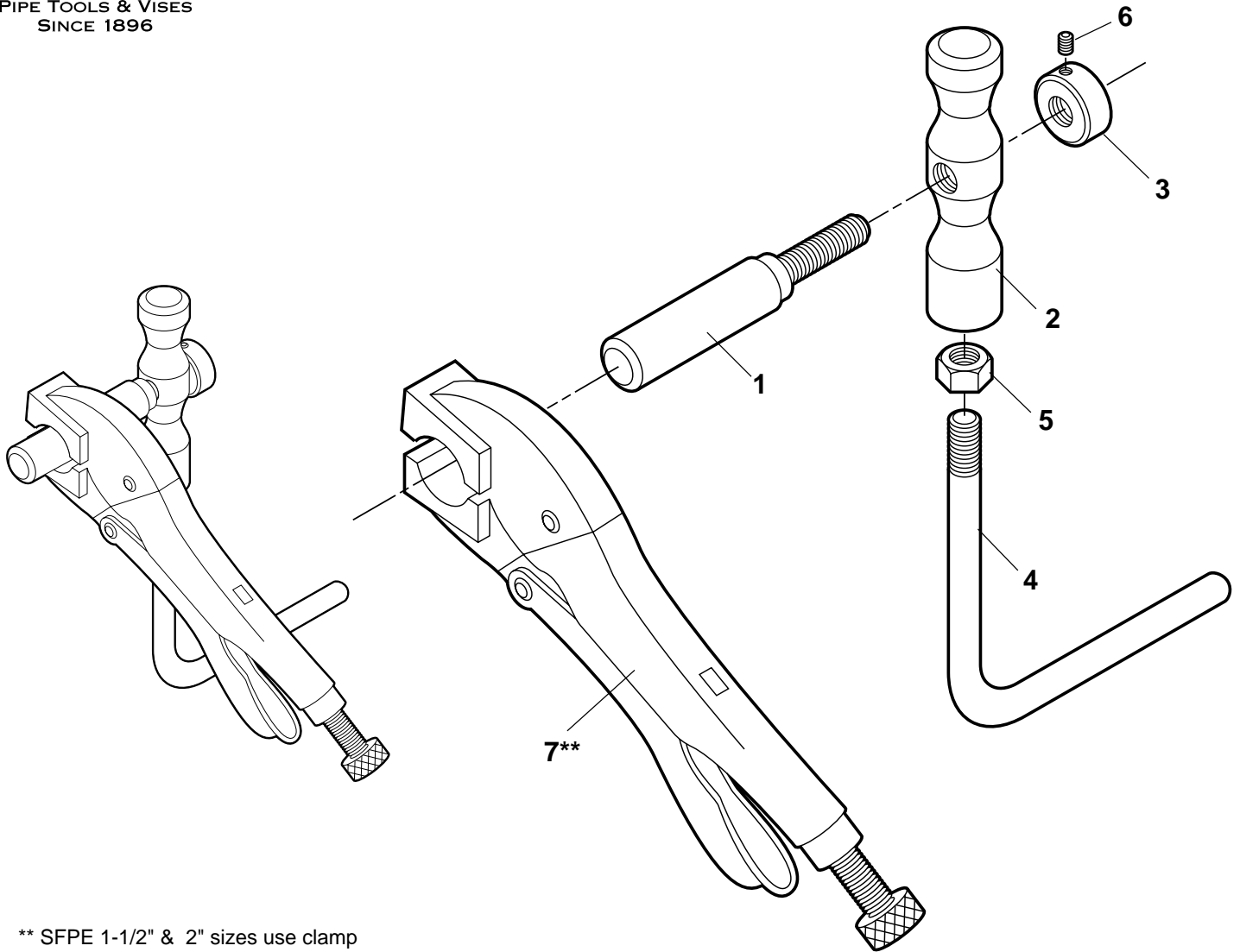




PIPE TOOLS & VISES
SINCE 1896

Flare Tools for Plastic Water Service Lines

Replacement Parts



** SFPE 1-1/2" & 2" sizes use clamp assemblies in place of the pliers. See reference chart for clamp item codes.

Parts List

Ref. No.	Description	SFPE 3/4	SFPE 1	SFPE 1- 1/4*	SFPE 1- 1/2	SFPE 2	Qty
		#04200 Item Code	#04202 Item Code	#04204 Item Code	04206 Item Code	#04208 Item Code	
1	Pilot Plug	94260	94261	94063	94263	94264	1
2	Flare Head	94056	94059	94060	94064	94065	1
3	Locknut	94058	94062	94062	94062	94062	1
4	Handle	94057	94057	94061	94061	94061	1
5	Jam Nut	30050	30050	30050	30050	30050	1
6	Set Screw	30094	30094	30094	30094	30094	1
7	Plier or Clamp Assembly	94066	94068	94070	94230	94240	1

* Discontinued — parts may be available.

Reed Manufacturing Company
1425 West 8th St.
Erie, PA 16502 USA



Phone: 800-666-3691 or 814-452-3691
Fax: 800-456-1697 or 814-455-1697

RP-202-71