



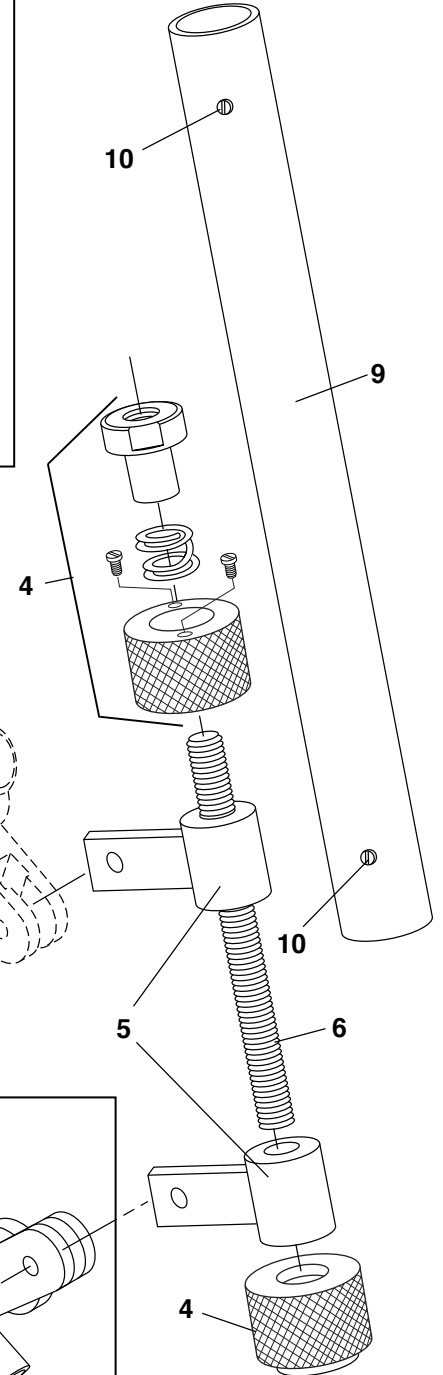
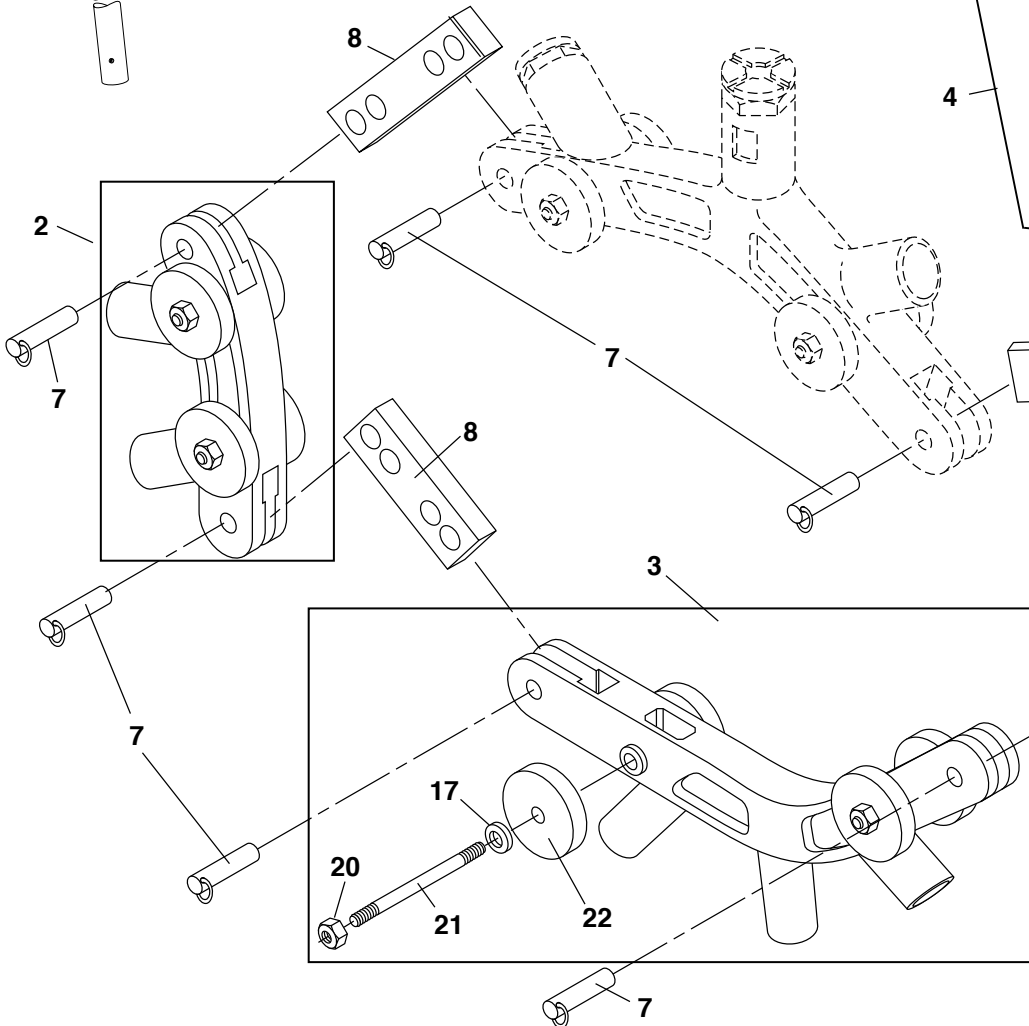
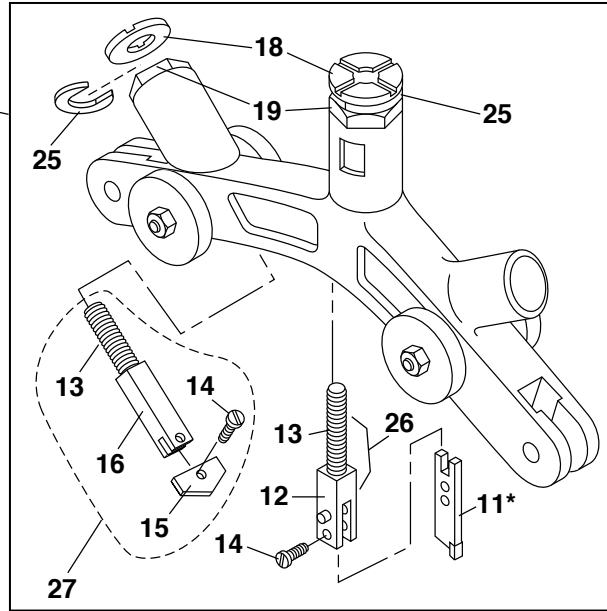
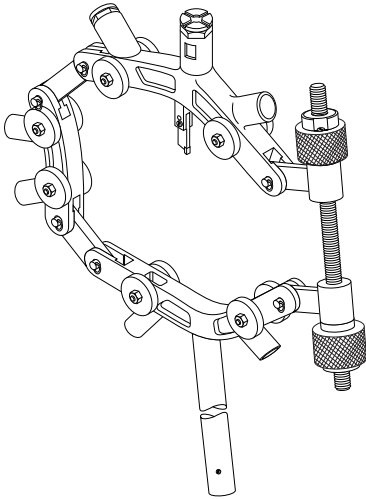
PIPE TOOLS & VISES
SINCE 1896

PLAS In-Line Rotary™ Cutter

Replacement Parts

APPLIES TO: 04470, 04474, 04475,
04477, 04480, 04483, 04485, 04487

PLAS1 shown



Reed Manufacturing
1425 West 8th Street
Erie, PA 16502 USA

QUALITY
& Service
that Last a Lifetime

Phone: 800-666-3691 or +1-814-452-3691
reedsales@reedmfgco.com
www.reedmfgco.com

RP-0521-18



PIPE TOOLS & VISES
SINCE 1896

PLAS Cutter for Large Diameter Pipe

Replacement Parts

Parts List

| Ref. No. | Description | Item Code | Discontinued | Quantity Used | | | |
|----------|----------------------------------|-----------|--------------|---------------|-------|-------|-------|
| | | | PLAS0 | PLAS1 | PLAS2 | PLAS3 | PLAS4 |
| 1 | "A" Section Assembly | 04471 | 1 (04472) | 1 | 0 | 0 | 0 |
| 2 | "B" Section Assembly | 04476 | 0 | 1 | 1 | 1 | 1 |
| 3 | "C" Section Assembly | 04481 | 1 (04482) | 1 | 2 | 3 | 4 |
| 1 | "D" Section Assembly | 04486 | 0 | 0 | 1 | 1 | 1 |
| 4 | Adjusting Nut Assembly | 94468 | 2 | 2 | 2 | 2 | 2 |
| 5 | Adjusting Pivot Assembly | 94085 | 2 | 2 | 2 | 2 | 2 |
| 6 | Main Screw | 94088 | 1 | 1 | 1 | 1 | 1 |
| 7 | Quick Pin | 94477 | 4 | 6 | 8 | 10 | 12 |
| 8 | Pivot Link | 94075 | 1 | 2 | 3 | 4 | 5 |
| 9 | Handle | 94475 | 1 | 1 | 1 | 1 | 1 |
| 10 | Handle Screw | 30172 | 2 | 2 | 2 | 2 | 2 |
| 11 | PVC Cut-off Blade* | 94537 | 1 | 1 | 1 | 1 | 1 |
| | PE Cut-off Blade* | 94485 | 1 | 1 | 1 | 1 | 1 |
| 12 | Cutoff Blade Holder | 94481 | 1 | 1 | 1 | 1 | 1 |
| 13 | Long Threaded Rod | 94484 | 2 | 2 | 2 | 2 | 2 |
| 14 | Threaded Pin | 93428 | 2 | 2 | 2 | 2 | 2 |
| 15 | Bevel Blade † | 94473 | 1 | 1 | 1 | 1 | 1 |
| 16 | Bevel Blade Holder † | 94480 | 0 | 1 | 1 | 1 | 1 |
| 17 | Roller Washer | 30111 | 8 | 12 | 16 | 20 | 24 |
| 18 | Threaded Bushing | 94487 | 2 | 2 | 2 | 2 | 2 |
| 19 | Threaded Liner | 94488 | 2 | 2 | 2 | 2 | 2 |
| 20 | Flex Loc Nut | 30143 | 8 | 12 | 16 | 20 | 24 |
| 21 | Roller Pin | 97536 | 4 | 6 | 8 | 10 | 12 |
| 22 | Roller Assembly | 94181 | 8 (97537)** | 12 | 16 | 20 | 24 |
| 23 | Tool Box | 40364 | 1 | 0 | 0 | 0 | 0 |
| 24 | Long Pivot Link | 94493 | 1 | 0 | 0 | 0 | 0 |
| 25 | Retainer | 94489 | - | 2 | 2 | 2 | 2 |
| 26 | Cut-off Blade Holder Assembly*** | 94466 | 1 | 1 | 1 | 1 | 1 |
| 27 | PLAS Bevel Blade Assembly † | 94472 | 1 | 1 | 1 | 1 | 1 |

*Depending on pipe being cut, use PVC or PE cutoff blade.

**AO and CO sections for PLAS0 feature larger, 4" rollers.

***94466 Assembly contains 30191 Roll Pin, 94481 & 94484

† Included with 04470, 04475, 04480, 04485