



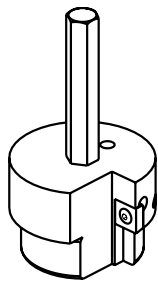
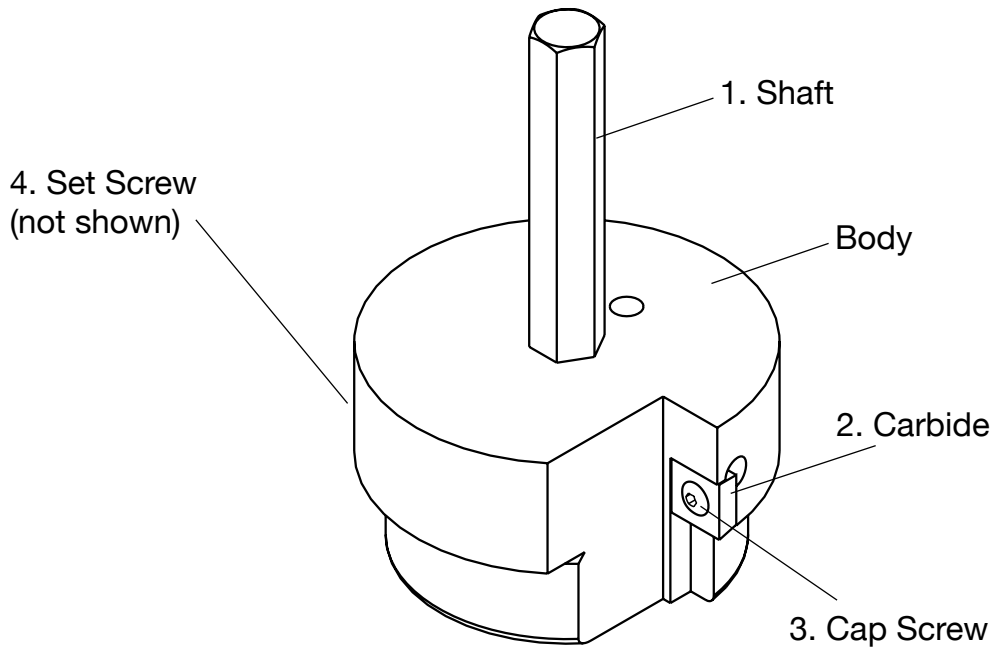
PIPE TOOLS & VISES
SINCE 1896

Clean Ream Extreme® Plastic Pipe Fitting Reamers

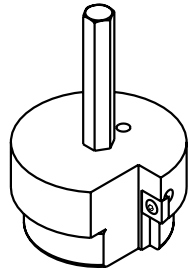
Replacement Parts

PPR75, PPR100, PPR125, PPR150, PPR200, PPR250, PPR300, PPR400

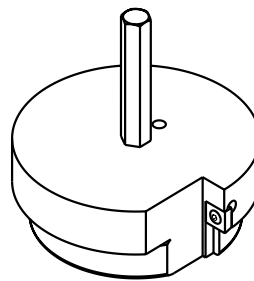
Applies to: 04520, 04521,
04522, 04523, 04524,
04525, 04526, 04527,
04528, 04529, 04532



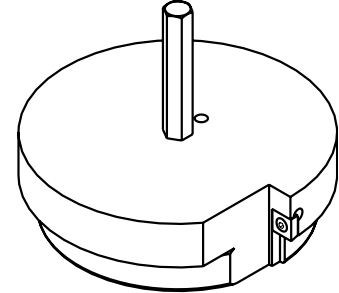
1 1/2"



2"



3"



4"

WARNING: 3" and 4" fitting borers create a large reaction torque that can cause injury to operator. Use caution when using these tools. A standard 1/2", right angle drill is recommended.

Note: Carbide insert has four cutting edges. Change cutting edge by removing the cap screw and rotating the carbide 180° then reinsert cap screw and tighten.

Parts List

| Ref. No. | Description | 3/4" - 1" | | Qty. |
|----------|---------------------|-----------|-----------|------|
| | | Item Code | Item Code | |
| 1 | SHAFT | 44525 | 44524 | 1 |
| 2 | CARBIDE | 24523 | 24524 | 1 |
| 3a | 8-32 CAP SCREW | — | 24525 | 1 |
| 3b | 4-40 CAP SCREW | 24522 | — | 1 |
| 4 | 1/4" - 20 SET SCREW | 30087 | 30087 | 1 |

Reed Manufacturing
1425 West 8th Street
Erie, PA 16502 USA



Phone: 800-666-3691 or +1-814-452-3691
reedsales@reedmfgco.com
www.reedmfgco.com

RP-0921-103
See Also: 54521