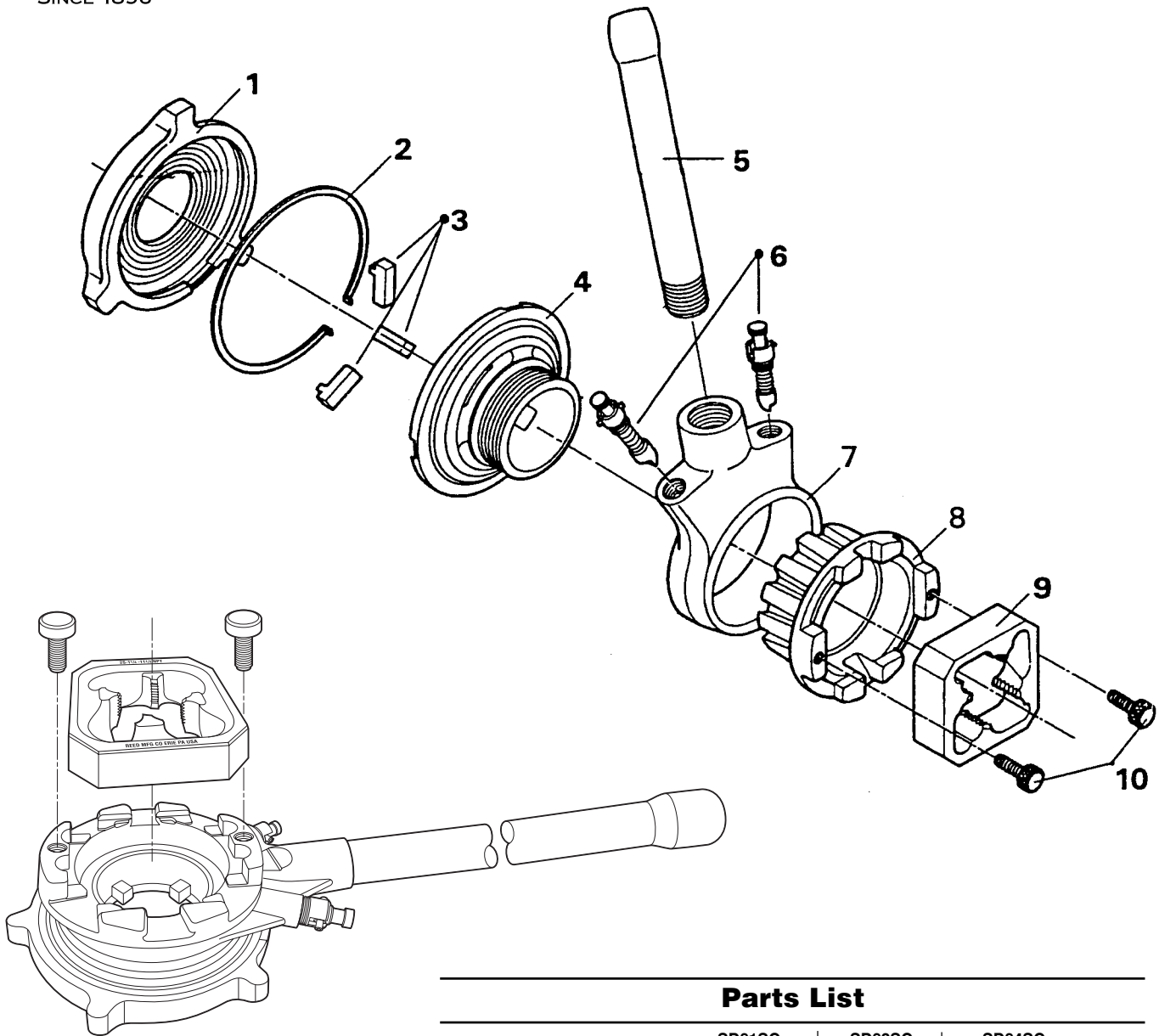




PIPE TOOLS & VISES
SINCE 1896

Solid Die, Threader Sets Adjustable Guide (SD81, SD82 & SD84)

Replacement Parts



Parts List

| Ref. | Description | SD81SC Item Code | SD82SC Item Code | SD84SC Item Code | Qty. |
|------|--------------------|--|---------------------|---------------------|------|
| 1 | Scroll Plate | 95043 | 95049 | 95058 | 1 |
| 2 | Retaining Ring | 40481 | 40482 | 40484 | 1 |
| 3 | Guide Jaw Set | 95120 | 95121 | 95122 | 1 |
| 4 | Guide Body | 95044 | 95050 | 95059 | 1 |
| 5 | Handle | 97218 | 97219 | 97219 | 1 |
| 6 | Pawl Assembly | 96191 | 96191 | 96191 | 2 |
| 7 | Ratchet Ring | 95041 | 95047 | 95056 | 1 |
| 8 | Ratchet Head | 95042 | 95048 | 95057 | 1 |
| 9 | Solid Die | Not included with the complete stock - see catalog or price list for details | | | |
| 10 | Die Holding Screws | 95101 | 95102 | 95102 | 2 |

Reed Manufacturing Company
1425 West 8th Street
Erie, PA 16502 USA

QUALITY
& Service
that Last a Lifetime

Phone: 800-666-3691 or 814-452-3691
Fax: 800-456-1697 or 814-455-1697
www.reedmfgco.com

RP-108-94