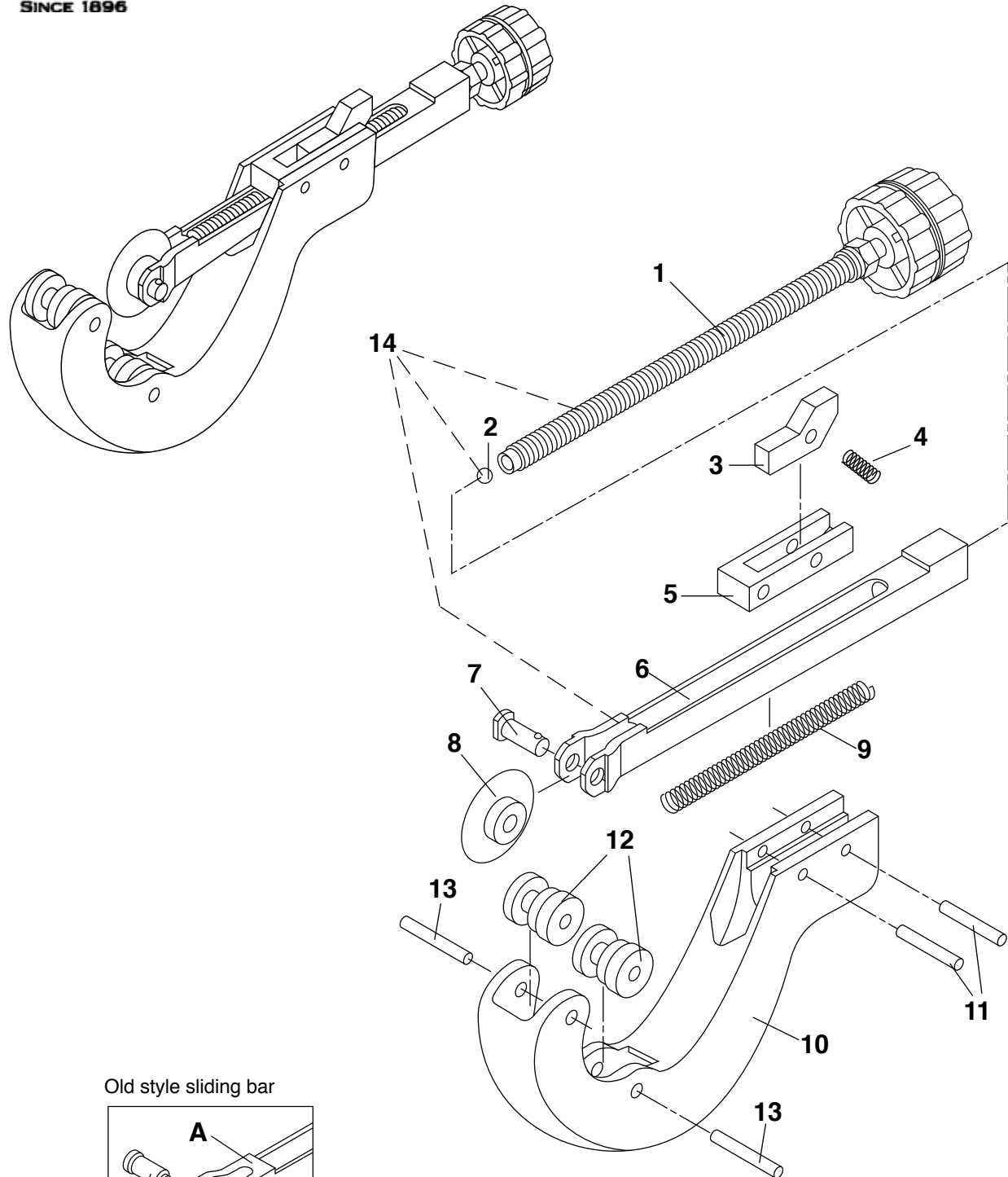


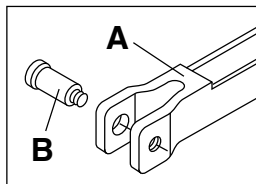


# Tubing Cutters (TC4Q, TC5Q, TC6Q)

Replacement Parts



Old style sliding bar



- A 93467 Slide Bar
- B 93431 Wheel Pin Screw

Reference chart  
on reverse side



# Tubing Cutters (TC4Q, TC5Q, TC6Q)

Replacement Parts

## Parts List

| Ref. No. | Description                               | TC4Q Item Code | TC5Q Item Code | TC6Q Item Code | Qty. Used |
|----------|-------------------------------------------|----------------|----------------|----------------|-----------|
| 1        | Handle & Screw Assembly                   | 93423          | 93423          | 93423          | 1         |
| 2        | Steel Ball                                | 93447          | 93447          | 93447          | 1         |
| 3        | Zip Nut                                   | 93408          | 93408          | 93408          | 1         |
| 4        | Zip Nut Spring                            | 93442          | 93442          | 93442          | 1         |
| 5        | Filler Block                              | 93460          | 93460          | 93460          | 1         |
| 6        | Sliding Bar                               | 93470          | 93695          | 93695          | 1         |
| 7        | Wheel Screw                               | 93445          | 93445          | 93445          | 1         |
| 8        | Cutter Wheel (for copper)                 | 03665          | 03665          | 03665          | 1         |
|          | Cutter Wheel (for plastic)                | 04190          | 04190          | 04190          | 1         |
|          | Cutter Wheel (for muffler tubing systems) | 03670          | 03670          | 03670          | 1         |
| 9        | Bar Spring                                | 93412          | 93412          | 93412          | 1         |
| 10       | Body                                      | 93193          | 93454          | 93455          | 1         |
| 11       | Block Pin                                 | 30038          | 30038          | 30038          | 2         |
| 12       | Large Roller                              | 93420          | 93420          | 93420          | 2         |
| 13       | Roller Pin                                | 93437          | 93437          | 93437 (4 pins) | 2         |
| 14       | Sliding Bar Assembly                      | 93409          | 93194          | 93194          | 1         |

\*Sliding Bar Assembly listed above consists of #1, #2 & #6

- Old style item code number for #7 Sliding Bar for TC4Q and TC5Q - #93467, for TC6Q - #93695
- Old style item code number for #8 Wheel Screw for TC4Q, TC5Q and TC6Q, #93431
- For old style TC4Q body, use block pin #93462