



SERVICE PARTS LIST

BULLETIN NO.
54-47-0210

SPECIFY CATALOG NO. AND SERIAL NO. WHEN ORDERING PARTS		REVISED BULLETIN	DATE
18 Volt PEX Expander			Sept. 2010
CATALOG NO.	2632-20	STARTING SERIAL NO.	C67A
		WIRING INSTRUCTION SEE PAGES 2 & 3	

EXAMPLE:
Component Parts (Small #)
Are Included When Ordering
The Assembly (Large #).

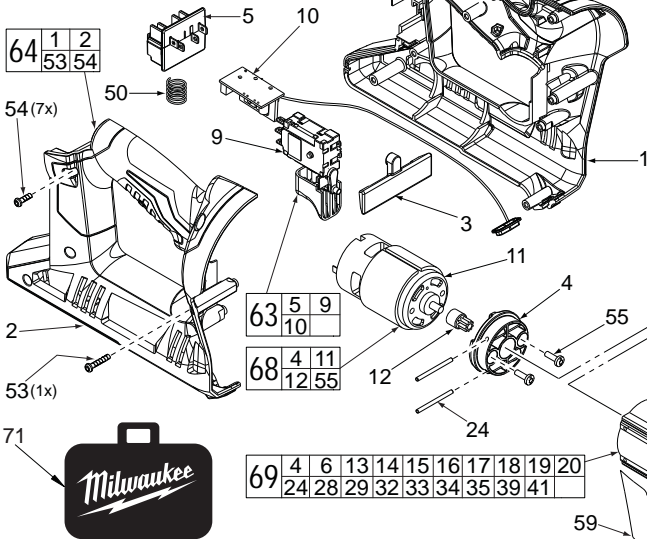
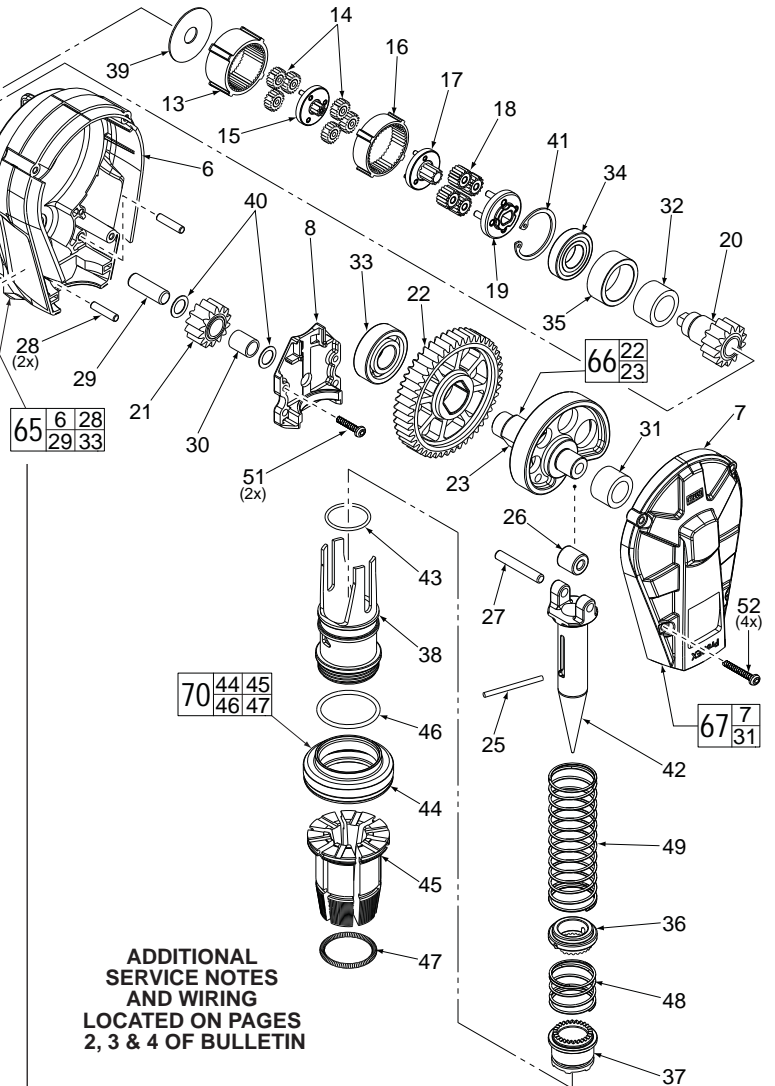


FIG.	PART NO.	DESCRIPTION OF PART	NO. REQ.
50	40-50-1996	Connector Block Spring	(1)
51	45-04-1070	8-32 x .75 Pan Hd. Tapt. T-20 Screw	(2)
52	45-04-1080	8-32 x 1" Pan Hd. Tapt. T-20 Screw	(4)
53	45-04-2000	M3.5 x 22mm Pan Hd. T-10 Screw	(1)
54	45-04-2025	M3.5 x 16mm Pan Hd. T-10 Screw	(7)
55	-----	M4 x 8mm Pan Hd. Screw	(2)
59	12-20-2632	Service Nameplate	(1)
63	23-66-2935	Switch Assembly	(1)
64	31-44-3200	Handle Assembly	(1)
65	14-30-1100	Gearcase	(1)
66	14-29-0550	Cam Gear Assembly	(1)

FIG.	PART NO.	DESCRIPTION OF PART	NO. REQ.
1	-----	Handle Halve - Left	(1)
2	-----	Handle Halve - Right	(1)
3	31-76-0450	Lockout Shuttle	(1)
4	-----	Motor Mount Bracket	(1)
5	22-56-1350	Connector Block	(1)
6	-----	Gearcase Support	(1)
7	-----	Gearcase Cover	(1)
8	28-28-1010	Diaphragm	(1)
9	-----	Switch	(1)
10	-----	PCBA	(1)
11	-----	Motor	(1)
12	-----	Motor Pinion	(1)
13	-----	1st and 2nd Ring Gear	(1)
14	-----	1st and 2nd Planet Gear	(6)
15	-----	1st Carrier and 2nd Sun Gear	(1)
16	-----	3rd Ring Gear	(1)
17	-----	2nd Carrier and 3rd Sun Gear	(1)
18	-----	3rd Planet Gear	(4)
19	-----	3rd Carrier	(1)
20	-----	4th Pinion	(1)
21	32-75-3550	Idle Gear	(1)
22	-----	4th Drive Gear	(1)
23	-----	Cam	(1)
24	44-60-1970	Motor Mount Pin	(2)
25	44-60-1580	Shuttle Pin	(1)
26	44-96-0260	Roller	(1)
27	44-66-2180	Roller Pin	(1)
28	-----	Diaphragm Pin	(2)
29	-----	Idle Gear Pin	(1)
30	02-50-1240	Needle Bearing	(1)
31	-----	Needle Bearing	(1)
32	-----	Needle Bearing	(1)
33	02-04-0390	Ball Bearing	(1)
34	-----	Ball Bearing	(1)
35	-----	Spacer	(1)
36	31-76-0300	Drive Collar	(1)
37	42-76-0890	Rotating Collar	(1)
38	43-40-1000	Frame	(1)
39	-----	Washer	(1)
40	45-88-3090	Washer	(2)
41	-----	Retaining Ring	(1)
42	32-75-1590	Spindle	(1)
43	34-40-0490	O-Ring	(1)
44	-----	Ring	(1)
45	-----	Segment	(6)
46	-----	Big Spring for Head	(1)
47	-----	Small Spring for Head	(1)
48	40-50-1590	Collar Spring	(1)
49	40-50-1640	Spindle Returning Spring	(1)



ADDITIONAL SERVICE NOTES AND WIRING LOCATED ON PAGES 2, 3 & 4 OF BULLETIN

FIG.	PART NO.	DESCRIPTION OF PART	NO. REQ.
67	14-38-0900	Gearcase Cover Assembly	(1)
68	23-30-0925	Motor Assembly	(1)
69	14-29-0625	Gearcase Assembly	(1)
70	49-16-2608	H1" Head Assembly	(1)
71	42-55-2600	Carrying Case, Optional	(1)

FIG. 4,68,69 NOTES:
Service replacement gearcase assembly (69) comes with a motor mount plate (4) that must be removed and discarded when servicing. A motor mount plate already exists on the motor assembly (68).