

Allure® Side Handle Kitchen Faucet Models LK6175 & LK6176

FEATURES

Model LK6175

- Single hole top mount installation
 - 1-1/2" (13mm) diameter faucet hole required
 - Maximum countertop thickness 1-1/2" (38mm)
- 360° swing spout
- Single lever faucet with solid brass construction
- Removable ceramic disc cartridge
- Flexible supply tubes with 1/2" (13mm) male I.P.S. adapters
- Available in the following colors & finishes
 - Chrome LK6175CR, LK6176CR
 - Brushed nickel LK6175NK, LK6176NK
- Ship Wt. 7.5 lbs. (3.4Kg)
- Due to the weight of this faucet, Elkay recommends that it be installed to an 18" (457mm) gauge stainless steel sink (or heavier) or to a solid surface countertop
- Maximum flow rate
 - 2.5 GPM/9.5 L/min at 80 P.S.I.G
 - 2.5 GPM/8.3 L/min at 60 P.S.I.G

Model LK6176

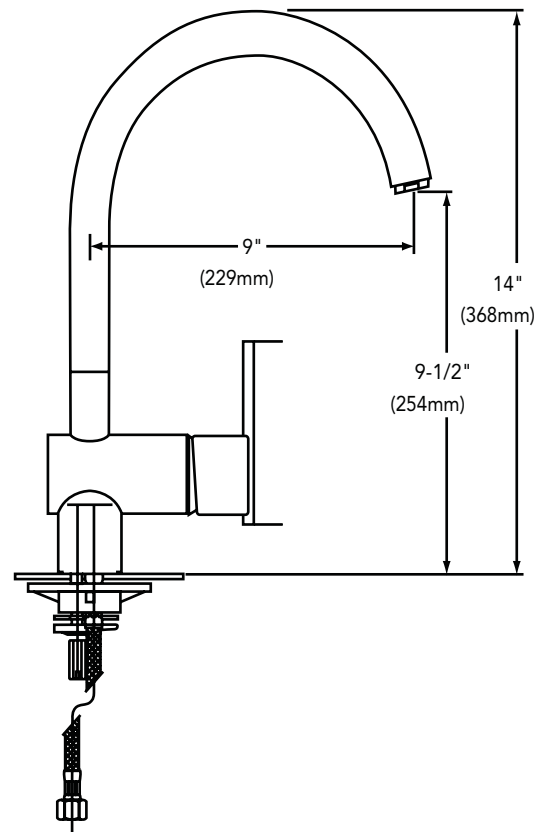
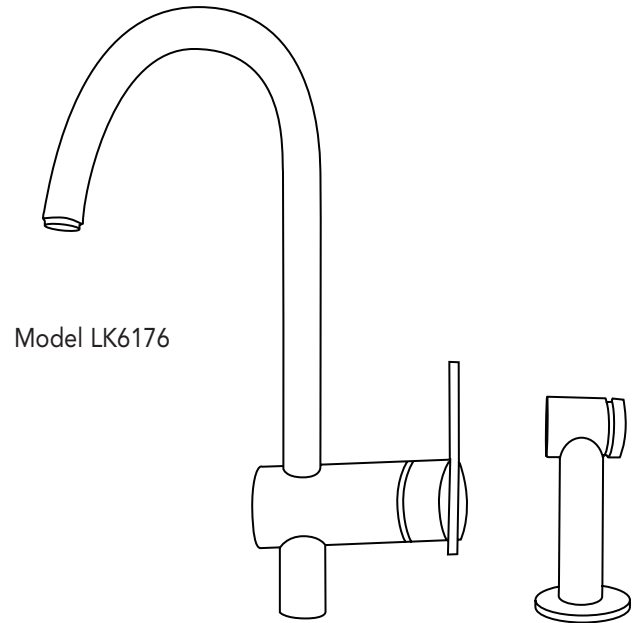
- Same as LK6175 except with retractable spray head and hose
- Two 1-1/2" (38mm) diameter faucet holes required
- Ship Wt. 9.5 lbs. (4.3Kg)

WARRANTY

- Limited Lifetime

COMPLIES WITH:

- ADA
- ANSI/NSF61-CERTIFIED
- ASME A112.18.1-05/CSA B125.1-2005-CERTIFIED
- CA AB1953/VT S152
- cUPC-CERTIFIED
- UPC-CERTIFIED



SEE OTHER SIDE FOR REPLACEMENT PARTS

Allure® Side Handle kitchen Faucet Models LK6175 & LK6176

ITEM	PART	DESCRIPTION
1		
2	A56058R - CHROME	LEVER HANDLE ASSEMBLY
3	A56063R - BRUSHED NICKEL	
4		
5		
6		METAL WASHER/COVER
7	A56057R - CHROME	
8	A56062R - BRUSHED NICKEL	
9		
10	A54236R	CARTRIDGE
11	N/A	N/A
12		
13	A56060R - CHROME A56065R - BRUSHED NICKEL	AERATOR
13		SPOUT ASSEMBLY
14		
15	A56093R - CHROME	
16	A56094R - BRUSHED NICKEL	
17		
18		
19	P36142	SET SCREW
20		
21	N/A	N/A
22		
23		
24	P48052	FLEX HOUSE
25	P30113	SHANK
26	P35257	LK6175 MOUNTING KIT
27		
27	P35258	LK6176 MOUNTING KIT
28		
29		
30	P37126	LK6176 O-RING
31		
32		
33		
34	N/A	N/A
35		
36		
37		
38	P48053	LK6176 FLEX HOSE
39		
40		
41	A56156R - CHROME	LK6176 SIDE SPRAY ASSEMBLY
42	A56157R - BRUSHED NICKEL	
43		
44		
45		
46	P45107 - CHROME	LK6176 SIDE SPRAY NEST
47	P45108 - BRUSHED NICKEL	
48		

