

Item No.:	_____	Qty. _____
Model No.:	_____	
Project No.:	_____	



## 12" Standard Series Sinks

12" Deep Standard Series Three Compartment Stainless Steel Sinks

- 3C18X18-R-18X**
- 3C18X24-R-18X**
- 3C18X24-R-24X**
- 3C24X24-R-24X**

### Options

- Faucets
- Tub Accessories
- Undershelves
- Rotary Drain Options
- H-Frame Stainless Steel Legs
- Stainless Steel Feet Options (bullet & flange styles)

### Specifications

12" Standard Series Sink, with three compartments, right drainboard, 10" backsplash, 16 gauge, 300 series stainless steel top and bowl, galvanized legs & adjustable feet, raised 1-1/2" rolled edge, includes 3-1/2" basket strainer, NSF approved

### Features

- 16 Ga. stainless steel
- Welded construction for consistent metal gauge thickness throughout
- 12" (304.8 mm) deep tub with 3/4" (19.1 mm) coved radius tub corners
- Drainboard is die stamped for positive drainage
- 10" (254 mm) backsplash with tile ledge for easy installation
- Raised 1-1/2" (38.1 mm) diameter rolled edge
- 3-1/2" (88.9 mm) drain with basket strainers included
- 1-5/8" (41.3 mm) galvanized legs with 1" (25.4 mm) adjustable plastic feet
- 2" (50.8 mm) divider between each tub

### Materials

- Sink & Bowl: 16 Ga. 300 series stainless steel
- Top: Drainboard and backsplash are 16 gauge 300 series stainless steel.
- Legs: All sinks furnished with 1-5/8" (41.3 mm) diameter heavy gauge galvanized tubing with plated galvanized leg gussets and high impact corrosion resistant fully adjustable 1" (25.4 mm) feet.

### Mechanical

- 1-1/8" (28.6mm) faucet holes on 8" (203.2mm) centers
- 3-1/2" (88.9mm) waste drain opening

### Flyer Product

*In keeping with our policy of continuing product improvement, Elkay SSP reserves the right to change product specifications without notice.*



**AUTOQUOTES**



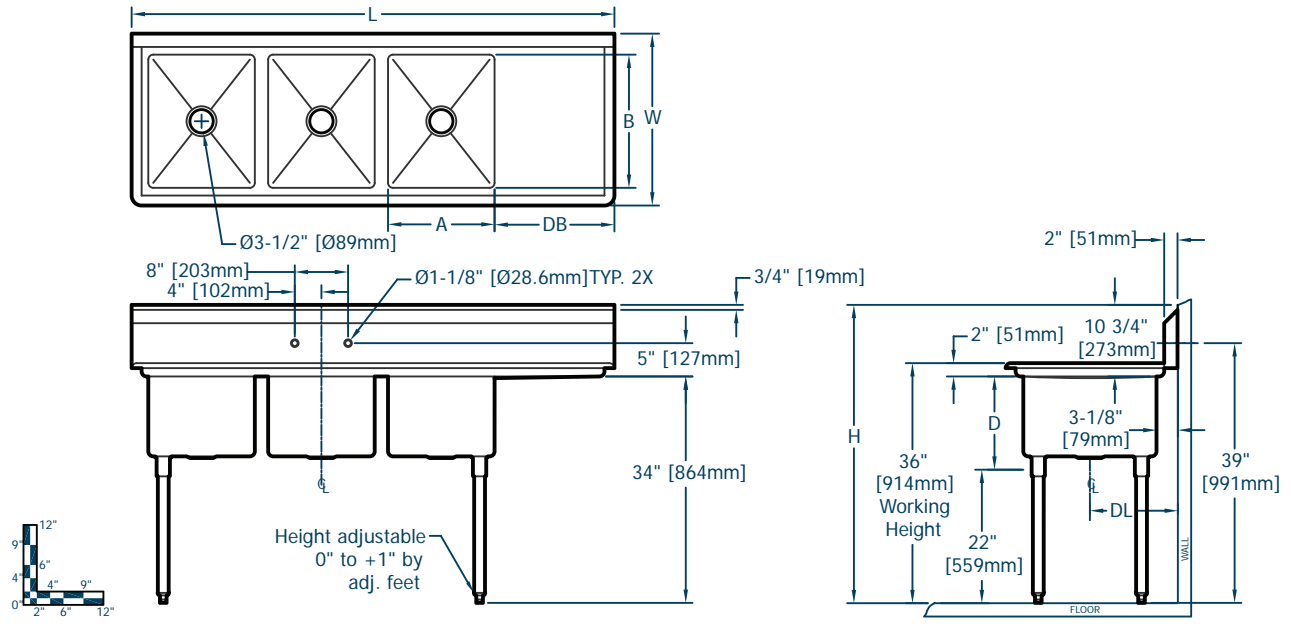
*This specification describes an Elkay SSP product with design, quality and functional benefits to the user. When making a comparison of other producers' offerings, be certain these features are not overlooked.*



Item No.: \_\_\_\_\_ Qty. \_\_\_\_\_  
 Model No.: \_\_\_\_\_  
 Project No.: \_\_\_\_\_

### 12" Standard Series Sinks

12" Deep Standard Series Three Compartment Stainless Steel Sinks



12" Standard Series Sinks																			
Model Number	Bowl Dimensions						Overall Size				Drainboard		Drain Location		Weight				
	Width		Front-to-Back		Depth		Length		Width		Height		Location	Size		Location		Weight	
	A	mm	B	mm	D	mm	L	mm	W	mm	H	mm		DB	DL	in.	mm	lbs.	kg
3C 18 X 18 R 18 X	18	457	18	457	12	305	78.5	1994	23.8	605	44.8	1137	Right	18	457	12	305	204	92
3C 18 X 24 R 18 X	18	457	24	610	12	305	78.5	1994	29.8	757	44.8	1137	Right	18	457	15	381	226	103
3C 18 X 24 R 24 X	18	457	24	610	12	305	84.5	2146	29.8	757	44.8	1137	Right	24	610	15	381	234	106
3C 24 X 24 R 24 X	24	610	24	610	12	305	102.5	2604	29.8	757	44.8	1137	Right	24	610	15	381	277	126

