

Item No.:	_____	Qty.:	_____
Model No.:	_____		
Project No.:	_____		



Economy Series Work Table

Economy Work Table, Turn Up with Galvanized Undershelf

24"

- EWT24S24-STG-24X
- EWT24S30-STG-24X
- EWT24S36-STG-24X
- EWT24S48-STG-24X
- EWT24S60-STG-24X
- EWT24S72-STG-24X
- EWT24S84-STG-24X
- EWT24S96-STG-24X

30"

- EWT30S30-STG-24X
- EWT30S36-STG-24X
- EWT30S48-STG-24X
- EWT30S60-STG-24X
- EWT30S72-STG-24X
- EWT30S84-STG-24X
- EWT30S96-STG-24X

Features

- 18 Gauge, 300 series stainless steel
- 2" Turn Up
- Welded construction for consistent metal gauge thickness throughout
- Sound deadened between top and bottom hat channels with double sided tape
- 1-5/8" Galvanized legs with high impact plastic feet, adjustable up to 1"
- Fully adjustable galvanized undershelf
- Shipped knock down for reduced shipping costs and supplied with Allen wrench and screws

Options

- Custom Height (if less than 36")
- Cutout in Top (depending on size and location)
- Overshelves
- Undershelves
- Drawers
- Casters / Feet Upgrade

* For additional available options, contact Elkay SSP

Materials

- **Top:** 18 Gauge, 300 series stainless steel
- **Legs:** 1-5/8" Diameter heavy gauge galvanized tubing with galvanized leg gussets and high impact plastic feet, adjustable up to 1"
- **Undershelf:** Galvanized steel, fully adjustable

Flyer Product



AUTOQUOTES

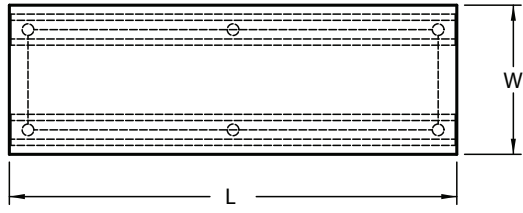


In keeping with our policy of continuing product improvement, Elkay SSP reserves the right to change product specifications without notice.

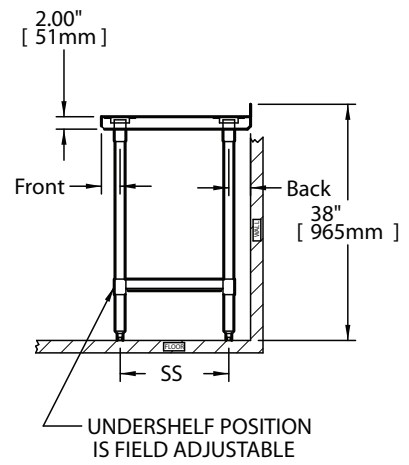
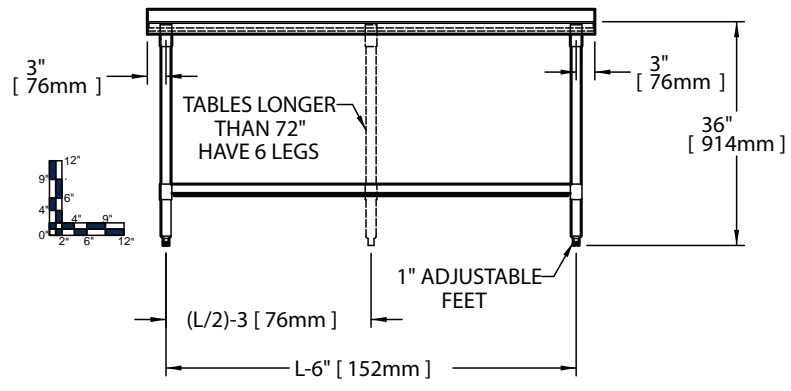
This specification describes an Elkay SSP product with design, quality and functional benefits to the user. When making a comparison of other producers' offerings, be certain these features are not overlooked.



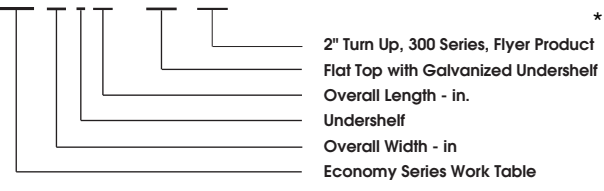
Item No.: _____ Qty.: _____
 Model No.: _____
 Project No.: _____



Size of Undershef:
 Common length = subtract 6" from length
 24" Width = subtract 6.5" from width
 30" Width = subtract 7.45" from width



24" Work Table						30" Work Table								
Model Number	Overall Size		Weight		Model Number	Overall Size		Weight		Legs				
	Length	Height				Length	Height							
	L	H	lbs.	kg		L	H	lbs.	kg					
	in.	mm	in.	mm		in.	mm	in.	mm					
EWT 24 S 24 - STG - 24X	24	610	38	965	39	18				4				
EWT 24 S 30 - STG - 24X	30	762	38	965	44	20	EWT 30 S 30 - STG - 24X	30	762	38	965	50	23	4
EWT 24 S 36 - STG - 24X	36	914	38	965	49	22	EWT 30 S 36 - STG - 24X	36	914	38	965	55	25	4
EWT 24 S 48 - STG - 24X	48	1219	38	965	59	27	EWT 30 S 48 - STG - 24X	48	1219	38	965	67	31	4
EWT 24 S 60 - STG - 24X	60	1524	38	965	68	31	EWT 30 S 60 - STG - 24X	60	1524	38	965	79	36	4
EWT 24 S 72 - STG - 24X	72	1829	38	965	78	36	EWT 30 S 72 - STG - 24X	72	1829	38	965	90	41	4
EWT 24 S 96 - STG - 24X	96	2438	38	965	106	48	EWT 30 S 96 - STG - 24X	96	2438	38	965	122	55	6



* Custom sizes also available

- 2" Turn Up, 300 Series, Flyer Product
- Flat Top with Galvanized Undershef
- Overall Length - in.
- Undershef
- Overall Width - in
- Economy Series Work Table