

Item No.:	_____	Qty.	_____
Model No.:	_____		
Project No.:	_____		



14" Super Economy Series Sinks

14" Deep Super Economy Two Compartment Stainless Steel Sinks

S2C18X18-L-18X

Options

- Faucets
- Tub Accessories
- Undershelves
- Rotary Drain Options
- H-Frame Stainless Steel Legs
- Stainless Steel Feet Options (bullet & flange styles)

Specifications

14" Super Economy Series Sink, with two compartments, left drainboard, 9" backsplash, 18 gauge, 300 series stainless steel top and bowl, galvanized legs & adjustable feet, raised 1-1/2" rolled edge, includes 3-1/2" basket strainer, NSF approved

Features

- 18 Ga. stainless steel
- Welded construction for consistent metal gauge thickness throughout
- 14" (355.6 mm) deep tub with 3/4" (19.1 mm) coved radius tub corners
- Drainboard is die stamped for positive drainage
- 9" (228.6 mm) backsplash with tile ledge for easy installation
- Raised 1-1/2" (38.1 mm) rolled edge
- 3-1/2" (88.9 mm) drain with basket strainers included
- 1-5/8" (41.3 mm) galvanized legs with 1" (25.4 mm) adjustable plastic feet

Materials

- Sink & Bowl: 18 Ga. 300 series stainless steel
- Top: Drainboard and backsplash are 18 gauge 300 series stainless steel.
- Legs: All sinks furnished with 1-5/8" (41.3 mm) diameter heavy gauge galvanized tubing with plated galvanized leg gussets and high impact corrosion resistant fully adjustable 1" (25.4 mm) feet.

Mechanical

- 1-1/8" (28.6mm) faucet holes on 8" (203mm) centers
- 3-1/2" (88.9mm) waste drain opening

Flyer Product

In keeping with our policy of continuing product improvement, Elkay SSP reserves the right to change product specifications without notice.



AUTOQUOTES



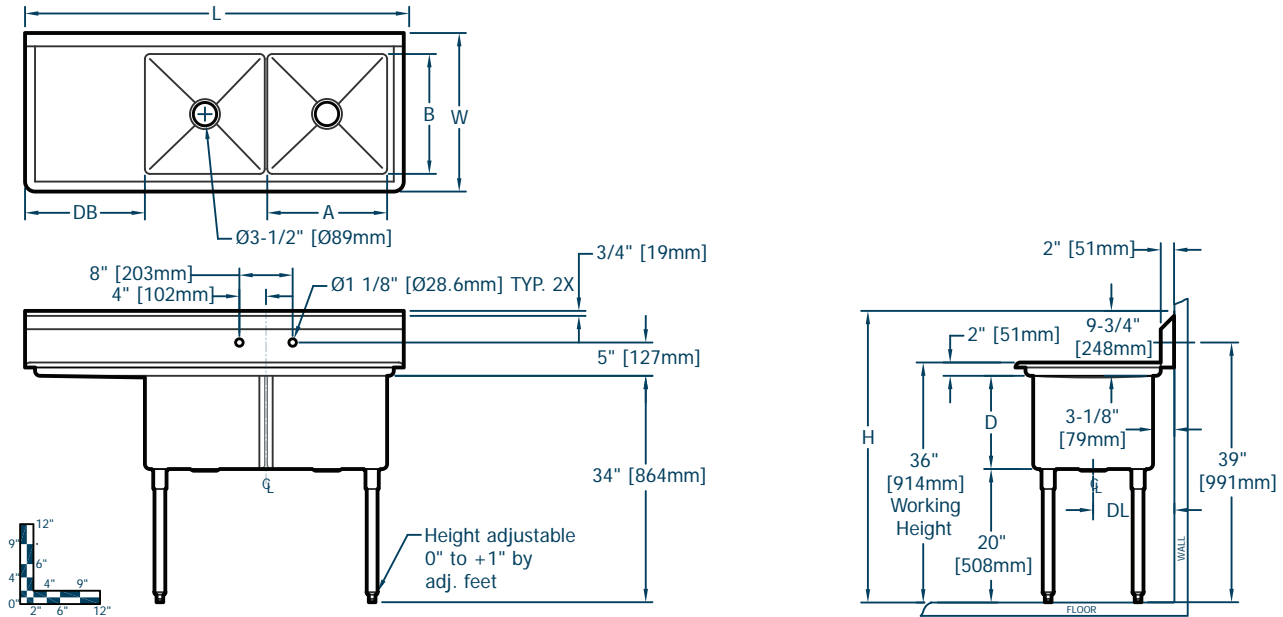
This specification describes an Elkay SSP product with design, quality and functional benefits to the user. When making a comparison of other producers' offerings, be certain these features are not overlooked.



Item No.: _____ Qty. _____
 Model No.: _____
 Project No.: _____

14" Super Economy Series Sinks

14" Deep Super Economy Two Compartment Stainless Steel Sinks



14" Super Economy Series Sinks																			
Model Number	Bowl Dimensions						Overall Size			Drainboard		Drain		Weight					
	Width A		Front-to-Back B		Depth D		Length L		Width W	Height H		Location	Size DB		Location	DL	lbs.	kg	
	in.	mm	in.	mm	in.	mm	in.	mm	in.	mm	in.	mm		in.	mm	in.	mm		
S 2C 18 X 18 L 18 X	18	457	18	457	14	356	56.5	1435	23.8	605	43.8	1111	Left	18	457	12	305	75	34

