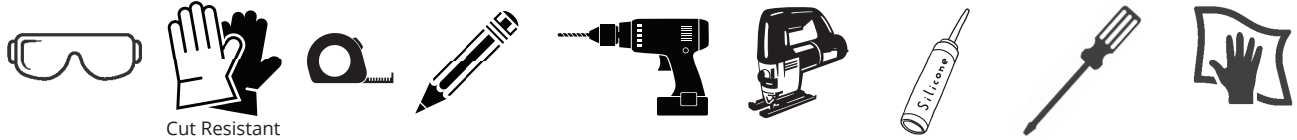


Attention Installer:

- Elkay recommends that drop-in sinks be installed by a professional, experienced installer.
- Elkay is not responsible for the sink or countertop if damaged during installation.
- Metal edges may be sharp. Use caution when handling.
- Follow all local plumbing and building codes.
- Inspect sink for damage prior to beginning installation.

Required Tools (not included)



Cut Resistant

Installation

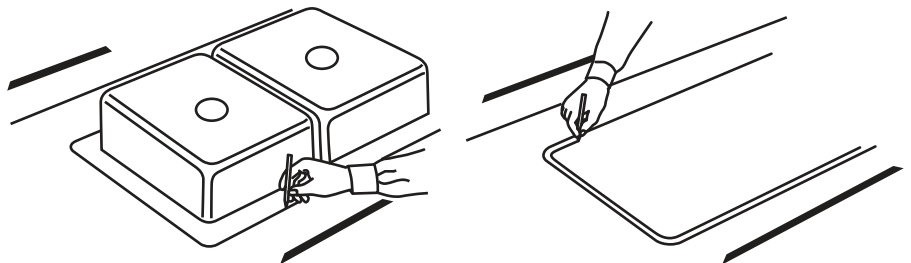


WARNING: Always wear safety goggles and gloves when using power tools or handling the sink to prevent personal injury.

- 1** Position the sink upside down on the countertop.

Trace a line around the edge of the sink.

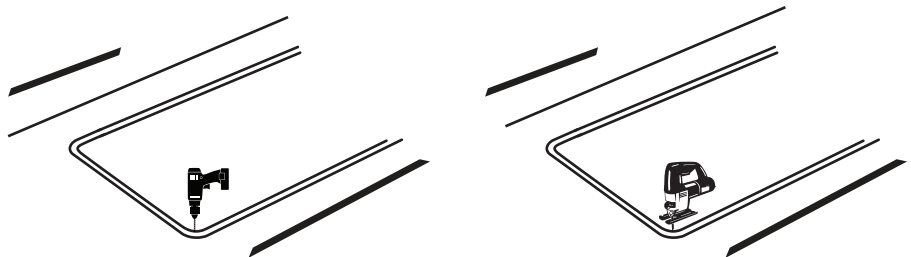
Draw a line $5/16$ " inside of the outline of the sink.



- 2** Drill a pilot hole in all four corners of the inside line.

Use a saber or jig saw to cut on the inside line.

Place a support underneath the cutout portion of the countertop to prevent it from falling during cutting.



- 3** Apply silicone caulk (not included) around the cutout in the countertop surface.

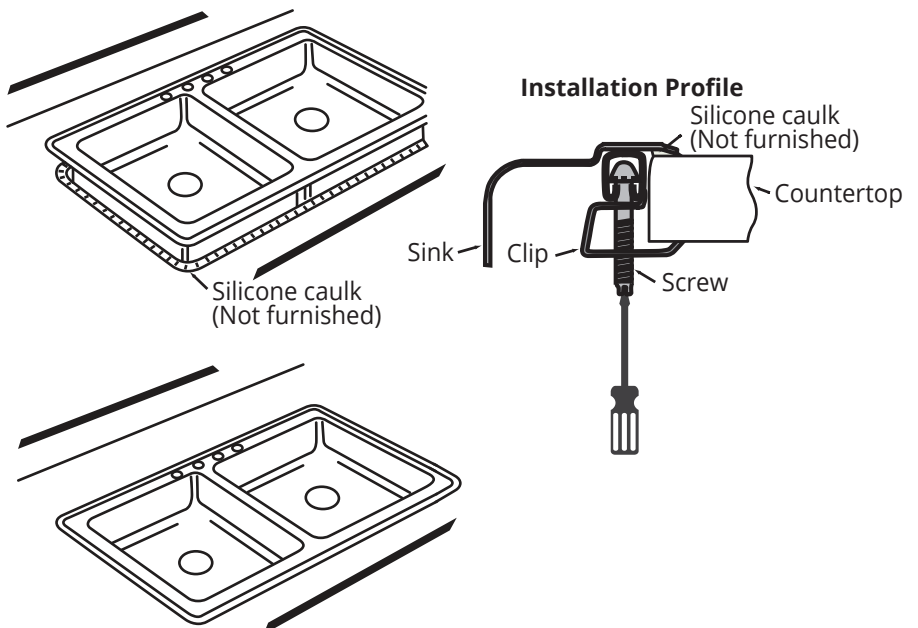
Carefully lower the sink into the cutout.

Assemble the clips and screws.

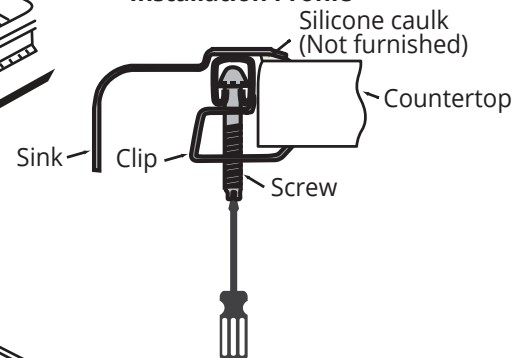
From the underside, place a clip in the center along each side and hand tighten to hold sink in place. Fasten the remaining clips along the edges and space them approximately 3" from each end, and equally along the front, back, and sides. For countertops thicker than $3/4$ ", clips can be spaced as close as 1- $1/2$ ".

From the top, check the seal between the sink edge and countertop. Lightly tighten clips evenly with a screwdriver until the sink is tight to the countertop. Do not over tighten.

Wipe away any excess caulk with a rag.



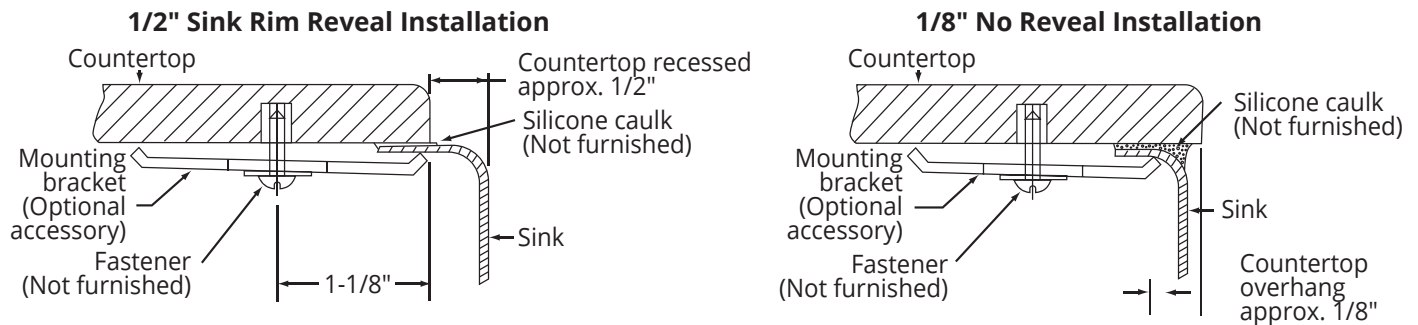
Installation Profile



Attention Installer:

- Elkay recommends that undermount sinks be installed by a professional, experienced installer.
- Enclosed in the sink carton is a cutout template that can be used to make the countertop cutout per the installation type of the sink model purchased (1/2" sink rim reveal or a 1/8" no reveal). For sink models that have a cutout template with both a reveal and no reveal option, please use caution in selecting the correct outline on the template for your desired installation type. Your installer may also retrieve the desired DXF file from our website, www.elkay.com.
- Elkay undermount sinks should only be fastened to a solid surface countertop (i.e. granite / Corian®). Elkay recommends that the sink cutout and mounting holes be cut by the countertop fabricator prior to installation.
- Elkay is not responsible for the sink or countertop if damaged during installation.
- Metal edges may be sharp. Use caution when handling.
- Follow all local plumbing and building codes.
- Inspect sink for damage prior to beginning installation.

Installation Profiles



Required Tools (not included)



Installation

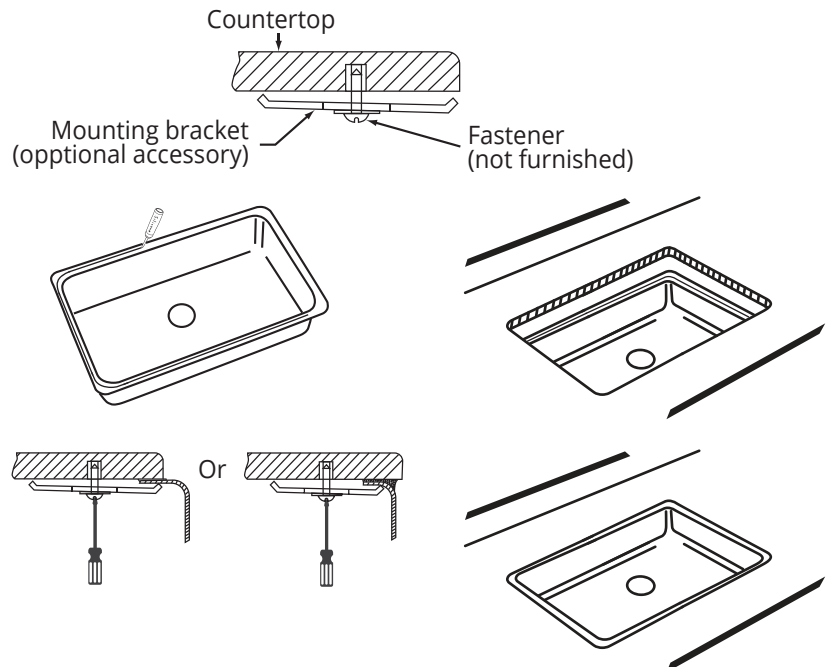


WARNING: Always wear safety goggles and gloves when installing the sink to prevent personal injury.

- 1 Fasten the mounting brackets (optional accessory - LKUCLIP8) loosely into the pre-drilled mounting holes in the countertop.
- 2 Apply silicone caulk (not included) evenly around the top of the sink flanges.

Position and align the sink under the countertop opening. Press the silicone and flange up onto the countertop.
- 3 From the underside, lightly tighten the fasteners with a screwdriver until the sink is snug against the countertop.

Check alignment of the sink to the countertop opening and then tighten the fasteners until the sink is tight against the countertop. Do not over tighten.



Wipe away any excess caulk with a rag.