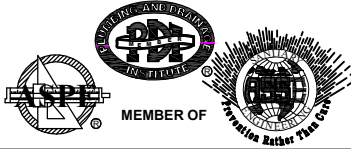




JAY R. SMITH MFG. CO.
 DIVISION OF SMITH INDUSTRIES, INC.
 POST OFFICE BOX 3237
 MONTGOMERY, ALABAMA 36109-0237 (USA)
 TEL: 334-277-8520 TELEX: 782306 FAX: 334-272-7396



LOCATION

FIXTURE SUPPORT FLOOR MOUNTED TYPE
 WITH SUPPORTING STUDS, ADJUSTABLE COUPLING AND WASTE FITTING

FOR SURGICAL SCRUB UP & FLUSHING RIM SINKS

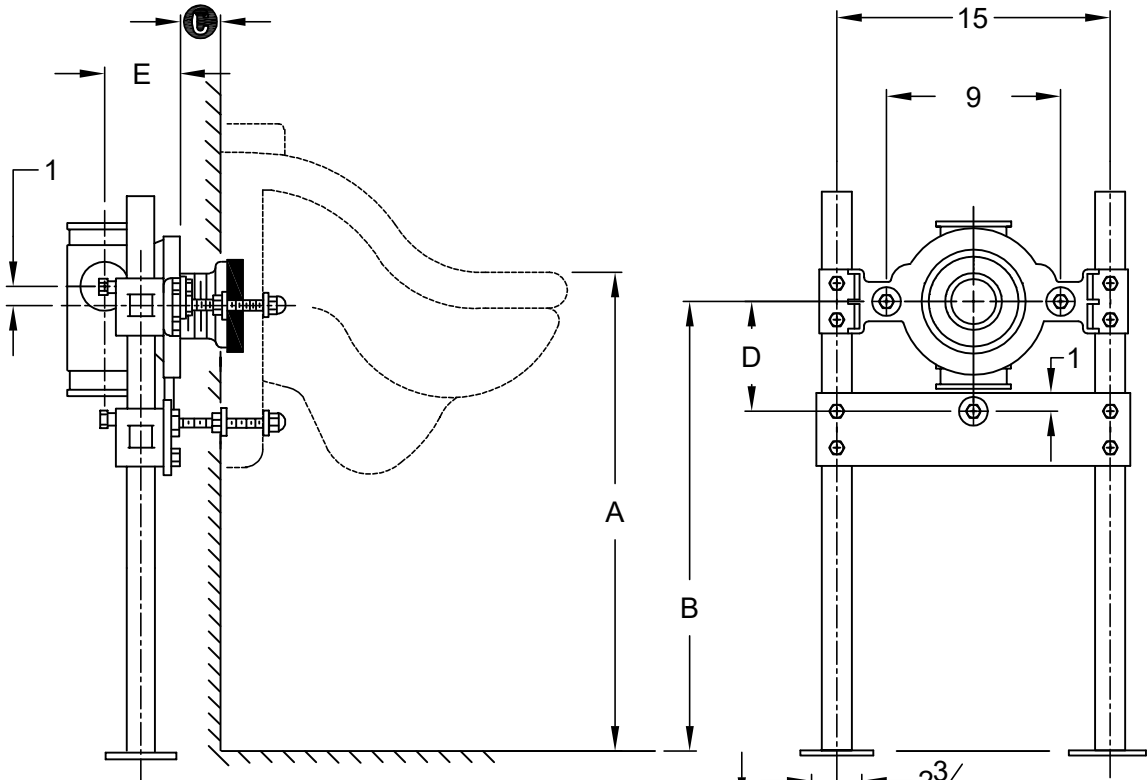
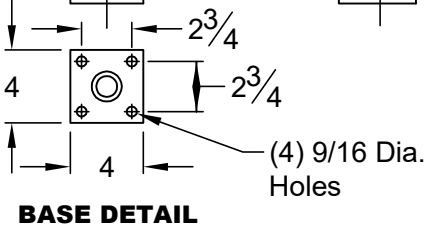


FIGURE	FITTING	SPIGOT	VENT	E
0631Y	0440YF	4	2	4 ³ / ₄
0631Y1	0450YF	4	4	4 ³ / ₄
0631Y2	0532YF	3	2	3 ³ / ₄
0631Y3	0533YF	3	3	3 ³ / ₄
0631Y4	0542YF	4	2	4
0631Y5	0544YF	4	4	4



NOTE - Min. 1" to 1¹/₄" Max. As Regularly Furnished

FIXTURE MANUFACTURER	NUMBER	A	B	D
American Standard	9512.013/9512.999	30	24 ³ / ₄	6 ¹ / ₄
FIXTURE NAME	SIZE			
Service Sink	24 X 20			

NOTE: *This dimension can be increased when fixture support is to be installed behind the wall. (Specify when required and wall thickness).

NOTE: The rough-in dimensions listed on this drawing are based on current information available to Jay R. Smith by the fixture manufacturers. We recommend that you verify these dimensions with the fixture manufacturer. We will not accept responsibility for rough-in dimension changes by the fixture manufacturer.

DRAWING NUMBER: S0631Y-AMSTD-9512.999
 SIZE: A
 SCALE: NONE
 DATE: 05-12-2006
 APPROVED BY: CR
 CHECKED BY: CR
 DRAWN BY: CR
 FIGURE NUMBER: 0631Y

WE CAN ASSUME NO RESPONSIBILITY FOR USE OF SUPERSEDED OR VOID DATA
 DIMENSIONS ARE SUBJECT TO MANUFACTURERS TOLERANCE AND CHANGE WITHOUT NOTICE

REV.	DATE	DESCRIPTION	BY	CKD. BY	WEIGHT POUNDS	VOLUME CUBIC FEET	FIGURE NUMBER 0631Y
------	------	-------------	----	---------	---------------	-------------------	-------------------------------