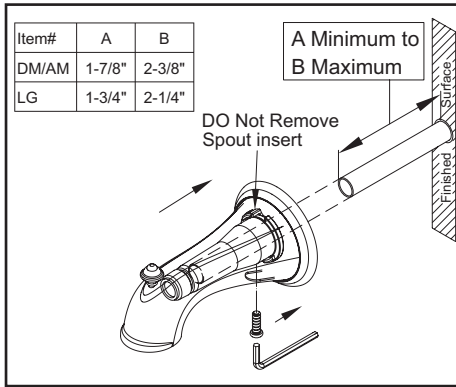
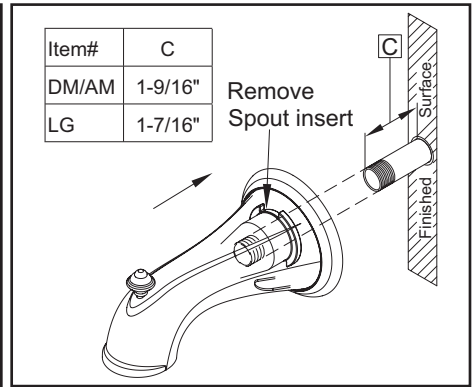


(7) Apply Teflon tape on both thread ends of the shower arm and install shower arm and shower head.



(8) For copper pipe, please see the distance charts on the installation instruction pictures for correct installation for each series of tub spout.



(9) For pipe thread nipple, remove spout insert and apply Teflon tape on the thread end of the nipple, please see the distance charts on the installation instruction pictures for correct installation for each series of tub spout.

Exploded Drawing : (For T-4DMX00)

* Note: Please specify finish/color when ordering.

	ITEM #	DESCRIPTION
A	X-6400015*	Shower Arm Flange
B	X-6400002*	Shower Arm
C	X-6400081*	1.75 GPM Shower Head
D	X-1400026*	Lever Handle
E	X-4400116	Handle Adapter
F	X-6400059*	Face Plate
G	OP-440054*	Sleeve
H	OP-340009	Ceramic Cartridge & Spool
I	X-4900024	3/32" Allen Wrench
J	X-6400021*	Diverter Tub Spout (For T-4DM100)
K	X-4400002*	Spout Escutcheon (For T-4DM100)
1	X-4900080	3/32" Allen Screw
2	X-4400062*	Face Plate Screws

