




- Designed with smooth round shape.
- Available in 1" and 4" centers.
- Available in White and Cashmere.
- Mounting wall bracket included.
- All Western products are IAPMO tested and meet or exceed standards. 

For more information please contact us toll-free:

877-WPWORKS (979-6757)

US Sales and Service

Phone 562.229.0910 • Fax 562.229.0930

www.westernpottery.com • Email: info@westernpottery.com

14405 Best Avenue • Norwalk, California 90650

L250 / P200

PHYSICAL PROPERTIES

Model: L250
P200

Height: 34" (864mm)

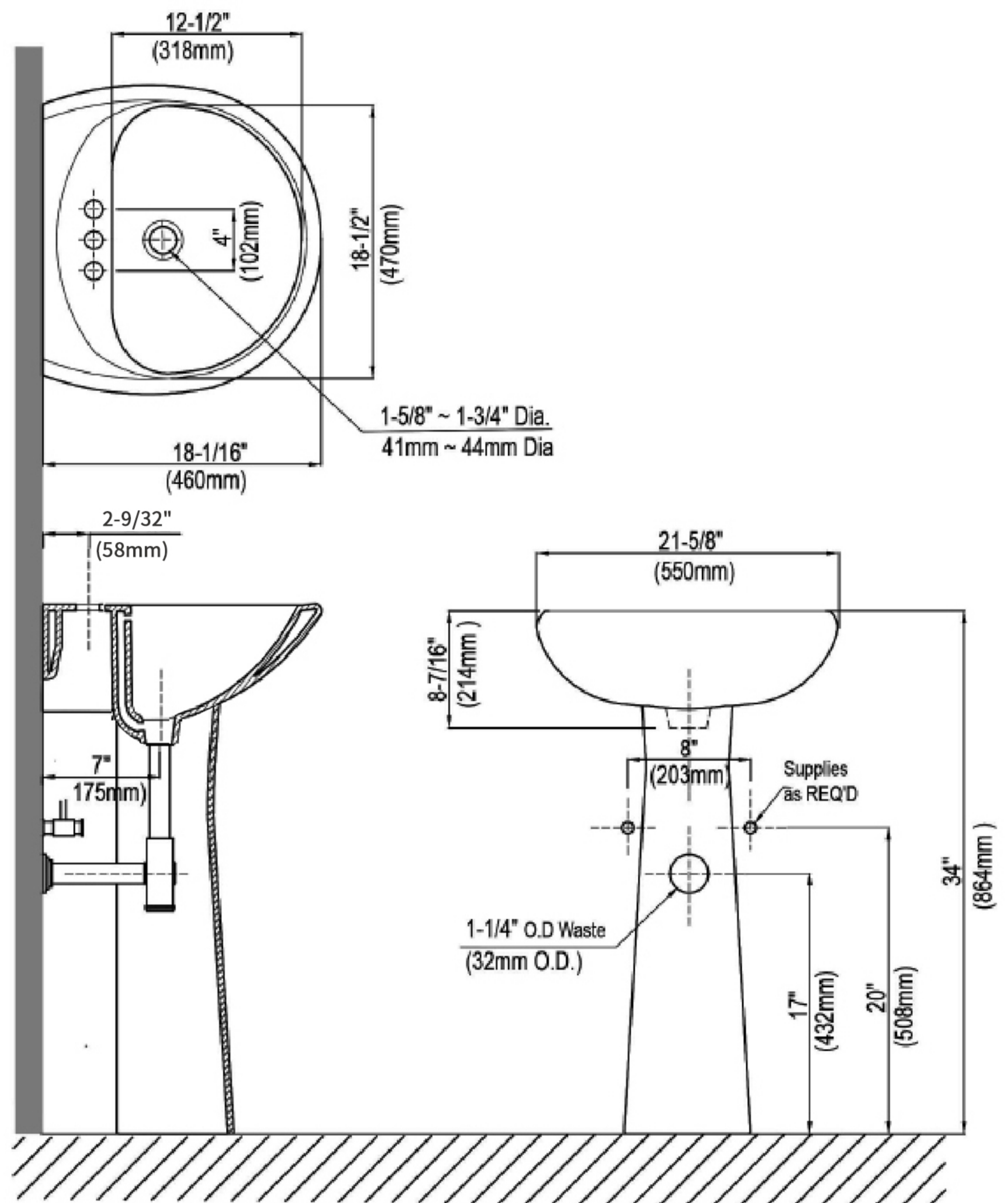
Width: 21-5/8" (550mm)

Depth: 18-1/16" (460mm)

Mounting Hardware: Wall bracket included

Shipping Weight: 31.96 lbs. Lav
27.55 lbs. Ped

Shipping Cube: 1.99 ft. Lav
1.23 ft. Ped



IMPORTANT: Dimensions are nominal and may vary within the range of tolerances established by ASME A112.19.2 / CSA B45.1. These measurements are subject to change without notice.



For more information please contact us toll-free:
877-WPWORKS (979-6757)
www.westernpottery.com • Email: info@westernpottery.com