

AFWALL® FloWise® 1.1 GPF FLUSHOMETER TOILET SYSTEM with EVERCLEAN®

- 3351.711 1.1 gpf Exposed Top Spud Bowl and Selectronic® Exposed AC Flush Valve

BOWL:

- Wall-hung elongated flushometer valve toilet
- Vitreous china
- High Efficiency, Low Consumption. Operates in the range of 1.1 gpf to 1.6 gpf (4.2 Lpf to 6.0 Lpf)
- Permanent EverClean® surface inhibits the growth of stain and odor-causing bacteria, mold, and mildew on the surface
- Powerful direct-fed siphon jet action
- Fully-glazed 2-1/8" trapway
- Condensation channel
- 1-1/2" inlet spud
- 10" x 12" water surface area
- 100% factory flush tested
- Bolt caps and seat not included
- Model 3351.001

SELECTRONIC® FLUSH VALVE:

- Electronic flush valve with Selectronic® proximity system for hygienic "Hands Free" operation
- Self-Cleaning Piston with integral wiper spring helps prevent clogging and reduces maintenance
- Piston operation delivers superior flush accuracy and repeatability
- Fully Mechanical Manual Override - allows valve to flush during a power failure
- Fail-Safe Operation - valve automatically closes, and does not need to be reset, on loss of power or water pressure
- Adjustable Sanitary Flush - valve automatically flushes after 24 hours of non-use to clean fixture & maintain trap seal
- Chemical resistant EPDM seals are unaffected by chloramines
- Sensor & electronic controls are fully enclosed and water resistant
- Range can be adjusted manually or with optional remote control
- Includes UL approved hardwired AC transformer
- Input Voltage: 100 - 250 VAC, 50 / 60 Hz. Output Voltage: 6 VDC.
- Adjustable tailpiece for rough-in flexibility
- Can be installed left or right hand
- Model 6067.111.002

Includes:

- 047007-0070A Inlet Spud (furnished with bowl)
- 1" I.P.S. angle stop with back-flow prevention and vandal-resistant cap
- 1" Sweat solder kit including cover tube and wall flange
- Outlet includes 1-1/2" vacuum breaker with spud coupling and flange

To Be Specified:

- Color: White
- Seat:
 - American Standard #5901.100 Heavy duty open front less cover
 - American Standard #5905.100 Extra heavy duty open front less cover



SEE REVERSE FOR ROUGHING-IN DIMENSIONS

High-Efficiency Toilet System

- 31% water savings when compared to 1.6 gpf toilet systems
- Extra 11% water savings when compared to 1.28 gpf toilet systems

System MaP Score:

- 800 grams of miso @ 1.1 gpf

Operating Pressure:

Overall Range: 20-125 psi**
Recommended: 25 psi (flowing) - 80 psi (static)

** Water pressure over 80 psi is not recommended for most plumbing fixtures.

Flow Requirement:

25gpm (94.6 L/min.)

Nominal Fixture Dimensions:

660 x 356 x 381mm (26" x 14" x 15")

EVERCLEAN®
Surface

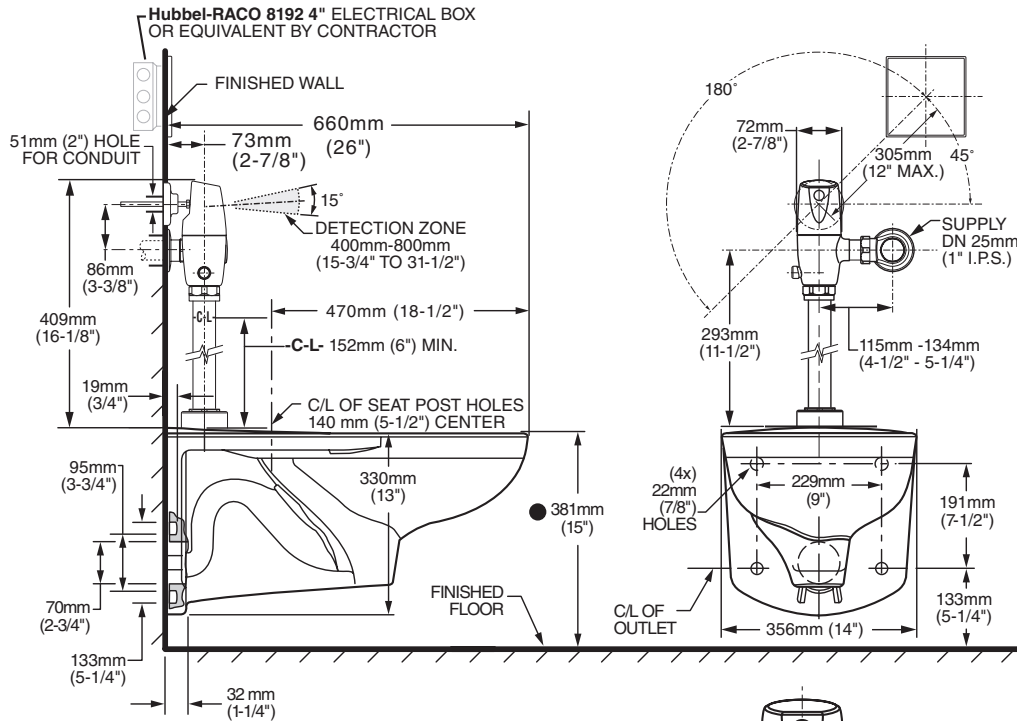


Fixture Compliance Certifications -
Meets or Exceeds the Following Specifications:

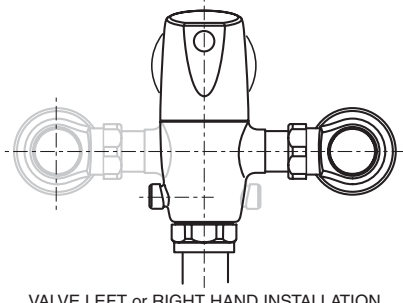
- ASME A112.19.2-2008 / CSA B45.1-08 for Vitreous China Fixtures

Valve Listings:

- ASSE 1037
- ANSI/ASME A112.19.2
- ADA Compliant



*Note: The Critical Line (-C-L) on Vacuum Breaker must typically be a minimum of 152mm (6") above fixture. Consult Codes for details.



VALVE LEFT or RIGHT HAND INSTALLATION



MEETS THE AMERICANS WITH DISABILITIES ACT GUIDELINES AND ANSI A117.1 ACCESSIBLE AND USABLE BUILDINGS AND FACILITIES - CHECK LOCAL CODES.

- When installed so that top of seat is 432 to 483mm (17" to 19") from the finished floor.

NOTES:
WASTE OUTLET SEAL RING MUST BE NEOPRENE OR GRAPHITE-FELT (WAX RING NOT RECOMMENDED).
 SUGGESTED 2mm (1/16) CLEARANCE BETWEEN FACE OF WALL AND BACK OF BOWL. TO COMPLY WITH AREA CODE GOVERNING THE HEIGHT OF VACUUM BREAKER ON THE FLUSHOMETER VALVE, THE PLUMBER MUST VERIFY DIMENSIONS SHOWN FOR SUPPLY ROUGHING.
 CARRIER FITTING AS REQUIRED TO BE FURNISHED BY OTHERS.
 PROVIDE SUITABLE REINFORCEMENT FOR ALL WALL SUPPORT.

IMPORTANT: Dimensions of fixtures are nominal and may vary within the range of tolerances established by ANSI Standard A112.19.2. These measurements are subject to change or cancellation. No responsibility is assumed for use of superseded or voided pages