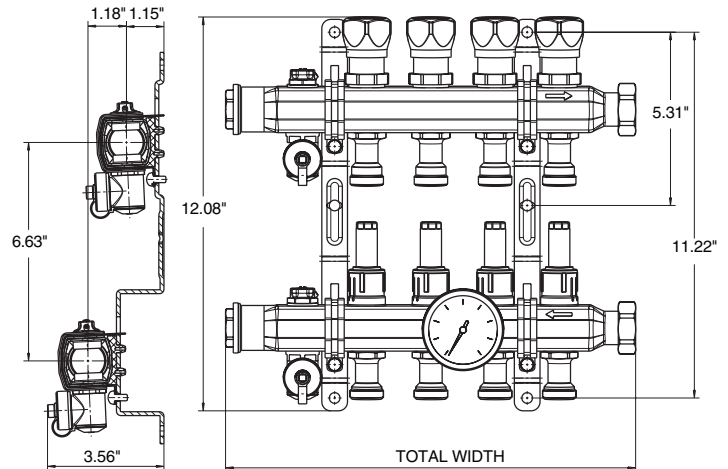


Viega® Stainless Manifold Shut Off / Balancing / Flow Meters

Product Description

Stainless manifolds are to be used in closed loop hydronic heating, cooling and snow melting systems. These preassembled 1¼" diameter stainless supply and return manifolds come attached to two 6⅝" spacing brackets for compact remote mounting. This stainless manifold provides shut off and balancing valves with flow meters for each circuit. Each flow meter/balancing valve allows graduated flow setting up to 2 gpm, maximum 18 gpm per manifold. The air bleeder and purge valves are connected and factory tested. 1¼" Union connections, 1" NPT removable end caps. SVC Circuit connection fittings are sold separately.

Dimensions			
Manifold	Width Just Manifold	Width With Ball Valve Set and Adapter Fitting	Width With Ball Valve Set and Fittings For Flow Through
2 outlets	10.2	12.96"	16.95"
3 outlets	10.2"	12.96"	16.95"
4 outlets	12.2"	16.95"	18.95"
5 outlets	14.1"	18.85"	20.85"
6 outlets	16.1"	20.85"	22.85"
7 outlets	18.1"	22.85"	24.85"
8 outlets	20.0"	24.75"	26.75"
9 outlets	22.0"	26.75"	28.75"
10 outlets	24.0"	28.75"	30.75"
11 outlets	25.9"	30.65"	32.65"
12 outlets	27.9"	32.65"	34.65"
Height		12.1"	
Depth		3.6"	
Depth with ball valve set handles		4.26"	



* When extending the manifold, Viega requires using thread sealant paste on the 1" NPT manifold end connection.

Technical Data

- 1¼" 304 Stainless Header Stock
- Factory installed air bleeder
- Mounting brackets
- Max. operating temperature: 180°F
Short periods of 200°F
- Max. operating pressure: 100 psi
- Return Valve $C_v = 2.98$
- Supply Valve $C_v = 1.30$

The return header is fitted with shut off valves which are suitable to receive optional 24V powerheads for control over each circuit via thermostat.

Note: Use new style white cap powerheads with this manifold
(stock code 15061 2 wire power head)
(stock code 15064 4 wire power head)

