



RVS ANALOG SOFT STARTER

50/60 Hz, 2-125 HP, 200~600 VAC
Integrated electronic overload
Bypass standard

EXTEND EQUIPMENT LIFE & REDUCE PEAK CURRENT DEMAND

Standard features

- Compact, space saving soft start with integrated electronic overload
- Standard, built-in bypass
- Aluminum chassis design ensures cool and efficient operation
- Powder coated metal type 3R enclosure available
- Integrated LED display and control terminals
- Rated for line or inside delta motor connections

Comprehensive motor protection

- Current limiting and integrated phase loss
- Starter over-temperature shut down with reset push button
- Metal Oxide Varistors (MOV) protect SCRs from damaging surges

Easy setup & operation

- LED display modes include: On, ramp up/down, run, overload, phase loss, over-temp
- Simple dial adjustments for: motor FLA, initial voltage, current limit, ramp up/down times
- Adjustable ramp setting ranges (up/down 0-30 seconds)
- End of acceleration relay (1 N.O. contact)
- Fault output relay (1 N.O. contact)
- Auxiliary relays

NEMA



Franklin Electric

Analog Soft Starters (Standard Chassis)

Model No.	UL HP			Wt. (lbs)	Description
	Three-Phase				
	230 V	460 V	575 V		
RVS-AX-8	2	5	7.5	5.74	RVS Standard Chassis Soft Start, 8A
RVS-AX-17	5	10	15		RVS Standard Chassis Soft Start, 17A
RVS-AX-31	10	20	30		RVS Standard Chassis Soft Start, 31A
RVS-AX-58	20	40	50	11	RVS Standard Chassis Soft Start, 58A
RVS-AX-72	25	50	60		RVS Standard Chassis Soft Start, 72A
RVS-AX-85	30	60	75	18.5	RVS Standard Chassis Soft Start, 85A
RVS-AX-105	40	75	100		RVS Standard Chassis Soft Start, 105A
RVS-AX-145	50	100	125	26	RVS Standard Chassis Soft Start, 145A
RVS-AX-170	60	125	150		RVS Standard Chassis Soft Start, 170A

Analog Soft Starters (Enclosed, Combination) 230 - 460 V

UL/NEMA 3R Enclosures (HOA)

Model No.	UL HP		Max SF Amps	Wt. (lbs)	Description
	Three-Phase				
	230 V	460 V			
C3R-SFS005GXX-J-PMP	2 HP	5 HP	8A	43	N3R RVS, 8A, 230V/460V, w/ CB Disc. & HOA, Pump Version
C3R-SFS007GXX-J-PMP	3 HP	7.5 HP	11A	45	N3R RVS, 11A, 230V/460V, w/ CB Disc. & HOA, Pump Version
C3R-SFS010GXX-J-PMP	5 HP	10 HP	17A	45	N3R RVS, 17A, 230V/460V, w/ CB Disc. & HOA, Pump Version
C3R-SFS015GXX-J-PMP	7.5 HP	15 HP	22A	47	N3R RVS, 22A, 230V/460V, w/ CB Disc. & HOA, Pump Version
C3R-SFS020GXX-J-PMP	10 HP	20 HP	28A	47	N3R RVS, 28A, 230V/460V, w/ CB Disc. & HOA, Pump Version
C3R-SFS025GXX-J-PMP	10 HP	25 HP	34A	53	N3R RVS, 34A, 230V/460V, w/ CB Disc. & HOA, Pump Version
C3R-SFS030GXX-J-PMP	15 HP	30 HP	45A	53	N3R RVS, 45A, 230V/460V, w/ CB Disc. & HOA, Pump Version
C3R-SFS040GXX-J-PMP	20 HP	40 HP	57A	53	N3R RVS, 57A, 230V/460V, w/ CB Disc. & HOA, Pump Version
C3R-SFS050GXX-J-PMP	25 HP	50 HP	71A	53	N3R RVS, 71A, 230V/460V, w/ CB Disc. & HOA, Pump Version
C3R-SFS060GXX-J-PMP	30 HP	60 HP	85A	72	N3R RVS, 85A, 230V/460V, w/ CB Disc. & HOA, Pump Version
C3R-SFS075GXX-J-PMP	40 HP	75 HP	105A	72	N3R RVS, 105A, 230V/460V, w/ CB Disc. & HOA, Pump Version
C3R-SFS100GXX-J-PMP	50 HP	100 HP	142A	144	N3R RVS, 142A, 230V/460V, w/ CB Disc. & HOA, Pump Version
C3R-SFS125GXX-J-PMP	60 HP	125 HP	170A	144	N3R RVS, 170A, 230V/460V, w/ CB Disc. & HOA, Pump Version

Analog Soft Starters (Enclosed, Non-Combination) 230 - 460 V

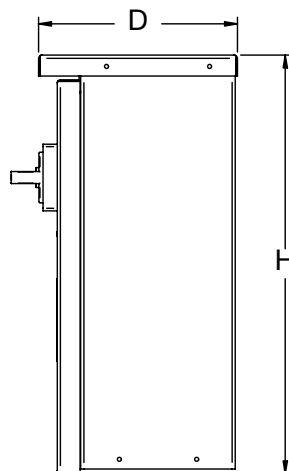
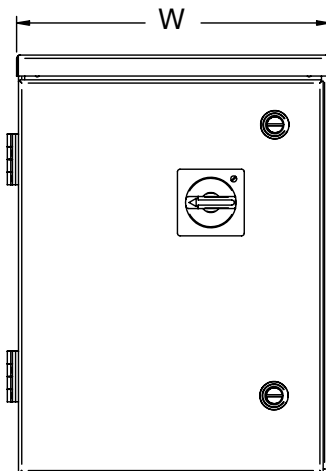
UL/NEMA 3R Enclosures (HOA)

Model No.	UL HP		Max SF Amps	Wt. (lbs)	Description
	Three-Phase				
	230 V	460 V			
C3R-SFS005XXX-J-PMP	2 HP	5 HP	8A	39	N3R RVS, 8A, 230V/460V, w/ HOA & No CB Disc., Pump Version
C3R-SFS010XXX-J-PMP	5 HP	10 HP	17A	41	N3R RVS, 17A, 230V/460V, w/ HOA & No CB Disc., Pump Version
C3R-SFS020XXX-J-PMP	10 HP	20 HP	31A	43	N3R RVS, 31A, 230V/460V, w/ HOA & No CB Disc., Pump Version
C3R-SFS040XXX-J-PMP	20 HP	40 HP	58A	49	N3R RVS, 58A, 230V/460V, w/ HOA & No CB Disc., Pump Version
C3R-SFS050XXX-J-PMP	25 HP	50 HP	72A	53	N3R RVS, 72A, 230V/460V, w/ HOA & No CB Disc., Pump Version
C3R-SFS060XXX-J-PMP	30 HP	60 HP	85A	68	N3R RVS, 85A, 230V/460V, w/ HOA & No CB Disc., Pump Version
C3R-SFS075XXX-J-PMP	40 HP	75 HP	105A	68	N3R RVS, 105A, 230V/460V, w/ HOA & No CB Disc., Pump Version
C3R-SFS100XXX-J-PMP	50 HP	100 HP	145A	110	N3R RVS, 145A, 230V/460V, w/ HOA & No CB Disc., Pump Version
C3R-SFS075XXX-J-PMP	60 HP	125 HP	170A	125	N3R RVS, 170A, 230V/460V, w/ HOA & No CB Disc., Pump Version

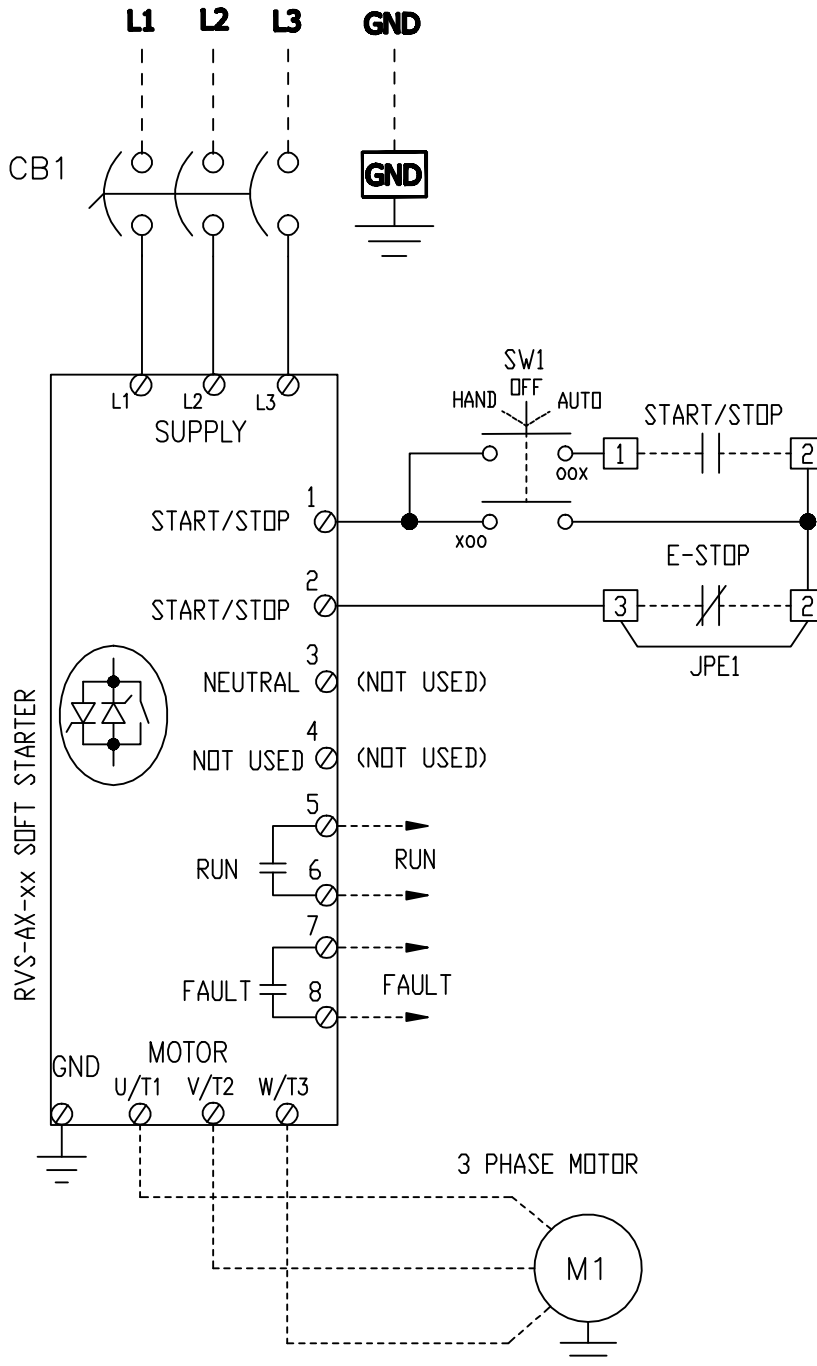
RVS Dimensions

Starter Size	H	W	D	Description
RVS-AX-8 - RVS-AX-31	9.5	4.75	4.25	Standard Chassis
RVS-AX-58 - RVS-AX-72	11	5	7.5	
RVS-AX-85 - RVS-AX-105	15	5	7.5	
RVS-AX-145 - RVS-AX-170	15	7	8	
C3R-SFS005GXX-J-PMP to C3R-SFS050GXX-J-PMP	22	15	10	UL/NEMA 3R Enclosure (Combination Starters)
C3R-SFS060GXX-J-PMP to C3R-SFS075GXX-J-PMP	32	15	10	
C3R-SFS0100GXX-J-PMP	30	24	12	
C3R-SFS125GXX-J-PMP	36	24	12	
C3R-SFS005GXX-J-PMP to C3R-SFS050GXX-J-PMP	22	15	10	UL/NEMA 3R Enclosure (Non-Combination Starters)
C3R-SFS060GXX-J-PMP to C3R-SFS075GXX-J-PMP	32	15	10	
C3R-SFS0100GXX-J-PMP	24	20	12	
C3R-SFS125GXX-J-PMP	30	24	12	

*All measurements in inches



Wiring Diagram



Franklin Electric

400 East Spring Street, Bluffton, IN 46714
 Tel: 260.824.2900 • Fax: 260.824.2909
 www.franklin-electric.com