



T&S BRASS AND BRONZE WORKS, INC.

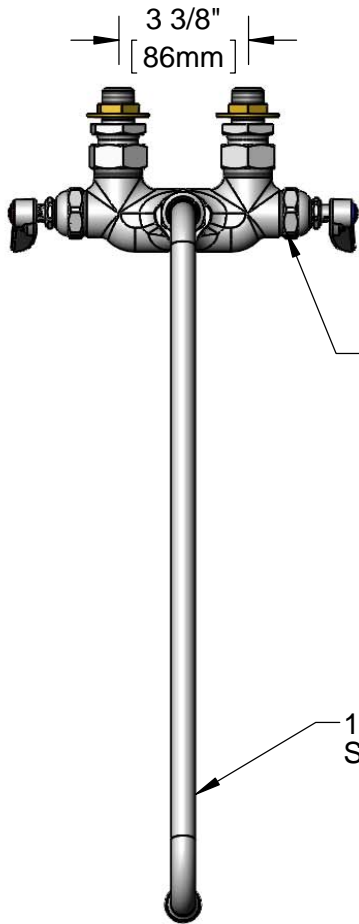
2 Saddleback Cove / P.O. Box 1088
Travelers Rest, SC 29690

Model No.

B-0235-CC

Item No.

Travelers Rest, SC: 800-476-4103 • Simi Valley, CA: 800-423-0150 • Fax: 864-834-3518 • www.tsbrass.com



Eterna Cartridges & Lever Handles w/ Color Coded Indexes



ADA Compliant

This Space for Architect/Engineer Approval

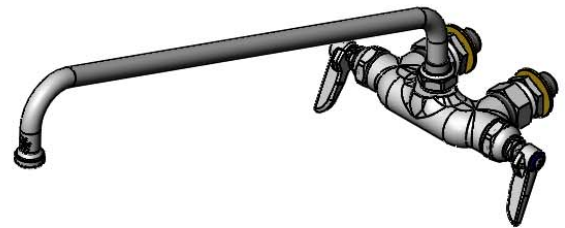
Job Name _____ Date _____

Model Specified _____ Quantity _____

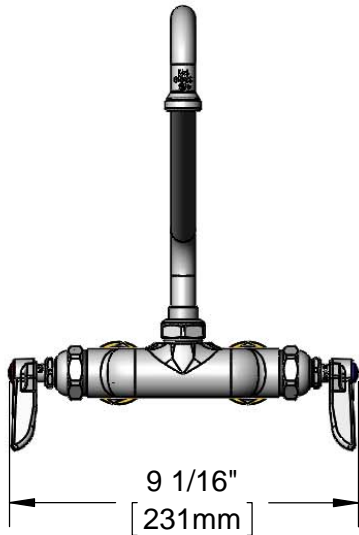
Customer/Wholesaler _____

Contractor _____

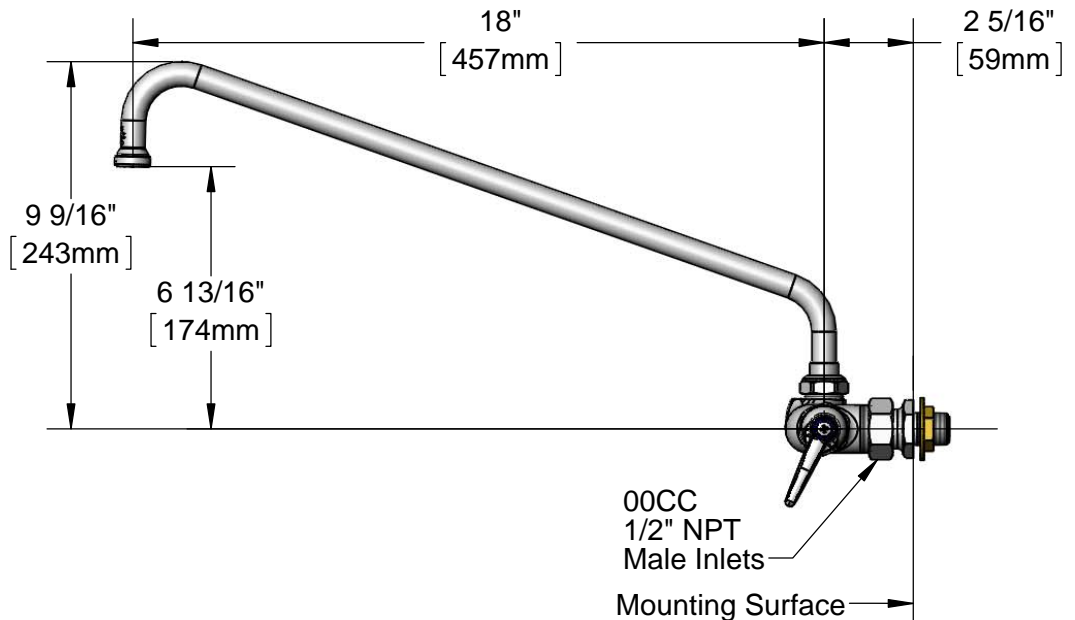
Architect/Engineer _____



18" Swing Nozzle w/ Stream Regulator Outlet



9 1/16" [231mm]



00CC
1/2" NPT
Male Inlets

Mounting Surface

Product Specifications:

Wall Mount Faucet, Eterna Cartridges, Lever Handles, 18" Swing Nozzle w/ Stream Regulator Outlet and Adjustable Inlets

Product Compliance:

ASME A112.18.1 / CSA B125.1
NSF 61 - Section 9
NSF 372 (Low Lead Content)
ANSI A117.1 (ADA)



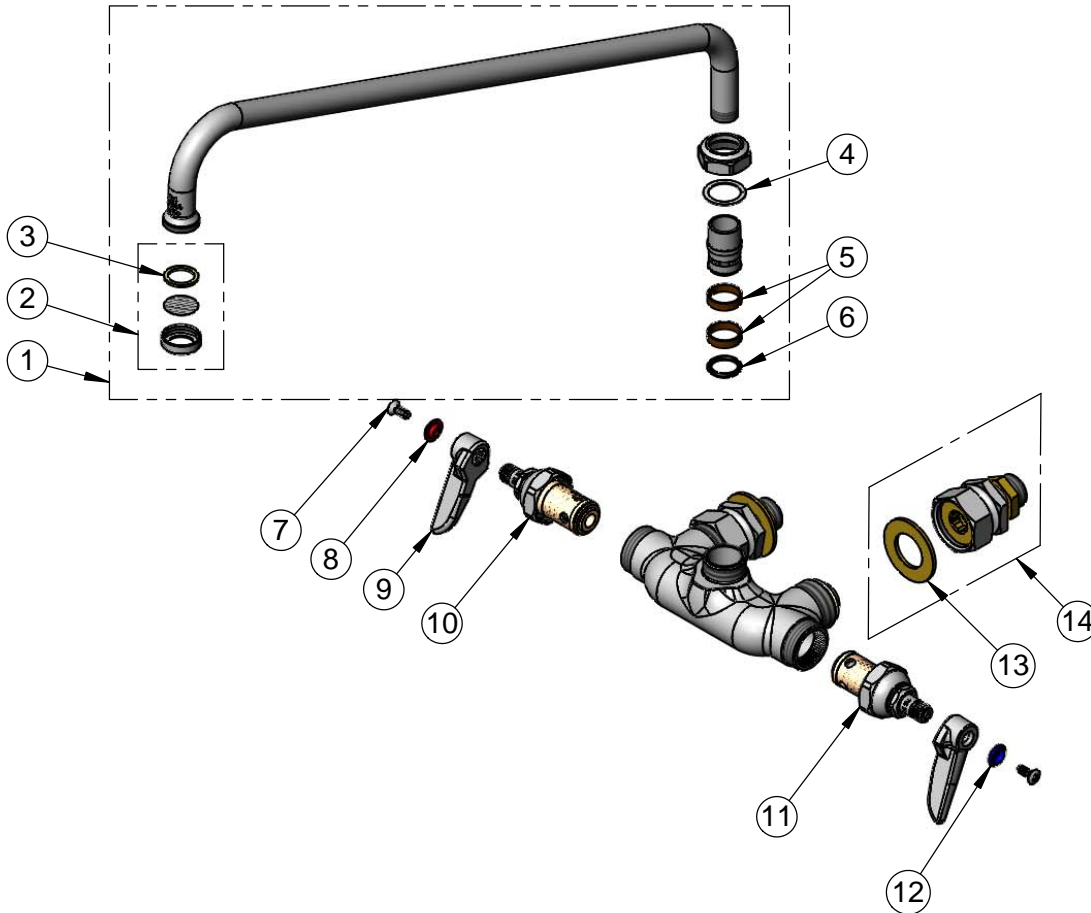
T&S BRASS AND BRONZE WORKS, INC.
 2 Saddleback Cove / P.O. Box 1088
 Travelers Rest, SC 29690

Model No.
B-0235-CC

Item No.

Travelers Rest, SC: 800-476-4103 • Simi Valley, CA: 800-423-0150 • Fax: 864-834-3518 • www.tsbrass.com

ITEM NO.	SALES NO.	DESCRIPTION
1	065X	18" Swing Nozzle
2	B-PT	Stream Regulator Outlet
3	001048-45	Nozzle Tip Washer
4	009538-45	Swivel Washer
5	011429-45	Swivel Sleeves (2)
6	001074-45	O-Ring
7	000922-45	Lever Handle Screw
8	001661-45	Red Index-HW
9	001638-45	Lever Handle
10	005960-40	Eterna Cartridge, RTC
11	005959-40	Eterna Cartridge, LTC
12	001660-45	Blue Index-CW
13	000999-45	Brass Lock Washer
14	00CC	1/2" NPT Male Inlet Flange



Product Specifications:
 Wall Mount Faucet, Eterna Cartridges, Lever Handles, 18" Swing Nozzle
 w/ Stream Regulator Outlet and Adjustable Inlets

Product Compliance:
 ASME A112.18.1 / CSA B125.1
 NSF 61 - Section 9
 NSF 372 (Low Lead Content)
 ANSI A117.1 (ADA)