



# T&S BRASS AND BRONZE WORKS, INC.

2 Saddleback Cove / P.O. Box 1088  
Travelers Rest, SC 29690



REG. #A2601  
ISO #9001

Model No.  
**B-3940-01-BSP**

Item No.

Travelers Rest, SC: 800-476-4103 Simi Valley, CA: 800-423-0150 Fax: 864-834-3518 www.tsbrass.com

This Space for Architect/Engineer Approval

Job Name \_\_\_\_\_ Date \_\_\_\_\_

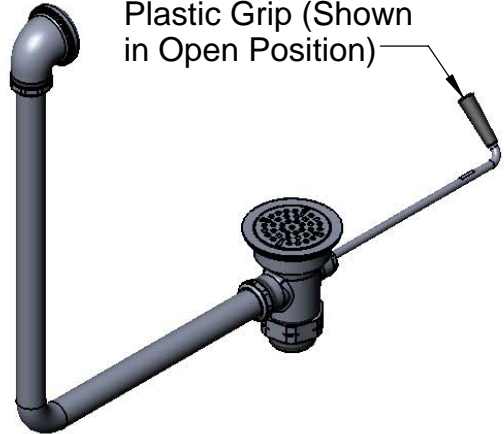
Model Specified \_\_\_\_\_ Quantity \_\_\_\_\_

Customer/Wholesaler \_\_\_\_\_

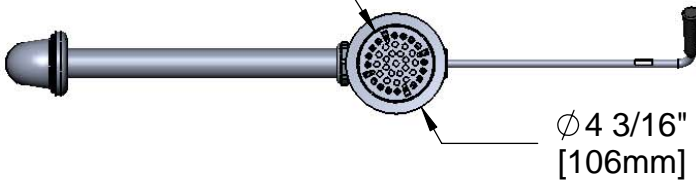
Contractor \_\_\_\_\_

Architect/Engineer \_\_\_\_\_

Twist Handle w/  
Heat Resistant  
Plastic Grip (Shown  
in Open Position)

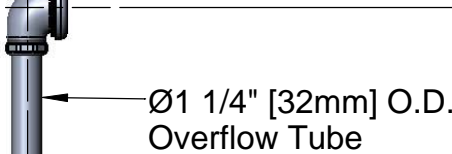


Removable  
Snap-In Strainer



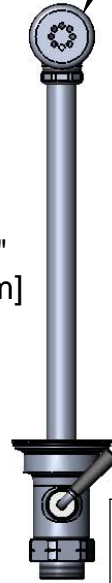
Ø 4 3/16"  
[106mm]

Ø 2 11/16  
[68mm]



Ø 1 1/4" [32mm] O.D.  
Overflow Tube

Ø 2" [51mm]  
Opening Required



12 1/4" ± 1/4"  
[312mm]

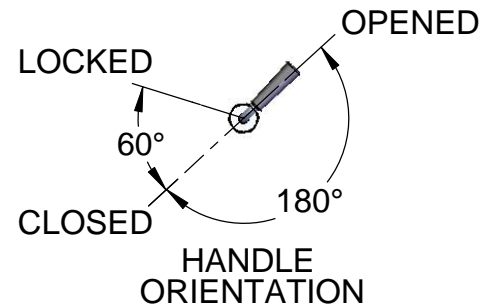
19 1/2"  
[492mm]

5 3/4"  
[146mm]

2 5/8"  
[67mm]

15 3/8"  
[391mm]

Adapter Converts 2" NPT  
Male Thread to 1 1/2" BSP  
Male Thread. Remove  
Adapter when 2" NPT  
Male Thread is Needed.



### Product Specifications:

Rotary Waste Valve w/ Twist Handle, 3" Sink Opening, 2" Male NPT Outlet, 1 1/2" BSP Male Adapter & Overflow Tube w/ Head Asm.

Drawn  
DHL

Checked  
KJG

Approved  
JHB

Scale:

1:8

Date:

03/19/09



**T&S BRASS AND BRONZE WORKS, INC.**

2 Saddleback Cove / P.O. Box 1088  
Travelers Rest, SC 29690



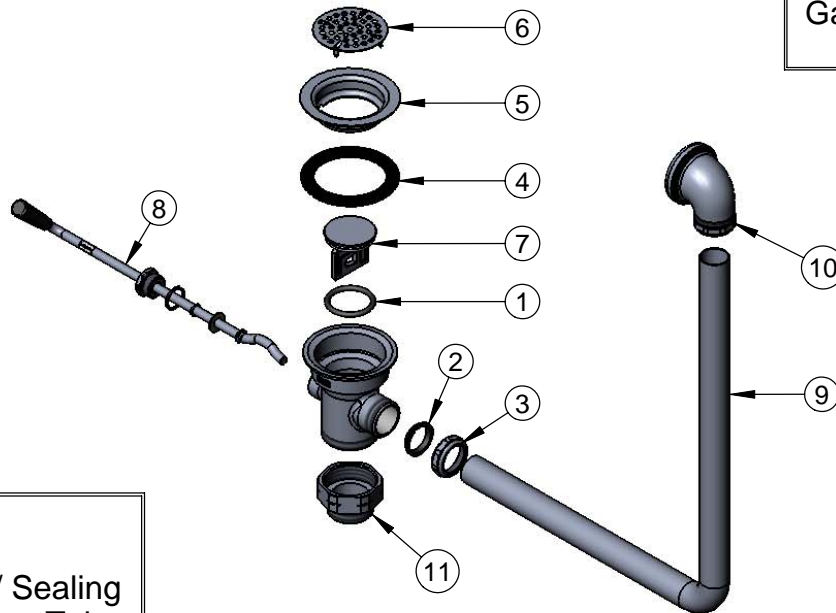
REG. #A2601  
ISO #9001

Model No.  
**B-3940-01-BSP**

Item No.

Travelers Rest, SC: 800-476-4103 Simi Valley, CA: 800-423-0150 Fax: 864-834-3518 www.tsbrass.com

ITEM NO.	SALES NO.	DESCRIPTION
1	010389-45	O-Ring, Plunger
2	010390-45	Ferrule, Coupling Nut
3	010391-45	Nut, Coupling For Twist Drain
4	010381-45	Gasket, 3" Face Flange
5	015306-45	Flange, 3" Face
6	010385-45	Strainer, 3" Snap-in
7	010388-45	Plunger, Twist Drain
8	010393-45	Handle Asm, Rotary Waste Valve Twist
9	011355-45	Tube, Overflow Elbow
10	011356-45	Head Asm, Overflow Tube
11	B-3945-BSP	Adapter, 2" NPT Male x 1 1/2" BSP Male



Also Furnished w/ Sealing Cap When Overflow Tube Coupling Nut is Not Used.  
PN# 012640-45

Product Specifications:

Rotary Waste Valve w/ Twist Handle, 3" Sink Opening, 2" Male NPT Outlet, 1 1/2" BSP Male Adapter & Overflow Tube w/ Head Asm.

Drawn DHL	Checked KJG	Approved JHB
Scale: 1:8		Date: 03/19/09