

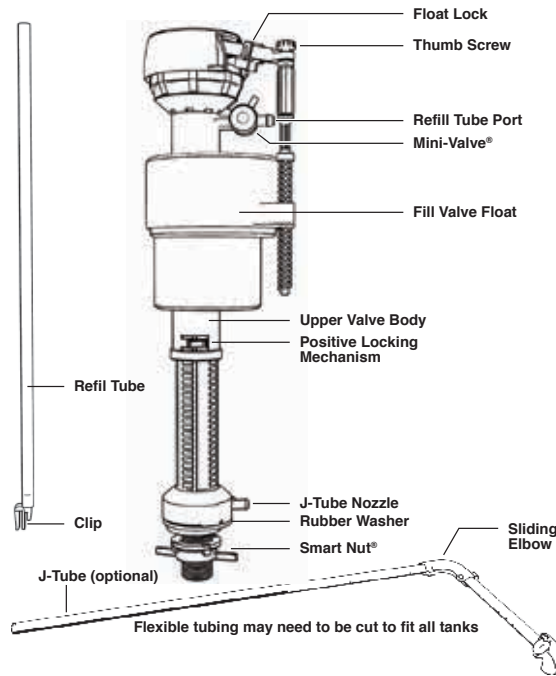
**Thank you for purchasing this Total Repair Conversion Kit**

This product helps the environment and your wallet by saving thousands of gallons (litres) of water every year!

# Installing The Water-Saving Fast Fill Valve

These instructions provide the manufacturer's recommendation for installing the fill valve and the dual flush converter together so that the maximum water savings can be achieved. These instructions are designed to work in most toilets. Your toilet may require additional adjustment to maximize water savings and optimize performance.

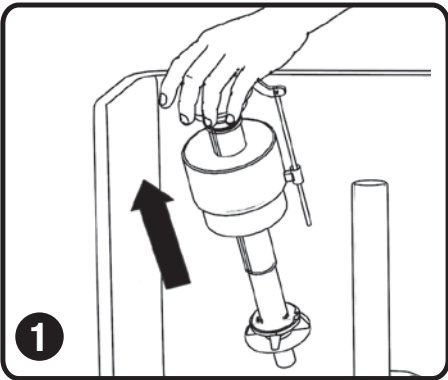
Refer to this illustration to familiarize yourself with terms for the parts of the Fill Valve.



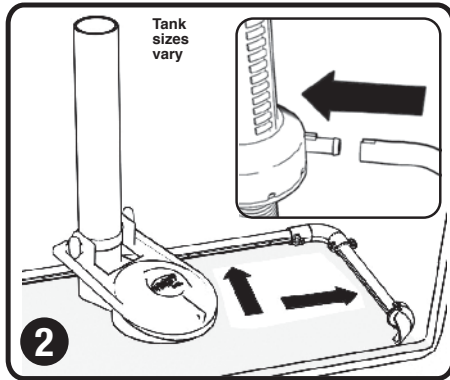
## BEFORE YOU BEGIN



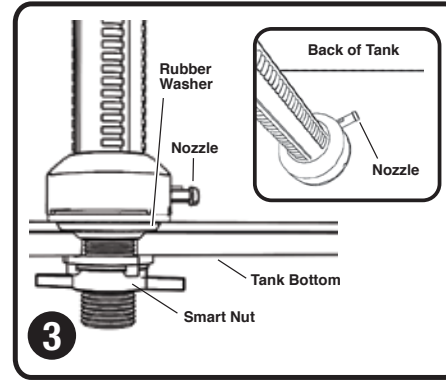
Mark this level before shutting off water or flushing toilet. This mark will be referred to in the Water Saving Tips and Tricks section.



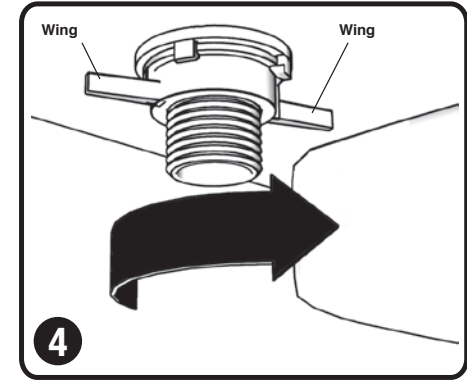
1 Shut off water, flush toilet to empty tank and remove old toilet fill valve.



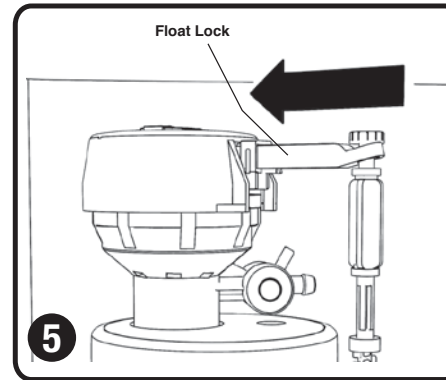
2 Lay J-tube along back of bottom of tank, with Sliding Elbow in back right-hand corner, as shown. Place Valve in tank to estimate J-tube length needed. Before attaching J-tube, adjust length by pulling J-tube through Sliding Elbow if needed. For small tanks, trim connecting end carefully to fit. Push J-tube onto bottom port of valve.



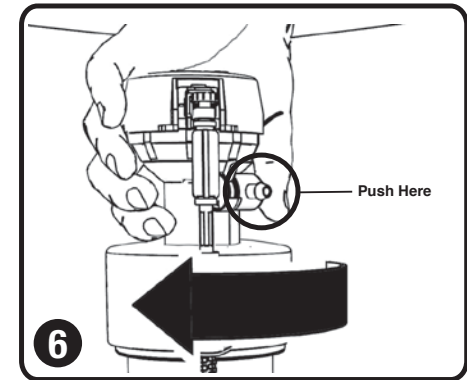
3 Install Valve with Rubber Washer seated as shown above. Nozzle should point back and right within tank.



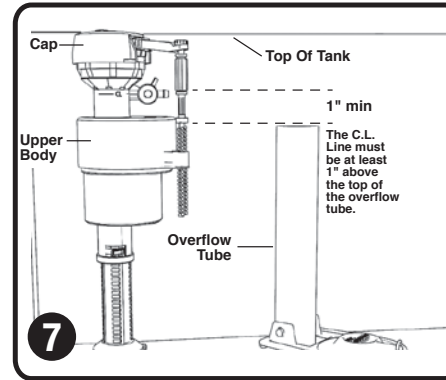
4 The Smart Nut should only be hand tightened and should make 1-3 audible clicks to signal it is tight. Wings are designed to bend if Smart Nut is overtightened, preventing leaks and cracking.



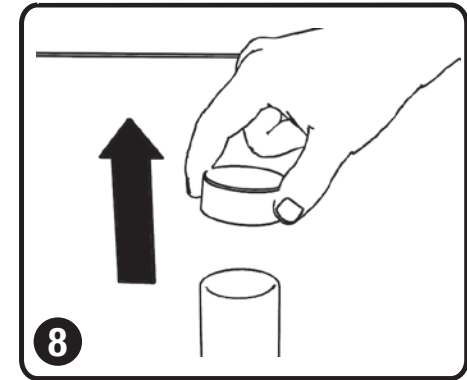
5 Engage white Float Lock by sliding towards Cap.



6 To adjust Valve height with unit installed in tank, grasp upper portion, placing thumb on gray side of Mini-Valve and push clockwise 1/4 turn. Slide Upper Body to adjust up or down.

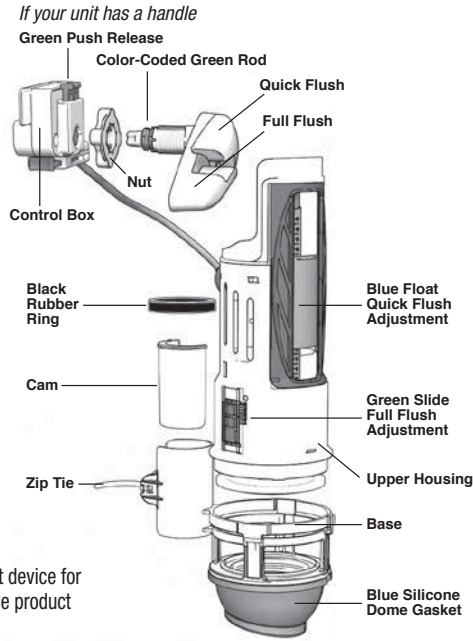
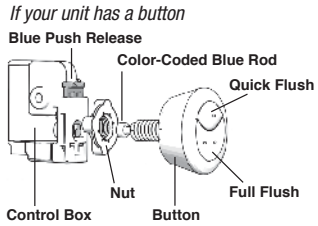


7 Adjust Valve height so that top of Cap is even with top of tank. This height should allow the final Float adjustment to be achieved with Thumb Screw (described later). Turn Upper Body counterclockwise to lock in Valve height.



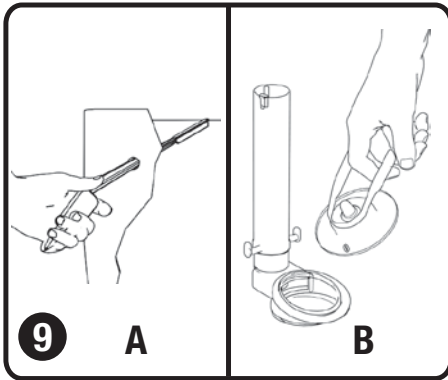
8 If overflow tube has a cap, remove it and discard before installing Refill Tube. Proceed to installing the dual flush converter.

# Installing the Dual Flush Converter\*

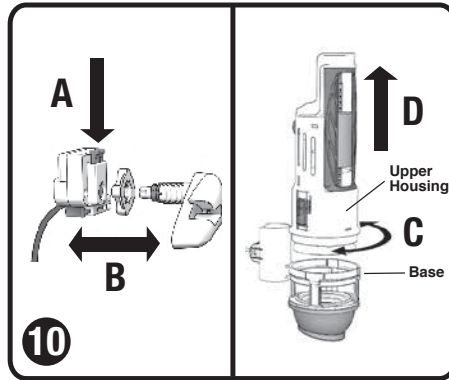


Refer to this illustration to familiarize yourself with terms for parts of the Dual Flush Converter

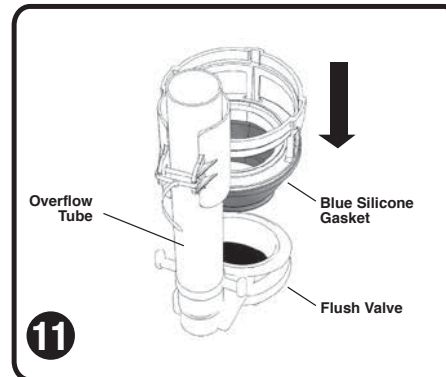
\*This device is not intended to be used as a retrofit device for 1.28 gpf water closets. Performance may vary since product was not tested on all models of water closets.



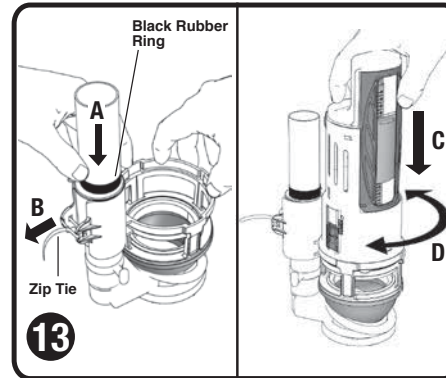
- A. Turn off water (optional). Flush toilet.  
B. Disconnect and remove flapper and handle.



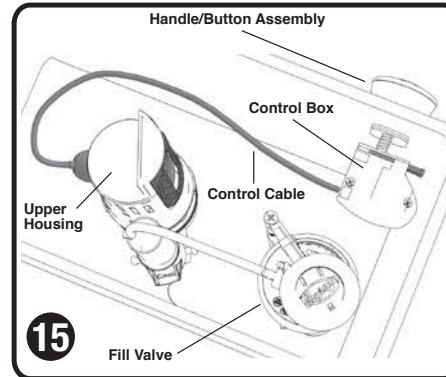
- A. Push in Blue or Green Release.  
B. Separate Handle or Button.  
C. Twist Upper Housing to unlock.  
D. Pull up from Base to separate.



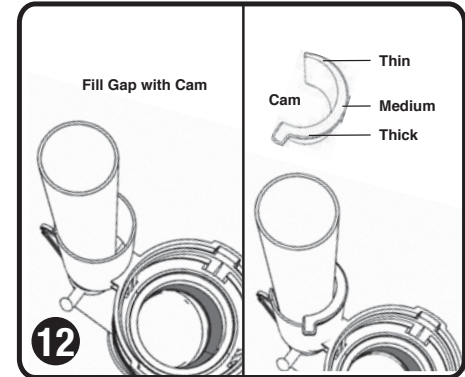
Slide Base down overflow tube, seating Blue Silicone Gasket into flush valve. Unit is designed to install vertically with both angled and straight flush valve openings.



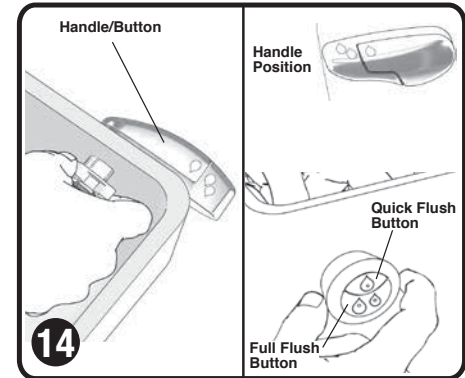
- A. Slide Black Rubber Ring onto overflow tube. Maintain slight downward pressure to Rubber Ring.  
B. Then pull Zip Tie tight.  
C. Attach Upper Housing to Base.  
D. Twist to lock in place.



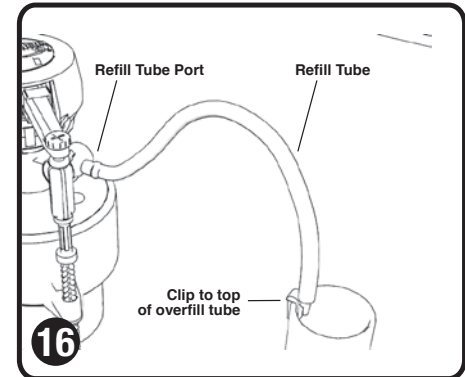
Match the color-coded hole to the corresponding Handle/Button connection pieces, attach white Control Box to Handle/Button. Audible click assures that Clip has secured Control Box to Handle/Button and unit will no longer pull apart without pushing the Green or Blue Push Release. **CONTROL BOX AND CONTROL CABLE MUST NOT TOUCH FILL VALVE OR INTERFERE WITH FILL VALVE'S OPERATION.**



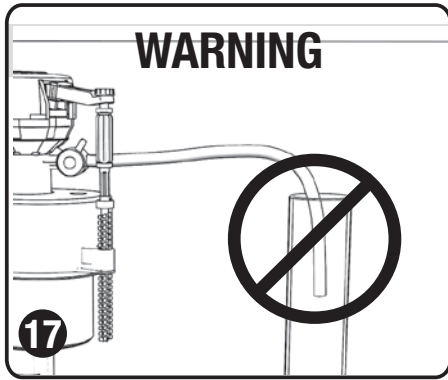
If gap appears around overflow tube, estimate width of space and use with thick, medium or thin section of Cam, as needed to fill gap.



For units with Handle, position and hand tighten Handle in a standard operating position.  
For units with Button, hand tighten Button with smaller Quick Flush Button positioned above the Full Flush Button.



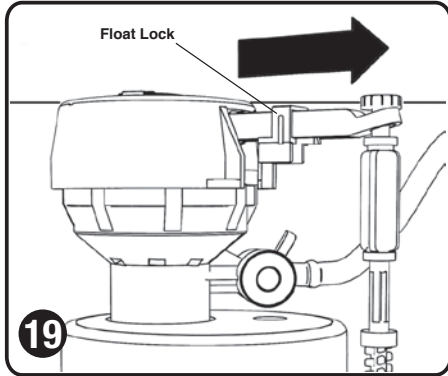
Install Refill Tube of fill valve. Attach Clip to overflow tube. Trim tubing to size to prevent kinking and install tubing onto the Mini-Valve Refill Tube Port.



## WARNING

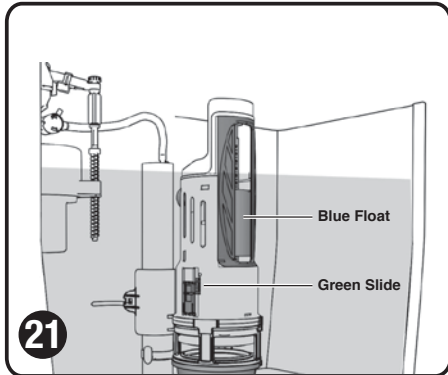
17

NOTE: Refill Tube must be positioned above overflow tube.  
DO NOT INSERT REFILL TUBING DOWN OVERFLOW PIPE.  
This improper installation violates plumbing code and could result in a leak.



19

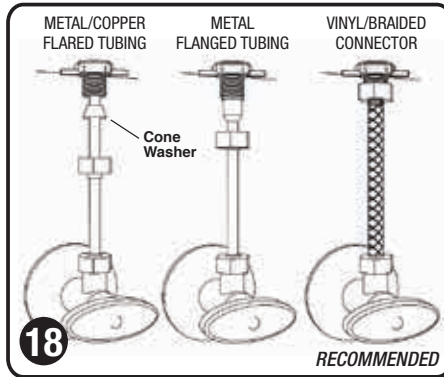
Turn on water and when water is clear, disengage Float Lock to fill tank. This will prevent debris from plugging up Valve.



21

Adjust Blue Float. Top of Float must be at least 1/2" (13 mm) below water level.  
In most cases water level can be raised by adjusting the fill valve.

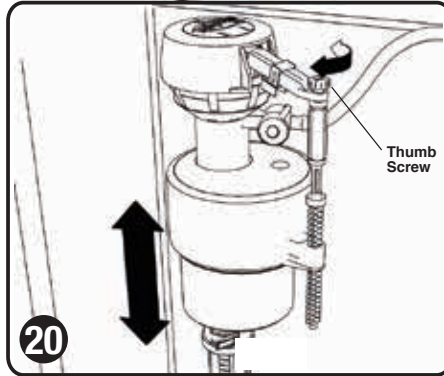
**Quick Flush = Blue Float**  
Up = less water Down = more water  
**Full Flush = Green Slide**  
Up = less water Down = more water



18

RECOMMENDED

DO NOT OVERTIGHTEN. We recommend replacing an old, rigid metal water supply. We recommend replacing an old, rigid metal water supply line with a flexible, braided supply line.  
DO NOT USE PLUMBER'S PUTTY TO SEAL FITTINGS.



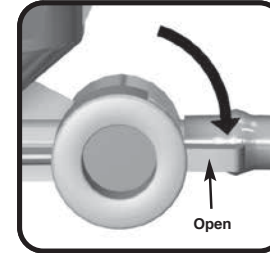
20

A Thumb Screw is provided to fine-tune adjustments to float. Proper water level should be indicated inside tank or 1/2" to 1" (13 - 25 mm) below overflow tube.

## Water-Saving Tips

The following steps illustrate adjustments to the Mini-Valve® and Quick Flush Float to maximize savings.

Begin with the Mini-Valve in the OPEN position.



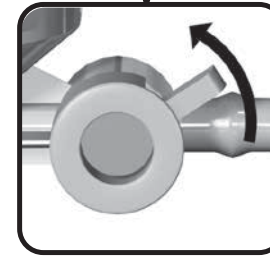
Flush the Quick Flush button/handle and watch as the bowl refills.

If the water continues to ripple after reaching the pencil mark...



If the water is lower than the pencil mark after the tank fills...

... turn the Mini-Valve counter-clockwise.



... adjust the Quick Flush Blue Float downwards, or open Mini-Valve.

Continue adjusting the Mini-Valve or Blue Float until the water reaches the pencil mark at the same time as the tank finishes filling.



Your Fill Valve and Dual Flush Converter are now calibrated to save you thousands of gallons (litres) of water year after year.

## IMPORTANT NOTE

Adjustment is for Quick Flush. Rippling will occur on Full Flush.

# TROUBLESHOOTING

The Dual Flush Converter was designed to be quickly installed and easy to use. Most people will be on their way to saving water and money after our quick installation process. However, since not all toilets are exactly the same, you may need a few simple adjustments to use this product. Below are some troubleshooting tips:

## My Quick Flush Button/Handle must be held, in order to flush.

### Check Button/Handle

Be sure that Quick Flush Button/Handle is fully engaged when pressed. If Button/Handle is pressed in fully (1/2" - 13 mm), and it still needs to be held, proceed to the next step.

### Check Blue Float

The Blue Float controls the amount of water used during Quick Flush. Lower it to allow for more water to be used during Quick Flush. Test Quick Flush Button/Handle after this adjustment is made. If Blue Float is all the way down, proceed to next step.

### Check Control Cable

The Control Cable could be bent. Disconnect the Button/Handle Assembly from the toilet tank. Straighten Cable by bending in the opposite direction. Reattach Button/Handle to Gearbox and test Quick Flush. If Quick Flush works with wire straight, reinstall Button/Handle Assembly keeping Cable as straight as possible. If Quick Flush Button/Handle still needs to be held, then there is not enough water in the tank.

Please proceed to Water Level Adjustment below.

## My toilet bowl doesn't fully empty with Quick Flush.

### Check Water Level

There may not be enough water in the tank. Check Water Level Adjustment, the toilet bowl jets may be plugged, or you may have to go back to WATER SAVING TIPS on previous page.

### Check Jets

Clean out the toilet bowl jets that are located underneath the rim of the toilet bowl. There are (approximately) 20 jets that can get clogged with lime and sediment. This buildup will affect flush power. Cleaning these jets out will improve toilet performance and efficiency. A wire coat hanger can be bent at a 90 degree angle to poke into each of the jets. There is typically 1 main jet located in the bowl (normally about the size of a nickel) that should be checked as well.



### Check Bowl Water Level

Go to WATER SAVING TIPS on previous page.

## My tank is refilling and toilet was not flushed

### Check Blue Dome Gasket:

Blue Dome Gasket was not properly seated against the flush valve opening during installation process. Apply Float Lock on Fill Valve to shut off water and press Full Flush Button to empty toilet tank. Disconnect Control Box and remove Housing, Base and Cam. Cut Zip Tie (replace with extra Zip Tie). Reinstall by using steps 10-13 of instructions. Disengage Float Lock to allow tank to refill. Mark the water level inside the tank with a pencil and re-apply Float Lock. Wait fifteen minutes. Check pencil mark in tank. If water level is still up to the pencil mark, then Blue Dome Gasket is now seated properly. If water level is below, check Blue Dome gasket.

## Water Level Adjustment

1. Raise the water level in the tank by pushing down on the Fill Valve Float.
2. Press the Quick Flush button.
3. If the Quick Flush works with higher water level, then adjust the Fill Valve to allow more water into the tank.

For more questions and water saving tips go to [www.nextbydanco.com](http://www.nextbydanco.com) or call 800-523-5135 Monday-Friday 9 a.m. to 5 p.m. CST

## Limited Warranty

This *Next by Danco* product is warranted to be free from defective materials and workmanship for the period of one (1) year after initial installation unless otherwise specified in writing. Defective units returned to *Next by Danco* will be replaced without charge. This warranty applies only to the original purchase and installation of *Next by Danco* products.

Subject to the "Exclusions" set forth below, *Next by Danco* promises to the consumer to repair, or at the option of *Next by Danco* to replace any part of this plumbing product which proves to be defective in workmanship or materials under normal use from the date of purchase. All costs of removal, transportation and reinstallation to obtain warranty service shall be paid by the consumer. During this Warranty, *Next by Danco* will provide subject to the "Exclusions" section set forth below, all replacement parts free of charge, necessary to correct such defects.

EXCLUSIONS: THIS WARRANTY SHALL BE VOID IF THE PRODUCT HAS BEEN MOVED FROM ITS INITIAL PLACE OF INSTALLATION; IF IT IS HAS BEEN SUBJECTED TO FAULTY MAINTENANCE, ABUSE, MISUSE, ACCIDENT, OR OTHER DAMAGES; IF IT WAS NOT INSTALLED IN ACCORDANCE WITH *NEXT BY DANCO'S* INSTRUCTIONS; OR IF IT HAS BEEN MODIFIED IN A MANNER INCONSISTENT WITH THE PRODUCT AS SHIPPED BY *NEXT BY DANCO*. *NEXT BY DANCO* SHALL NOT BE RESPONSIBLE OR LIABLE FOR ANY DAMAGES CAUSED BY PRODUCTS THAT WERE NOT MANUFACTURED *NEXT BY DANCO* OR DAMAGES CAUSED BY IMPROPER INSTALLATION.

*NEXT BY DANCO'S* OPTION TO REPAIR, EXCHANGE, OR PROVIDE A REFUND FOR THE PRODUCT UNDER THIS WARRANTY DOES NOT COVER ANY LABOR OR OTHER COSTS OF REMOVAL OR INSTALLATION. *NEXT BY DANCO* SHALL NOT BE RESPONSIBLE FOR AND DISCLAIMS ANY LIABILITY FOR SUCH COSTS OR FOR ANY OTHER INCIDENTAL OR CONSEQUENTIAL DAMAGES, INCLUDING WITHOUT LIMITATION COSTS OF INSTALLATION, WATER DAMAGE, PERSONAL INJURY, ATTRIBUTABLE TO A PRODUCT DEFECT OR TO THE REPAIR, EXCHANGE, OR REFUND OF A DEFECTIVE PRODUCT, ALL OF WHICH ARE EXPRESSLY EXCLUDED FROM THIS WARRANTY. IMPLIED WARRANTIES, INCLUDING THAT OF MERCHANTABILITY OR FITNESS FOR PURPOSE INTENDED ARE EXPRESSLY LIMITED TO THE DURATION OF THIS WARRANTY. (SOME STATES OR PROVINCES DO NOT ALLOW THE EXCLUSION OR LIMITATION OF IMPLIED WARRANTIES, SO THIS EXCLUSION OR LIMITATION MAY NOT APPLY.)

This warranty gives you specific legal rights. You may have other statutory rights that vary from state to state or from province to province, in which case this warranty does not affect such statutory rights.

### OPTIONAL/IF APPLICABLE:

This warranty does not apply to local building code compliance. Since local code requirements vary greatly throughout the country, Distributors, Authorized Service Representatives, Dealers, Installation Contractors, and users of plumbing products should determine whether there are any code restrictions applicable in any way to the product to insure local code compliance before installation. *Next by Danco* makes no representation or warranty regarding, and shall not be responsible for, any code compliance.

 **Next™** by Danco™

2727 Chemsearch Boulevard

Irving, Texas 75062

HYR451/HYR460

Ph. (800) 523-5135

[www.nextbydanco.com](http://www.nextbydanco.com)

©2015 Danco, Inc. All Rights Reserved

HYR451/HYR460 E/S 07/2015