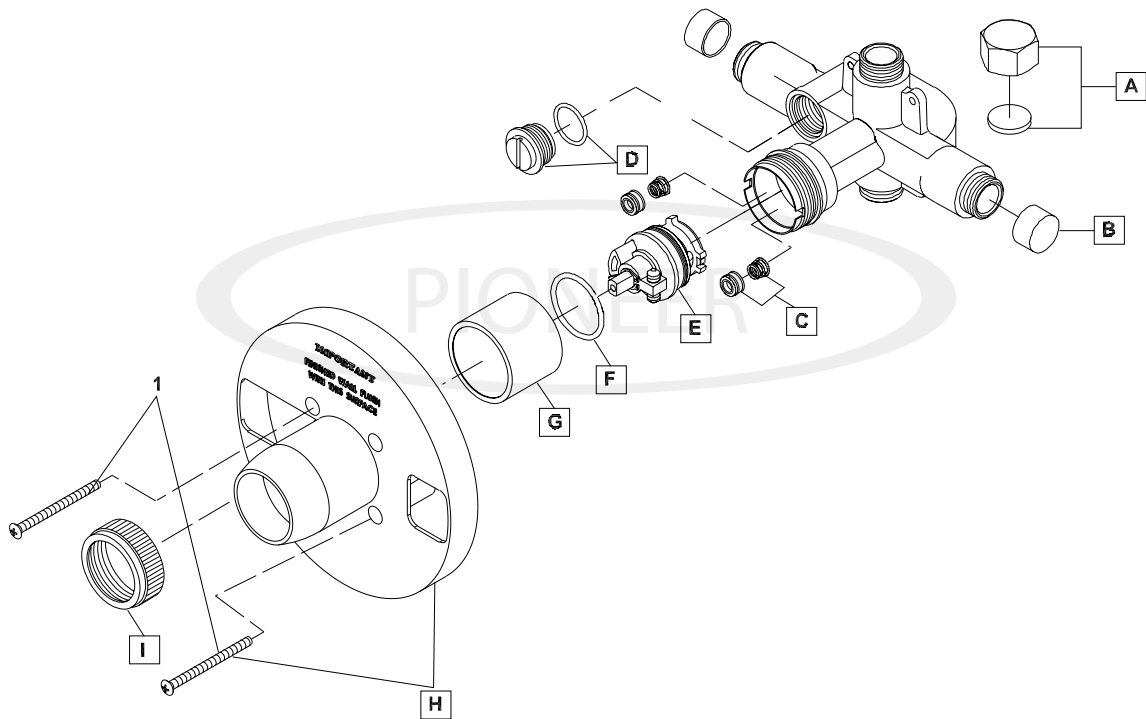


	ITEM#	DESCRIPTION
A	X-4900025	Cap & Washer
B	X-4400007	Protective Cover
C	X-4900019	Springs and Seats
D	X-4400010	Test Plug
E	X-3400001	Cartridge
F	X-4400008	Sleeve O-Ring
G	X-4400009*	Sleeve
H	X-4400011	Mud Guard Plate
I	X-4400012*	Retainer Ring
1	X-4400013	Mud Guard Plate Screws

* Note- Please specify finish/color code while ordering.



Product Diagram



ENGINEERING EXCELLENCE

Pioneer: 1-800-338-9468
 Commerce, CA 90040
 www.pioneerind.com
 Pioneer Industries, Inc. © 2009