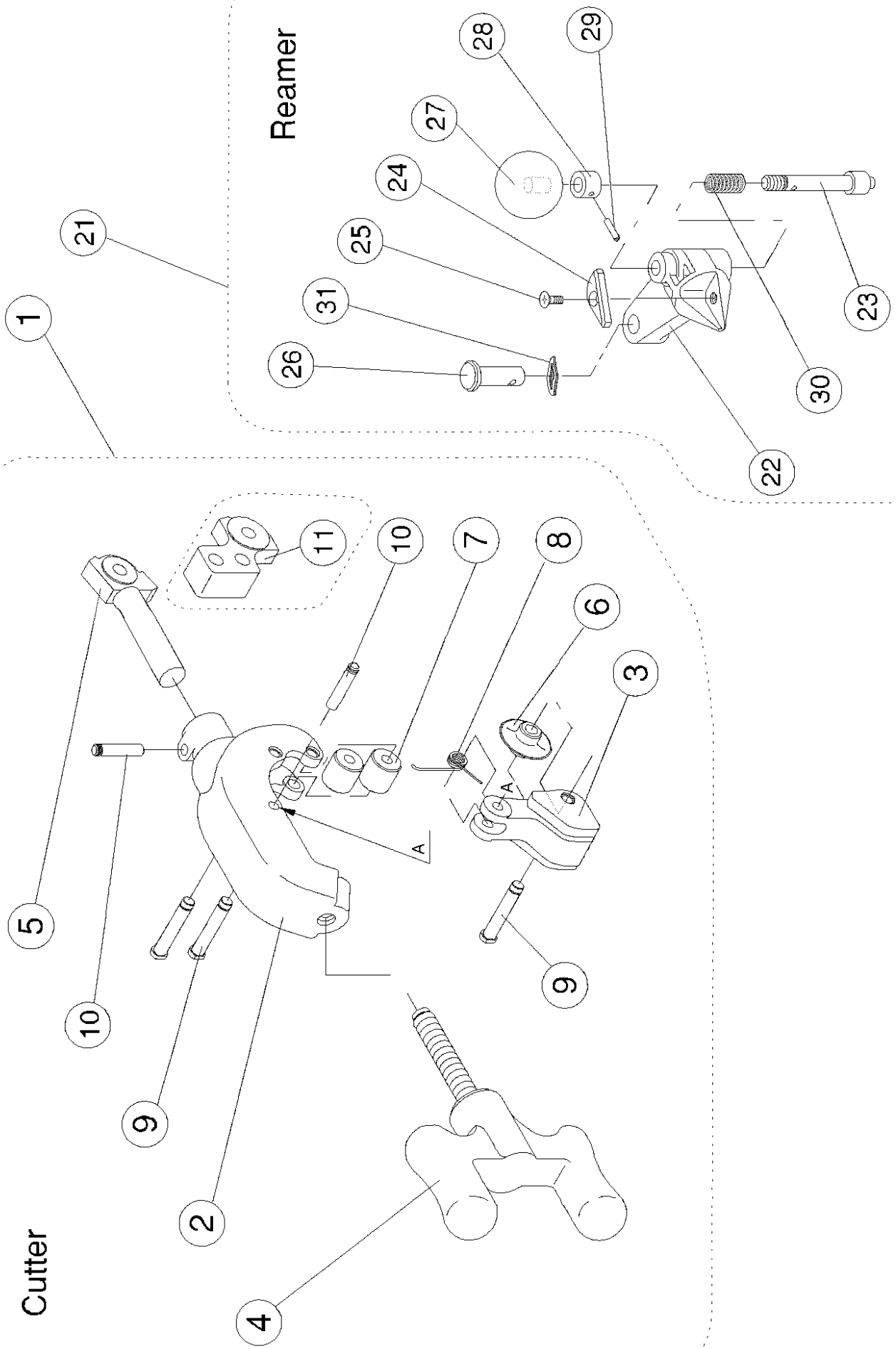


4. Cutter Reamer 7991



7991 4. Cutter and Reamer

Number	Wheeler P/N	Description	Set	Rex Part No.	Notes
1	606697	Complete cutter assy (2 - 10)	1	OMCU2S	+MY47+HU61
2	606696	Cutter frame	1	MY45	
3	606698	Cutter guide	1	MY46	
4	606699	Cutter handle	1	MY48	
5	606700	Cutter arm	1	MY47	
6	60322	Cutter wheel	1	135070	6991
7	602025	Cutter roll	1	HY57	6991
8	602024	Spinr	1	HY63	6991
9	602022	Cutter pin A	1	CT07	6991
10	602023	Cutter guide pin	1	HY61	6991
11	606701	Cutter arm for carbide cutter	1	MY93	
12					
13					
14					
15					
16					
17					
18					
19					
20					
21	606702	Complete reamer assembly	1	ORMRM1S	
22	606703	Reamer body	1	MY50	
23	606704	Reamer fixing shaft	1	MY54	
24	606705	Reamer Blade	1	MY52	
25	606706	Oval head machine screw M4x8	1	W345	
26	606707	Reamer rotation shaft	1	MY53	
27	606708	Reamer grip	1	MY56	
28	606709	Reamer fixing shaft collar	1	MY55	
29	606710	Roll Pin 3x14	1	WL3A	
30	606711	Reamer fixing shaft spring	1	MY94	
31	606584	Wave washer #WW-12	1	WH12	