



4700 W. 160th St.  
Cleveland, Ohio 44135  
Ph: (800) 321-9532  
Fax: (800) 321-9535  
www.oatey.com

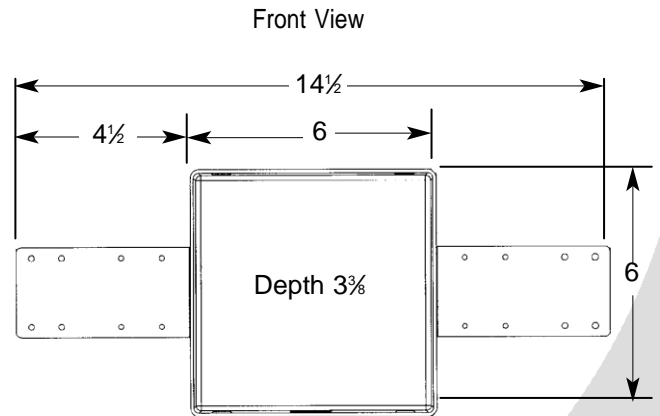
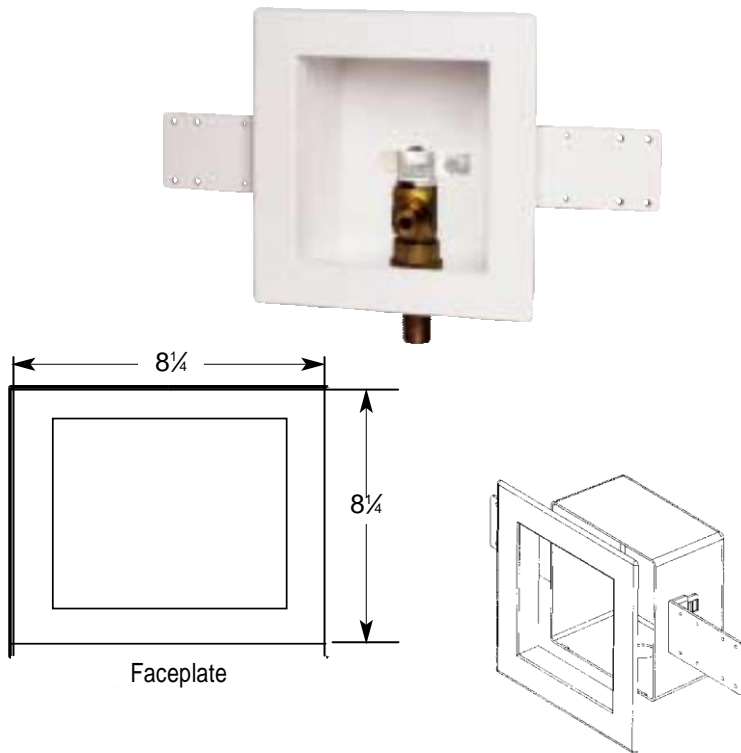
# Ice Maker Outlet Boxes



## SUBMITTAL SPECIFICATION

**Engineering Specification:** Oatey Ice Maker boxes can be used in commercial or residential applications which require supply valves recessed into the wall. Available water hammer arrestor option provides water pressure shock arrestors required for installation on supply lines to quick closing valves.

Job Reference



(All dimensions in inches)

- Provides quick, safe water supply and shut-off for refrigerator ice maker and water dispenser
- Box made of high impact polystyrene
- 2 support brackets
- Snap-on faceplate frame accommodates up to 1" drywall
- Valves comply with requirements of NSF 61, Section 9

✓	Prod. No	Description
	38574	1/4 Turn Brass Ball Valve - Copper Sweat - Standard Pack w/6' Stainless Steel Hose
	38570	1/4 Turn Brass Hammer Ball Valve - Copper Sweat - w/6' Stainless Steel Hose
	38575	1/4 Turn Brass Ball Valve - 1/2" ASTM F1807 PEX- Standard Pack
	38572	1/4 Turn Brass Hammer Ball Valve - 1/2" ASTM F1807 PEX- Standard Pack
	38578	1/4 Turn Brass Hammer Ball Valve - ASTM F1807 PEX
	38579	1/4 Turn Brass Hammer Ball Valve - 3/8" PEX
	38602	1/4 Turn Brass Hammer Ball Valve - CPVC - Standard Pack (6 per)
	38604	1/4 Turn Brass Hammer Ball Valve - ASTM F1807 PEX - Standard Pack (6 per)
	38605	1/4 Turn Brass Hammer Ball Valve - ASTM F1960 - Standard Pack (6 per)
	38607	1/4 Turn Brass Hammer Ball Valve - Copper Sweat - Display Pack (6 per)
	38608	1/4 Turn Brass Hammer Ball Valve - Copper Sweat - Standard Pack (6 per)
	38623	1/4 Turn Brass Ball Valve - CPVC - Standard Pack w/6' Stainless Steel Hose
	38624	1/4 Turn Brass Ball Valve - ASTM F1960 PEX - w/6' Stainless Steel Hose
	38571	1/4 Turn Brass Hammer Ball Valve - CPVC - Standard Pack w/6' Stainless Steel Hose
	38680	1/4 Turn Brass Ball Valve - CPVC - Standard Pack (6 per)
	38681	1/4 Turn Brass Ball Valve - Copper Sweat - Standard Pack (6 per)
	38683	1/4 Turn Brass Ball Valve - Copper Sweat - Contractor Pack (12 per)
	38684	1/4 Turn Brass Ball Valve - ASTM F1807 PEX - Standard Pack (6 per)
	38685	1/4 Turn Brass Ball Valve - CPVC - Contractor Pack (12 per)
	38690	1/4 Turn Brass Ball Valve - Copper Sweat - No Faceplate - Tract Pack (6 per)
	38691	1/4 Turn Brass Ball Valve - ASTM F1807 PEX - Contractor Pack (12 per)
	38692	1/4 Turn Brass Ball Valve - ASTM F1974 PEX - Standard Pack (6 per)
	38693	1/4 Turn Brass Ball Valve - ASTM F1960 PEX - Standard Pack (6 per)
	38739	Boiler Drain Valve - Copper Sweat - Contractor Pack (12 per)
	38805	Plain Box - No Valve - No Hole - Standard Pack (6 per)
	38806	Plain Box - No Valve - No Hole - Standard Pack - With Grommet (6 per)
	38807	North American Boiler Drain Valve - Copper Sweat - Standard Pack (6 per)
	38808	1/4 Turn Brass Ball Valve - Copper Sweat - Display Bag
	38810	Plain Box - No Valve - Standard Pack (6 per)
	38812	Plain Box - No Valve - No Faceplate - Tract Pack (6 per)
	38823	1/4 Turn Brass Ball Valve - Copper Sweat - Display Box
	38950	1/4 Turn Brass Ball Valve - ASTM F1807 PEX - Display Bag
	38951	Boiler Drain Valve - CPVC - Standard Pack (6 per)

Valves meet ASME A112.18.1 Water Ham  
Data is subject to manufacturing tolerances.