

**Lustertone® Sink Tops**  
**S Series**  
**Single Bowl – Double Drainboards with**  
**Integral Backsplash**



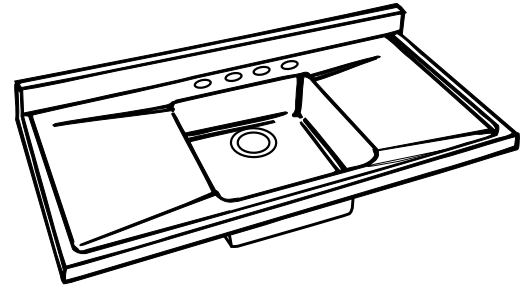
**SPECIFICATIONS**

**GENERAL**

#18 gauge, type 304 stainless steel sinktop with integral bowl, fan pitched drainboards and backsplash. All exposed surfaces hand-blended to a lustrous highlighted Lustertone® satin finish. Designed for use with standard size base cabinet. (Custom sizes are available by contacting an Elkay Representative.)

**DESIGN FEATURES**

- Bowl Depth: 7-1/2".
- Coved Corners: 1-3/4" radius.
- Sinktop Thickness: 1-1/2".
- Backsplash: 4" high, full length, 1/4" coved corner.
- Outside edge of sink and drainboards have a 5/32" raised rim.
- Drain Opening: 3-1/2".
- Underside is fully undercoated.
- Each unit has wood mounting strips attached to underside for fastening top to cabinet.
- Stocked in four faucet holes only. Other hole drilling locations are available made to order.



Model S5419

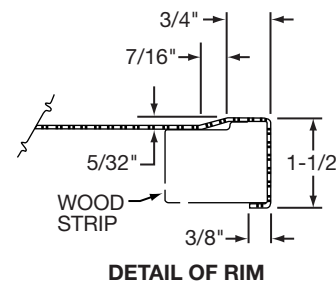
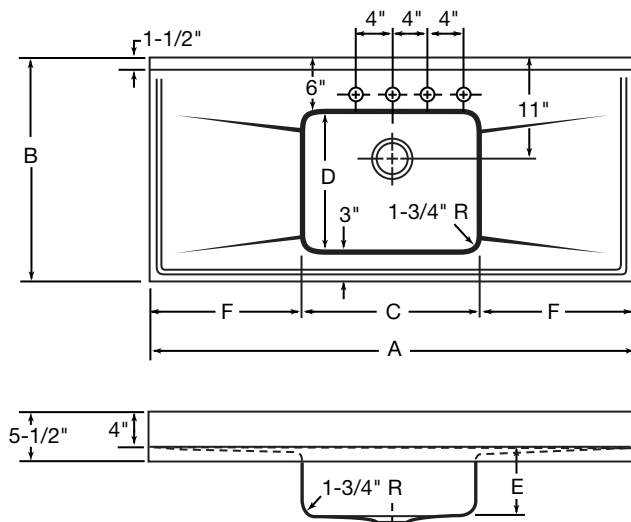


This sink is listed by the International Association of Plumbing and Mechanical Officials as meeting the requirements of the Uniform Plumbing Code.

**SINK DIMENSIONS (INCHES)\***

Model Number	Overall		Inside Bowl			Drainboard		Drain Location	Drain Location	No. of 1 3/8" Faucet Holes 4" Center	Ship. Wt. Lbs.
	L	W	L	W	D	L	Location				
S5419	54	25	19	16	7 1/2	17 1/2	L & R	Rear Center	4	55	
S6019	60	25	19	16	7 1/2	20 1/2	L & R	Rear Center	4	60	
S7219	72	25	19	16	7 1/2	26 1/2	L & R	Rear Center	4	75	

\*Length is left to right. Width is front to back.



ALL DIMENSIONS IN INCHES, TO CONVERT TO MILLIMETERS MULTIPLY BY 25.4.

*In keeping with our policy of continuing product improvement, Elkay reserves the right to change product specifications without notice.*

*This specification describes an Elkay product with design, quality and functional benefits to the user. When making a comparison of other producers' offerings, be certain these features are not overlooked.*