

Item No.:	_____	Qty.	_____
Model No.:	_____		
Project No.:	_____		



Specifications

14" Standard Series Sink, with three compartments, no drainboards, 9" backsplash, 16 gauge, 300 series stainless steel top and bowl, galvanized legs & adjustable feet, raised 1-1/2" rolled edge, includes 3-1/2" basket strainer, NSF approved

Features

- 16 Ga. stainless steel
- Welded construction for consistent metal gauge thickness throughout
- 14" (355.6 mm) deep tub with 3/4" (19.1 mm) coved radius tub corners
- 9" (228.6 mm) backsplash with tile ledge for easy installation
- Raised 1-1/2" (38.1 mm) rolled edge
- 3-1/2" (88.9 mm) drain with basket strainers included
- 1-5/8" (41.3 mm) galvanized legs with 1" (25.4 mm) adjustable plastic feet
- 2" (50.8 mm) divider between each tub

Flyer Product

In keeping with our policy of continuing product improvement, Elkay SSP reserves the right to change product specifications without notice.

Elkay SSP

421 N. Freya St.
Spokane, WA 99205
Phone: 800-726-0553 Fax: 509-535-1493

SNK-143COX13MAY2011

14" Standard Series Sinks

14" Deep Standard Series Three Compartment Stainless Steel Sinks

- 14-3C16X20-0X**
- 14-3C18X24-0X**
- 14-3C24X24-0X***

Options

- Faucets
- Tub Accessories
- Undershelves
- Rotary Drain Options
- H-Frame Stainless Steel Legs
- Stainless Steel Feet Options (bullet & flange styles)

Materials

- Sink & Bowl: 16 Ga. 300 series stainless steel
- Top: Backsplash is 16 gauge 300 series stainless steel.
- Legs: All sinks furnished with 1-5/8" (41.3 mm) diameter heavy gauge galvanized tubing with plated galvanized leg gussets and high impact corrosion resistant fully adjustable 1" (25.4 mm) feet.

Mechanical

- 1-1/8" (38mm) faucet holes on 8" (203mm) centers
- 3-1/2" (89mm) waste drain opening



AUTOQUOTES



This specification describes an Elkay SSP product with design, quality and functional benefits to the user. When making a comparison of other producers' offerings, be certain these features are not overlooked.

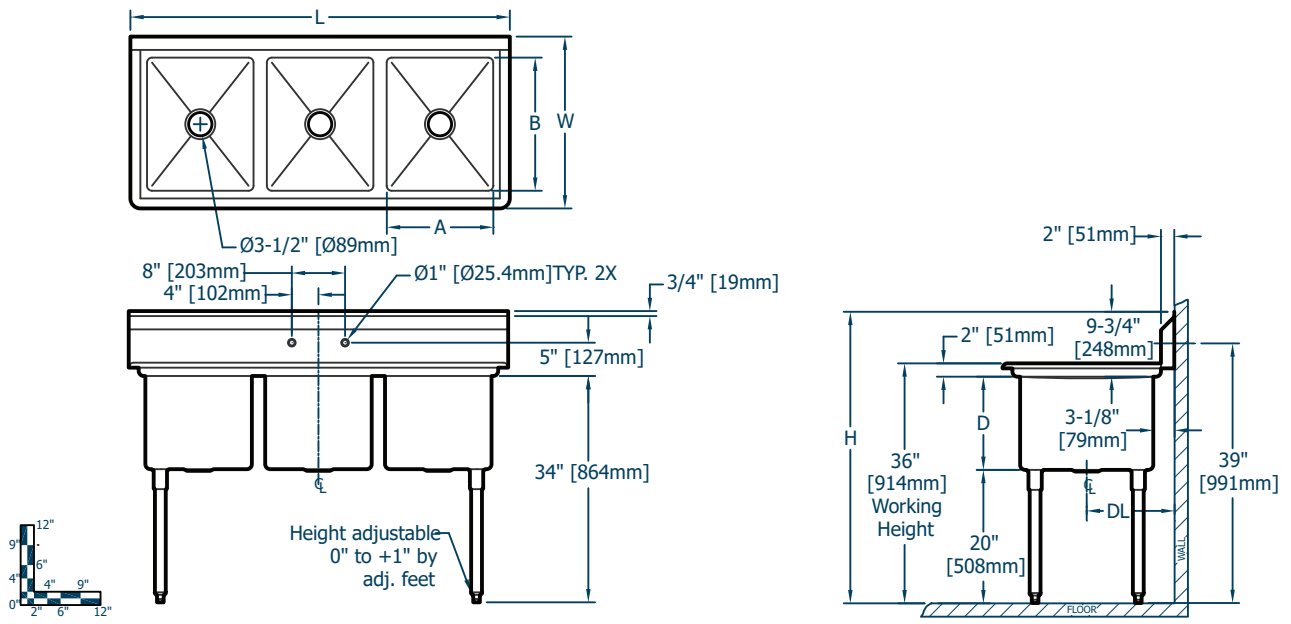
Website: www.sspinc.net
Email: sspsales@elkay.com
©2011 SSP INC.



Item No.: _____ Qty. _____
 Model No.: _____
 Project No.: _____

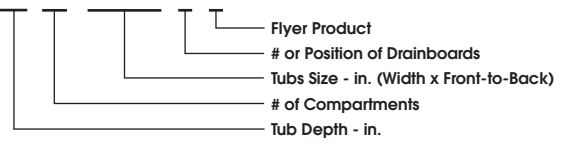
14" Standard Series Sinks

14" Deep Standard Series Three Compartment Stainless Steel Sinks



14" Standard Series Sinks

Model Number	Bowl Dimensions						Overall Size						Drainboard		Drain		Weight		
	Width		Front-to-Back		Depth		Length		Width		Height		Location	Size DB	Location	DL	lbs.	kg	
	A	B	D	L	W	H													
14 3C 16 X 20 0 X	16	406	20	508	14	356	57	1448	25.8	656	43.8	1111	No	0	0	13	330	263	119
14 3C 18 X 24 0 X	18	457	24	610	14	356	63	1600	29.8	757	43.8	1111	No	0	0	15	381	304	138
14 3C 24 X 24 0 X*	24	610	24	610	14	356	81	2057	29.8	757	43.8	1111	No	0	0	15	381	363	165



*This model includes two sets of faucet holes.

Elkay SSP
 421 N. Freya St.
 Spokane, WA 99205
 Phone: 800-726-0553 Fax: 509-535-1493

Website: www.sspinc.net
 Email: sspsales@elkay.com
 ©2011 SSP INC.