



RESIDENTIAL GAS REPLACEMENT PARTS LIST

Ultra Low NOx Direct Vent Energy Saver Models



“UDS” Series

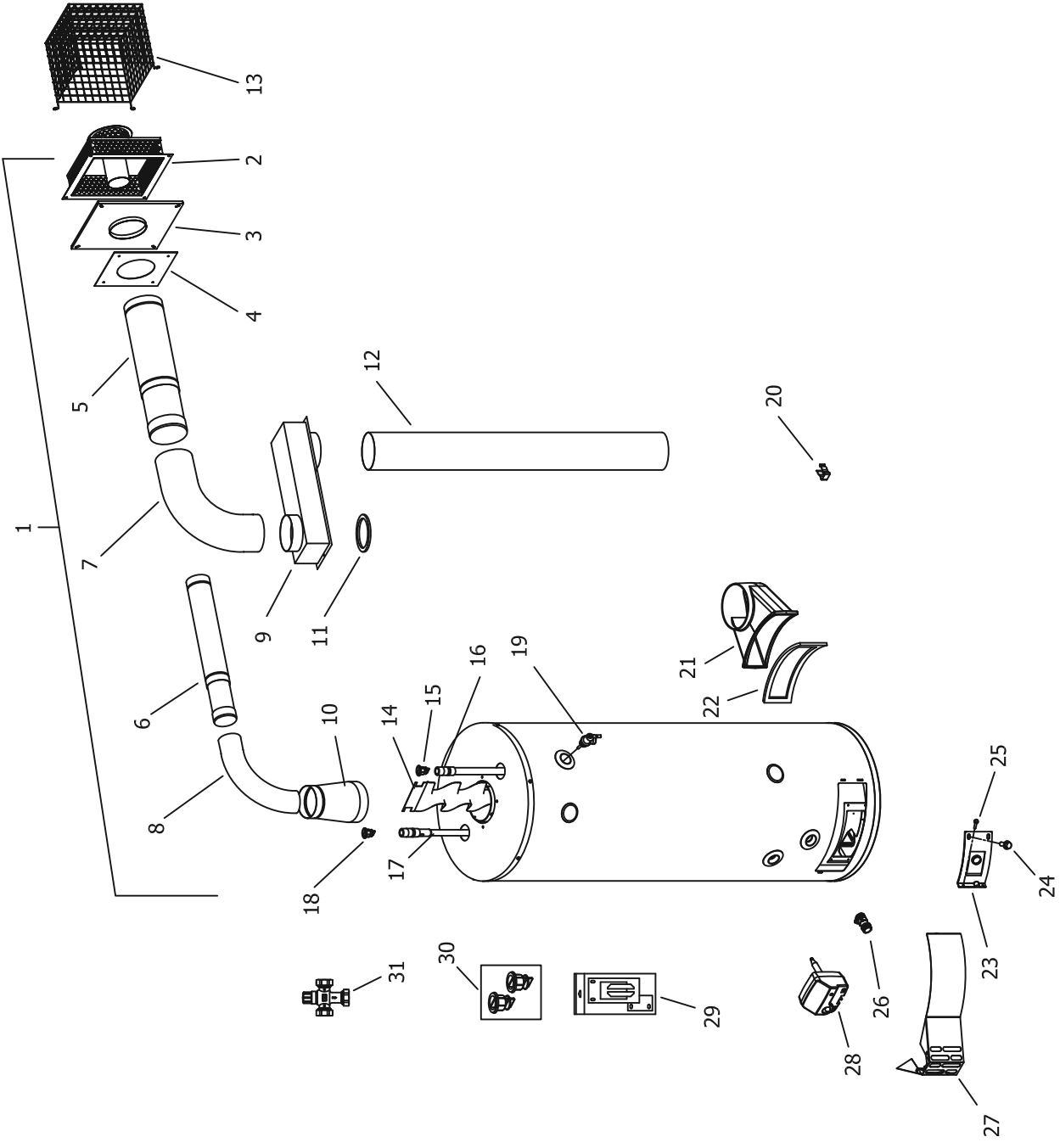


Includes Hydrojet®
Total Performance System

Effective: September, 2011
ECO 7593

**NOTE: BOTH MODEL AND SERIAL
NUMBERS ARE REQUIRED FOR
ORDERING REPLACEMENT PARTS**

Dimensions and specifications
subject to change without notice.



Item	Description	Model UDS140S*FRN (-ONLY,-FLEX,-SOLID)	Model UDS150S*FRN (-ONLY,-FLEX,-SOLID)
1	Vent Package (Solid)	239-47810-00	239-47810-00
	Vent Package (Flexible)	239-47812-00	239-47812-00
2	Direct Vent-Air Intake Terminal (Flexible & Solid)	239-41425-00	239-41425-00
3	Outer Wall Mounting Plate (Flexible & Solid)	239-41431-00	239-41431-00
4	Inner Wall Mounting Plate (Flexible & Solid)	239-41433-00	239-41433-00
5	Five inch Diameter Telescopic Air Intake Tube (Solid Only)	239-41006-00	239-41006-00
6	Three inch Diameter Telescopic Vent Tube (Solid Only)	239-41005-00	239-41005-00
7	Five inch Diameter Elbow (Solid Only)	239-41007-00	239-41007-00
8	Three inch Diameter Elbow (Solid Only)	239-41008-00	239-41008-00
9	Plenum	239-47663-00	239-47663-00
10	Flue Reducer	239-41009-00	239-41009-00
11	Plenum Gasket	239-41070-01	239-41070-01
12	Air Intake Tube	239-47664-01	239-47664-02
13	Direct Vent-Air Intake Terminal Guard (Optional)	239-41453-00	239-41453-00
14	Flue Baffle	243-47511-00	243-47412-00
15	Heat Trap Insert (Inlet)	239-45073-00	239-45073-00
16	Cold Water Inlet Dip Tube Polysulfone ▲▲	229-39628-04	229-39628-06
17	Hot Water Outlet Anode Magnesium ▲	224-47776-05	224-47776-07
	Aluminum ▲	224-47778-05	224-47778-07
	A420 Aluminum ▲#	224-49560-08	224-49560-08
18	Heat Trap Insert (Outlet)	239-45167-00	239-45167-00
19	T&P Relief Valve	230-32920-01	230-32920-01
20	Feedline spring clip	239-47475-00	239-47475-00
21	Air Intake Boot	239-47771-18	239-47771-18
22	Air Intake Boot Gasket	239-47817-00	239-47817-00
23	Right Side Inner Door	239-48216-18	239-48216-18
24	Screw-#10-12 x 3/4 HWH	239-44113-00	239-44113-00
25	Screw-#8-18 x 3/4 HWH	239-44195-00	239-44195-00
26	Brass Drain Valve	265-42351-02	265-42351-02
27	Outer Door	239-46209-00	239-46209-00
28	Gas Control Direct Replacement Natural Gas	239-48798-01	239-48798-01
	Gas Control Universal Replacement Natural Gas	----	----
29	Inner Door Gasket Kit	239-49597-00	239-49597-00
30	Heat Trap Insert Kit	265-45420-00	265-45420-00
31	ASSE Approved Mixing Valve (Optional)	239-43740-01	239-43740-01

*Applies to all warranties

**Inner door gasket kit recommended

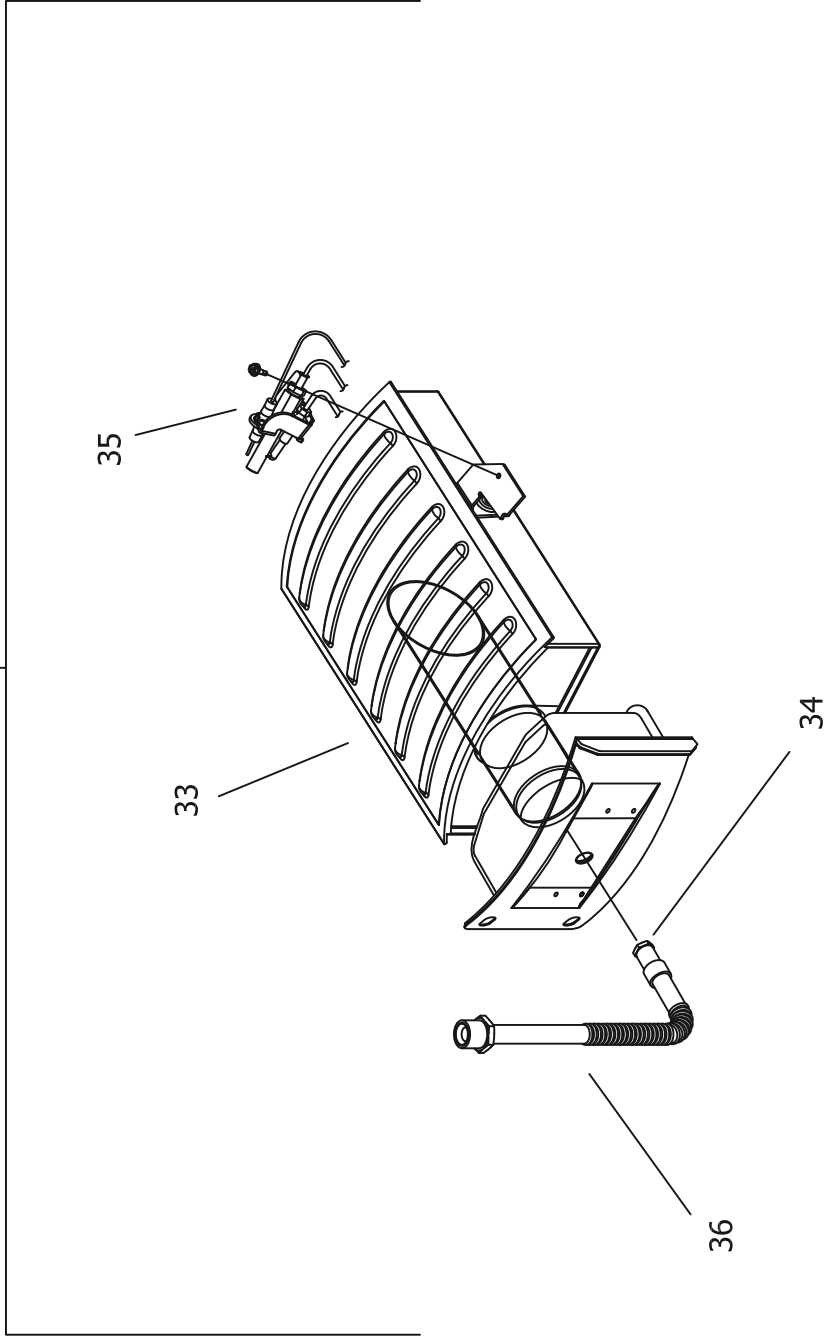
***Ordering a complete burner assembly may increase delivery time. Please order the specific component required for the quickest delivery.

▲ Order with item 18

▲▲ Order with item 15

#A420 Anode may need to be cut to length.

32



ULTRA LOW NOx NATURAL GAS (RN) BURNER ASSEMBLY

Item Description	Model	Model
	UDS140S*FRN (-ONLY,-FLEX,-SOLID)	UDS150S*FRN (-ONLY,-FLEX,-SOLID)
Natural Gas BN Burner Assembly		
32	Nat Gas Burner Assembly Complete***	265-48800-02-37
33	Nat. Gas BN Burner**	228-48691-19
34	Nat. Gas Main Burner Orifice**	234-18194-37
	Nat. Gas High Altitude 2001 Ft. to 5000 Ft.**	234-18194-41
	Nat. Gas High Altitude 5001 Ft. to 8000 Ft.**	234-18194-42
35	Pilot assembly**	233-48720-03
36	Universal Feedline**	233-49006-01

*Applies to all warranties

**Inner door gasket kit recommended

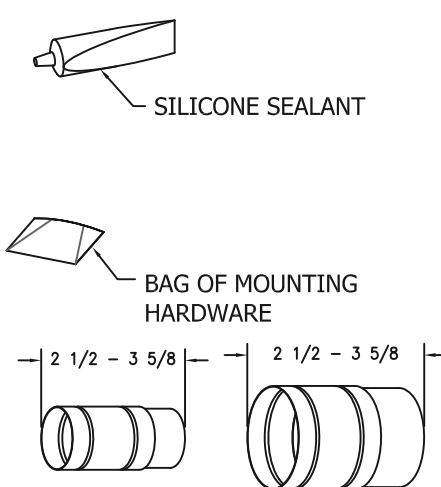
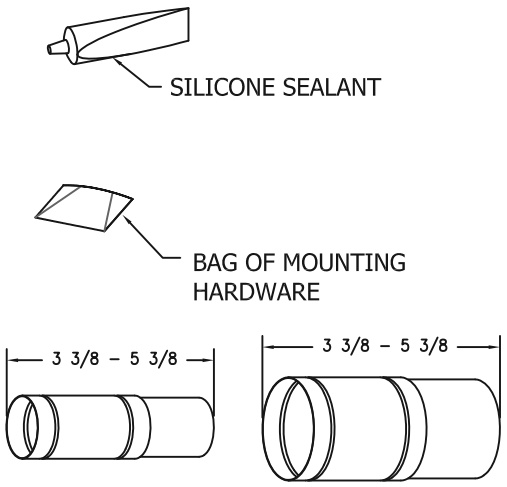
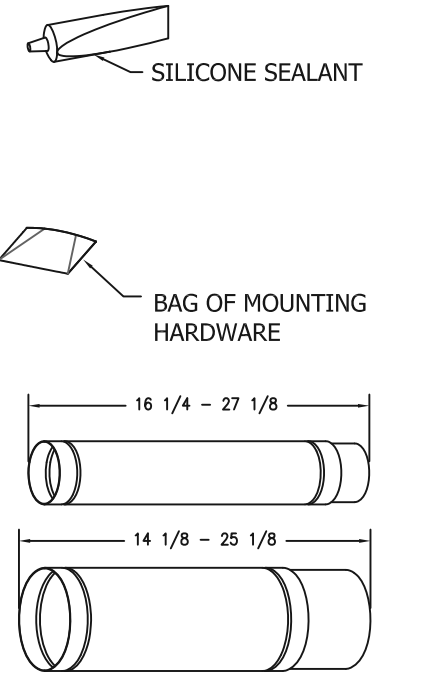
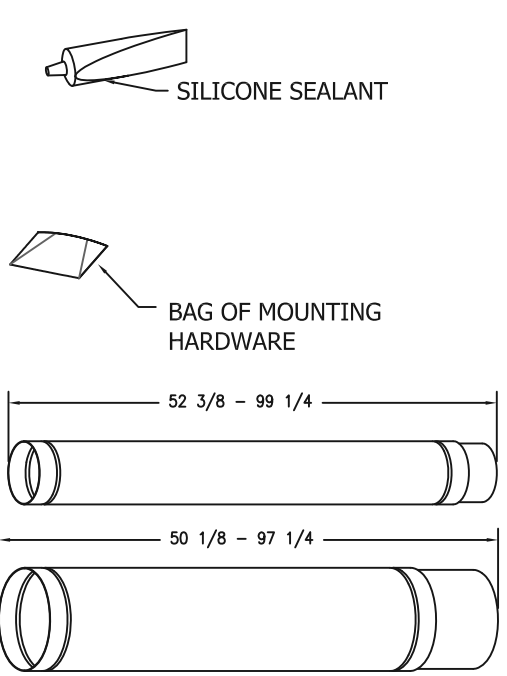
***Ordering a complete burner assembly may increase delivery time. Please order the specific component required for the quickest delivery.

▲ Order with item 18

▲▲ Order with item 15

#A420 Anode may need to be cut to length.

SOLID VENT KITS

 <p style="text-align: center;">DIRECT VENT-AIR INTAKE KIT A PART NO. 239-41260-00 (OPTIONAL)</p>	 <p style="text-align: center;">DIRECT VENT-AIR INTAKE KIT B PART NO. 239-41331-00 (OPTIONAL)</p>
 <p style="text-align: center;">DIRECT VENT-AIR INTAKE KIT C PART NO. 239-41029-00 (OPTIONAL) ABOVE TUBE LENGTHS SUPPLIED WITH HEATER</p>	 <p style="text-align: center;">DIRECT VENT-AIR INTAKE KIT D PART NO. 239-41424-00 (OPTIONAL)</p>



BRADFORD WHITE[®]

W A T E R H E A T E R S

Ambler, PA

For U.S. and Canada field service,
contact your professional installer or
local Bradford White sales representative.

Sales/800-523-2931
Fax/215-641-1670
Parts Fax/215-641-2180

Technical Support/800-334-3393
Fax/269-795-1089

Warranty/800-531-2111
Fax/269-795-1089

International:
Telephone/215-641-9400
Telefax/215-641-9750



BRADFORD WHITE-CANADA[®] INC.

Mississauga, ON

Sales/866-690-0961
905-238-0100

Fax/905-238-0105

Technical Support/800-334-3393

Email

parts@bradfordwhite.com
techserv@bradfordwhite.com

www.bradfordwhite.com