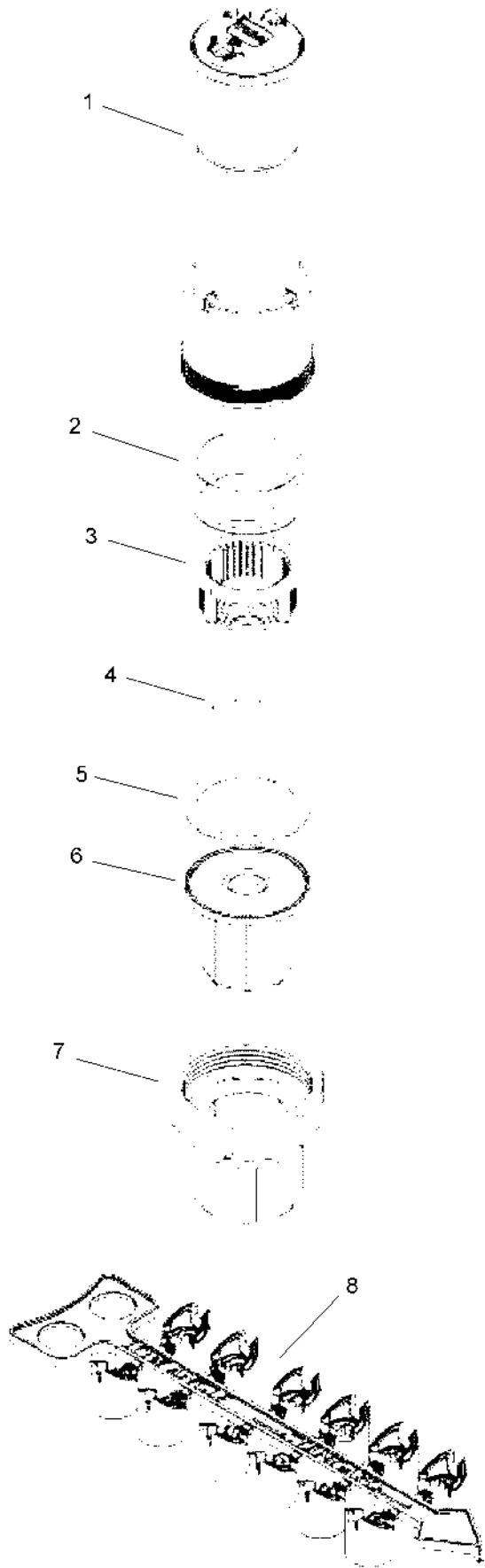
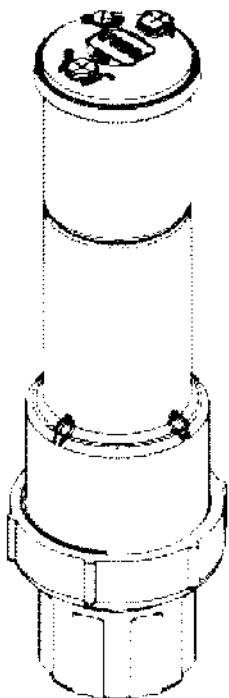


T5 Shrub



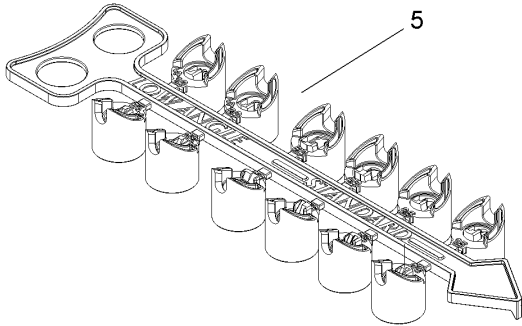
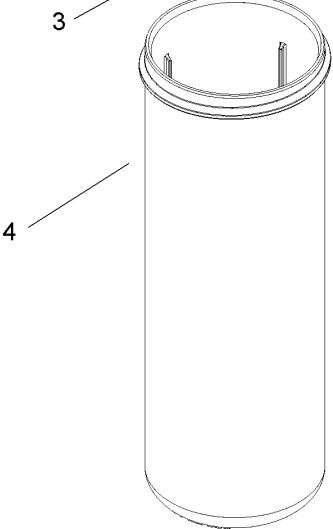
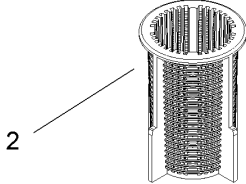
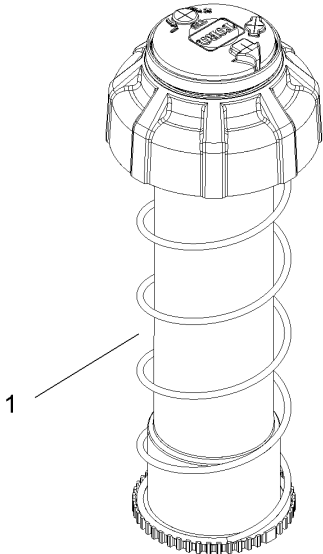
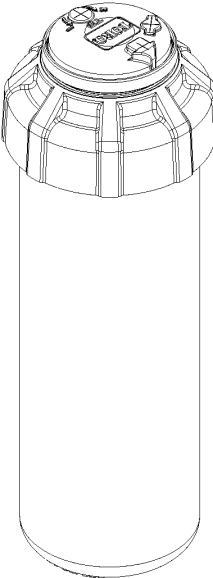
T5 Shrub (continued)

<i>Ref.</i>	<i>Part Number</i>	<i>Qty.</i>	<i>Description</i>	<i>Ref.</i>	<i>Part Number</i>	<i>Qty.</i>	<i>Description</i>
1		1	Shrub Body Assembly (Order Finished Good T5S) ▲	5	9-5211	1	Seal
				6	102-0577	1	Threaded Insert, 3/4" & 1/2", Com
2	102-0579	1	Check, Spring	7	89-8305	1	Base, Shrub
3	102-0575	1	Screen	8	102-6499	1	Nozzle Tree
4	89-7561	1	Seal, Check, Com		102-7194		Adjustment Tool ●■

● SERVICE ITEMS
▲ Not serviced separately

■ Not illustrated

T5 and T5 RapidSet, Lawn



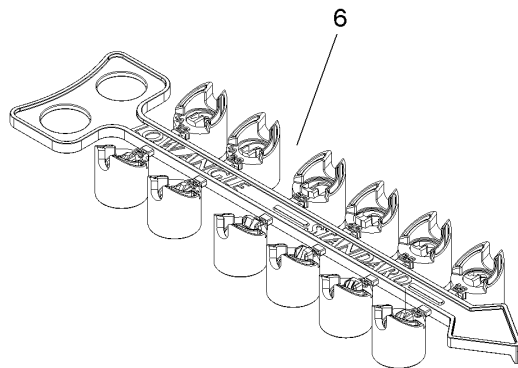
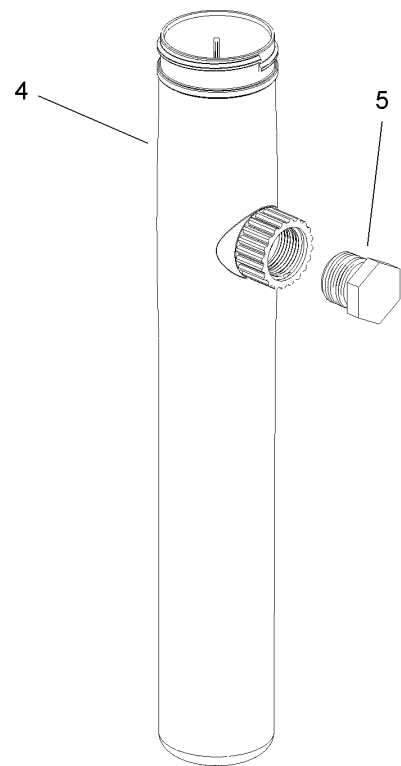
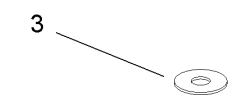
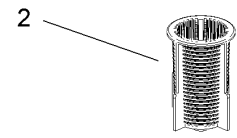
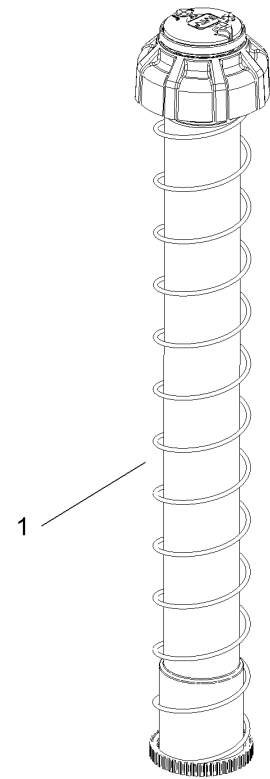
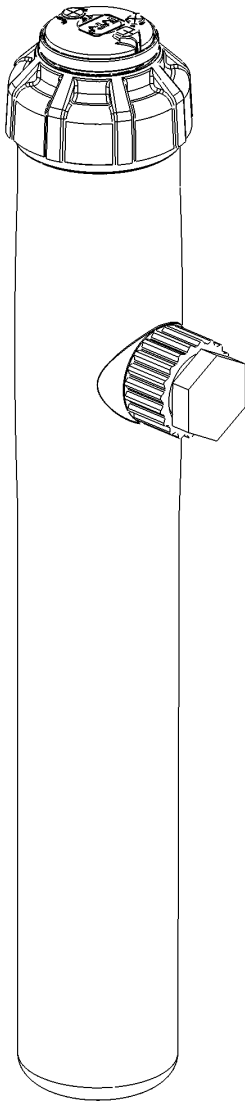
T5 and T5 RapidSet, Lawn (continued)

<i>Ref.</i>	<i>Part Number</i>	<i>Qty.</i>	<i>Description</i>	<i>Ref.</i>	<i>Part Number</i>	<i>Qty.</i>	<i>Description</i>
1		1	Riser Assembly (Order Finished Good T5P Or T5-Rs [rapidset]) ▲	4	102-6349	1	Body
2	102-6358	1	Screen	5	102-6499	1	Nozzle Tree
3	89-7561	1	Check Seal (Optional, Not Included With The Riser Assembly)		102-7194		Adjustment Tool ●■

● SERVICE ITEMS
▲ Not serviced separately

■ Not illustrated

T5, High-Pop



T5, High-Pop (continued)

<i>Ref.</i>	<i>Part Number</i>	<i>Qty.</i>	<i>Description</i>	<i>Ref.</i>	<i>Part Number</i>	<i>Qty.</i>	<i>Description</i>
1		1	Riser Assembly (Order Finished Good T5HP) ▲	4	102-6501	1	Body
2	102-6358	1	Screen	5	363-3779	1	Plug, 3/4" Npt Male
3	89-7561	1	Check Seal (Optional, Not Included With The Riser Assembly)	6	102-6499	1	Nozzle Tree
					102-7194		Adjustment Tool ● ■

● SERVICE ITEMS
▲ Not serviced separately

■ Not illustrated