

4-151

Symmons®

Universal Institutional Shower Heads



Symmons Universal Institutional shower head with mounting bracket and fasteners. Vandal-resistant. Flow rate is 2.0 GPM (7.6 L/min).

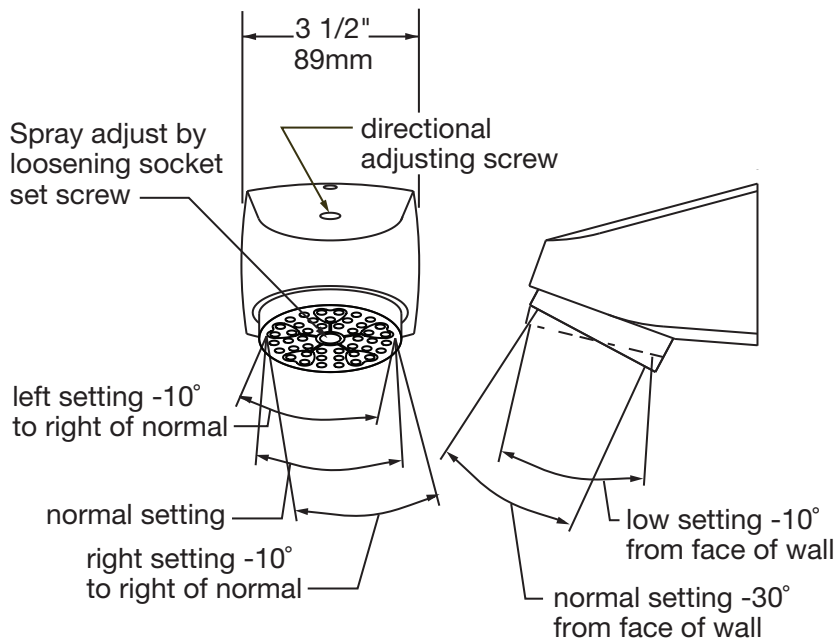
Modifications:

- Suffix A:** Anchor plate for use with ceramic tile
- Suffix B:** Back plate and bolts for extra thick wall



**SYMMONS PRODUCTS MEET
ASME A112.18.1
WaterSense 2.0 gpm (7.6 L/min)**



Job/Location

.....

.....

Engineer

.....

.....

Contractor

.....

.....

For ADA compliance (Americans with Disabilities Act) consult ADAAG or your state regulations for proper product choice and mounting locations.

Symmons Industries, Inc. ■ 31 Brooks Drive ■ Braintree, MA 02184
(800) 796-6667, (781) 848-2250 ■ Fax (800) 961-9621, (781) 843-3849
Website: symmons.com ■ Email: gethelp@symmons.com

