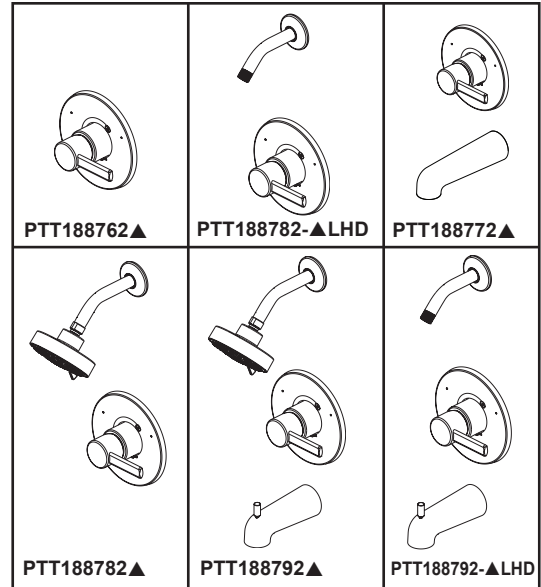
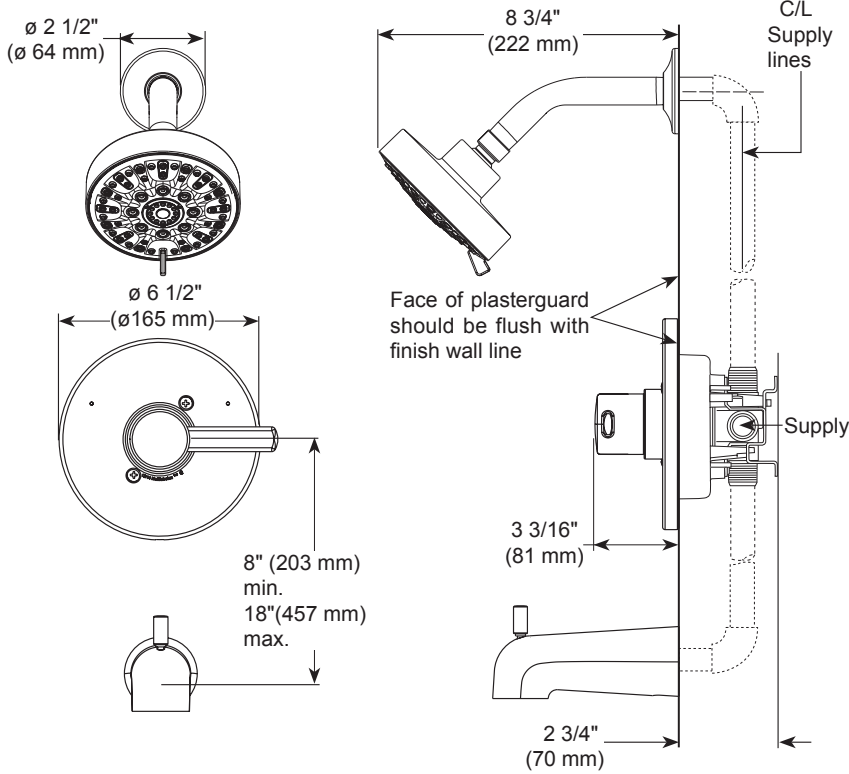


PEERLESS®

PTT188762▲, PTT188772▲
 PTT188782▲, PTT188782▲-LHD
 PTT188792▲, PTT188792-▲LHD



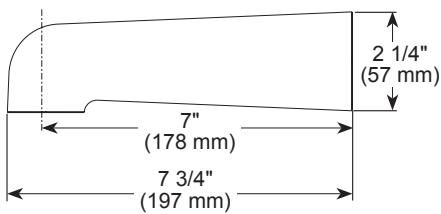
TUB AND SHOWER FAUCET TRIM

- Precept® Collection
- Valve Only (PTT188762▲)
- Tub Only (PTT188772▲)
- Shower Only (PTT188782▲ & PTT188782▲-LHD)
- Tub/Shower (PTT188792▲ & PTT188792▲-LHD)

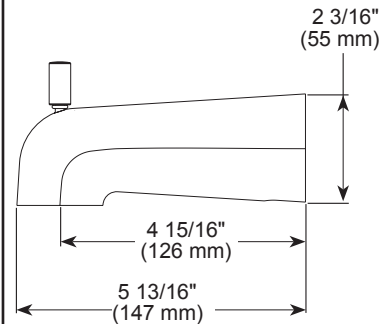
STANDARD SPECIFICATIONS:

- Maintains a balanced pressure of hot and cold water even when a valve is turned on or off elsewhere in the system.
- For use with MultiChoice® Universal rough valve body. (R10000 Series)
- Tub/Shower. Requires 2 3/4" wall cavity.
- Back-to-back installation capability.
- Cartridge utilizes integral check valves to prevent the cross flow of water within the valve.
- Field adjustable means to limit handle rotation into hot water zone.
- Red/blue markings on escutcheon for hot/cold identification.
- Temperature only controlled with handle rotating a maximum of 120° from full cold to the full hot.
- Easy turn dial to change shower head spray settings, pause is a non-positive shut-off
- Shower head with 6 spray settings - Full body spray, massage spray, full spray with massage spray, focus spray, full spray with focus spray & pause.
- "-LHD" models indicate less shower head.
- Shower head maximum flow rate is 1.5 gpm @ 80 psi, 5.7 L/min @ 550 kPa.
- Slip-on tub spout.

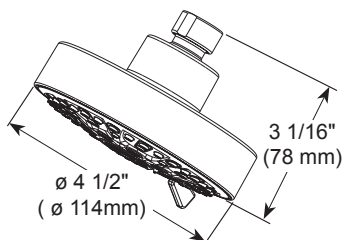
RP103451▲
 For PTT188772▲ only



RP82102▲



RP101770▲-1.5
 1.5 GPM



▲ Designate Proper Finish Suffix

PSP-B-PTT188782 Rev. G

WARRANTY:

- Parts and Finish - Lifetime limited warranty; or for commercial purchasers, 10 years for multi-family residential (apartments and condominiums) and 5 years for all other commercial uses, in each case from the date of purchase.



COMPLIES WITH

- ASME A112.18.1 / CSA B125.1
- EPA WaterSense® - Applies to PTT188782 & PTT188792 only
- ♿ Indicates compliance to ICC/ANSI A117.1 - Valve control only