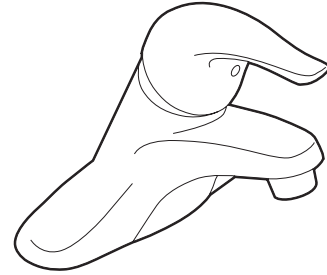


There is more than 1 version of this model.  
Page down to identify the version you have.



## CHATEAU® Single-Handle Lavatory Faucet

### with Metal Waste Assembly

Model: L4625 series  
L4631BC

**Bulk Packed (12 per carton):**  
L64624 series

### with 50/50 Waste Assembly

**Bulk Packed (12 per carton):**  
L64625 series

**Less Waste**  
**Bulk Packed (12 per carton):**  
L64600 series

**NOTE:** THIS FAUCET IS DESIGNED TO BE  
INSTALLED THRU 3-1" DIA. HOLES, 2" ON CENTER



### DESCRIPTION

- Metal construction with various finishes identified by suffix
- Flexible supplies with 3/8" compression fittings
- Includes metal or 50/50 pop-up type waste assembly where noted

### OPERATION

- Pivot action lever style handle
- Temperature controlled through 100° degree arc of handle travel


### FLOW

- Water usage is limited to these maximum flow rates as indicated by the corresponding product markings
- ° 1.2 gpm max (4.5L/min) at 60 psi
- ° 1.5 gpm max (5.7L/min) at 60 psi

### CARTRIDGE

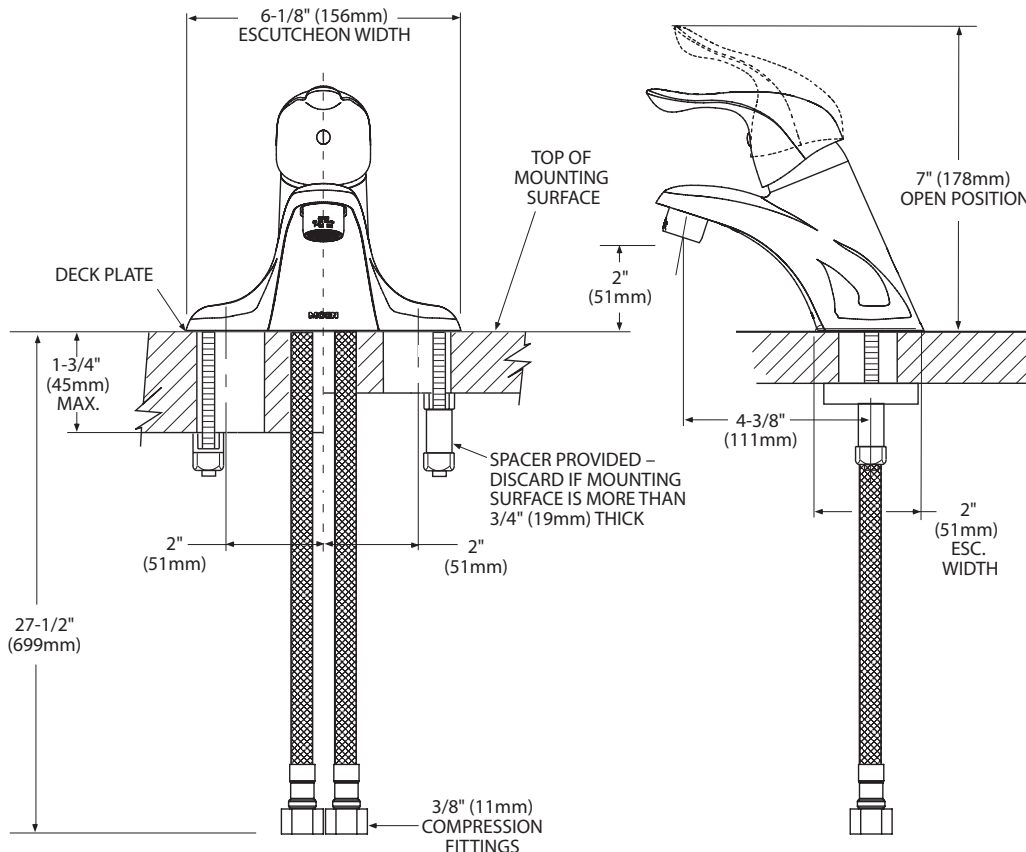
- 1255™ Duralast™ cartridge
- Nonmetallic/nonferrous and stainless steel material

### STANDARDS

- Third party certified to WaterSense®, ASME A112.18.1/CSA B125.1 and all applicable requirements referenced therein
- Certified to NSF 61/9 & 372
- Products marked with 1.2 gpm are compliant with California water efficiency regulations
- Complies with California Proposition 65 and with the Federal Safe Drinking Water Act
- **ADA**  for lever handle

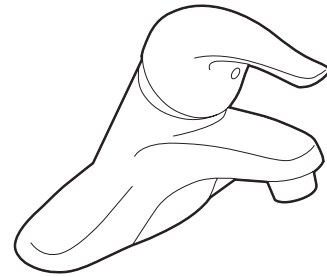
### WARRANTY

- Lifetime limited warranty against leaks, drips and finish defects to the original consumer purchaser
- 5 year warranty if used in commercial installations



## CRITICAL DIMENSIONS

(DO NOT SCALE)



## CHATEAU® Single-Handle Lavatory Faucet

### with Metal Waste Assembly

Model: L4625 series

L4631BC

**Bulk Packed (12 per carton):**

L64624 series

### with 50/50 Waste Assembly

**Bulk Packed (12 per carton):**

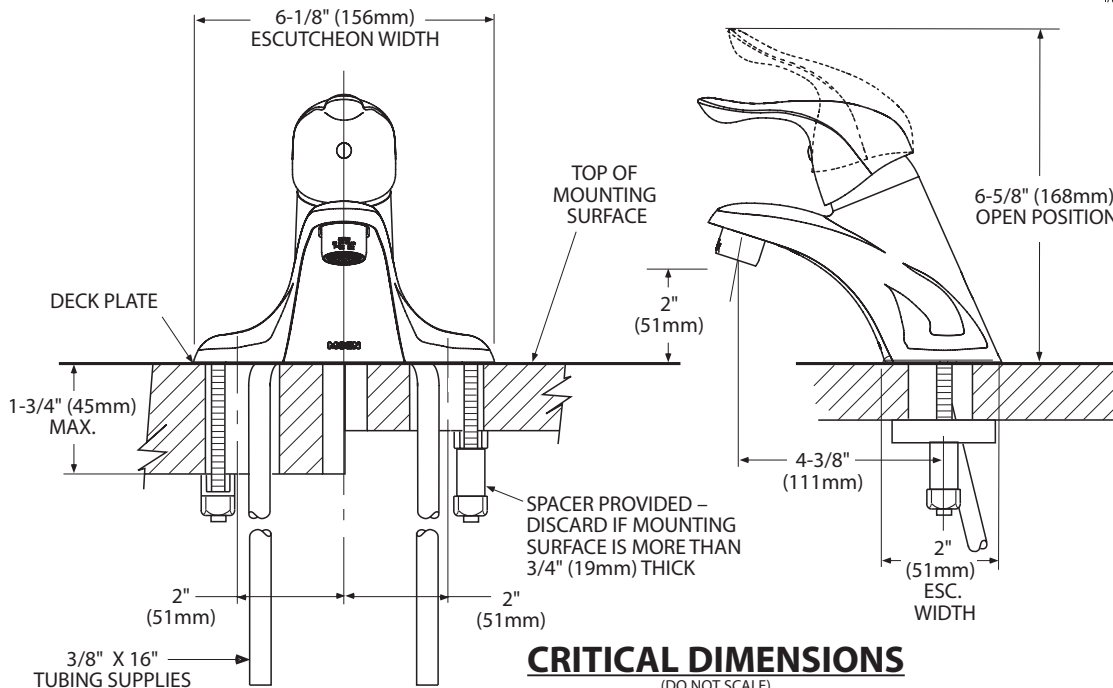
L64625 series

### Less Waste

**Bulk Packed (12 per carton):**

L64600 series

**NOTE:** THIS FAUCET IS DESIGNED TO BE INSTALLED THRU 3-1" DIA. HOLES, 2" ON CENTER



### DESCRIPTION

- Metal construction with various finishes identified by suffix
- 16" long 3/8" tubing connections
- Includes metal or 50/50 pop-up type waste assembly where noted

### OPERATION

- Pivot action lever style handle
- Temperature controlled through 180° degree arc of handle travel


### FLOW

- Flow is limited to 1.5 gpm max (5.7L/min) at 60 psi

### CARTRIDGE

- 1225 cartridge design
- Nonmetallic/nonferrous and stainless steel material
- Can accommodate reversed piping and back to back installations

### STANDARDS

- Third party certified to WaterSense®, CSA B-125.1, ASME A112.18.1 and all applicable requirements referenced therein including NSF61/9
- Complies with California Proposition 65 and with the Federal Safe Drinking Water Act
- **ADA**  for lever handle

### WARRANTY

- Lifetime limited warranty against leaks, drips and finish defects to the original consumer purchaser
- 5 year warranty if used in commercial installations