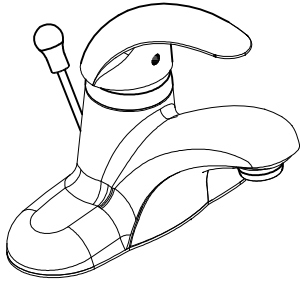


# ULTRA FAUCETS

## INSTRUCTION



### Tools:

- Adjustable Wrench
- Pliers
- Pipe Wrench
- Screwdriver
- Teflon Tape

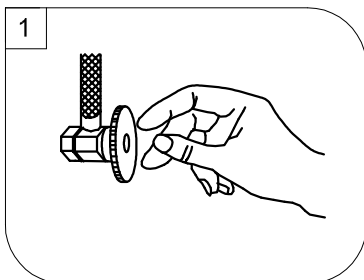


### Maintenance:

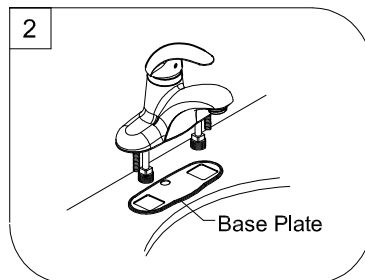
Your new Lavatory faucet is designed for years of trouble-free performance. Keep it looking new by cleaning it periodically with a soft cloth. Avoid abrasive cleaners, steel wool and harsh chemicals as these will dull the finish and void your warranty.

### Single Handle Lavatory Faucet With Pop-up Model no: UF3422X

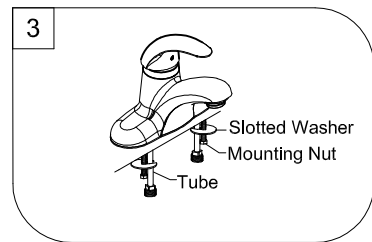
#### Preparation / Assembly



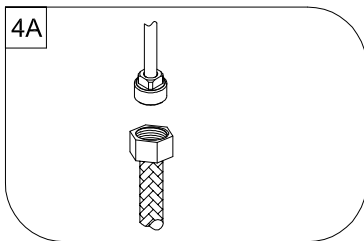
1 Shut off water supplies. Remove old faucet. Clean sink surface in preparation for new faucet.



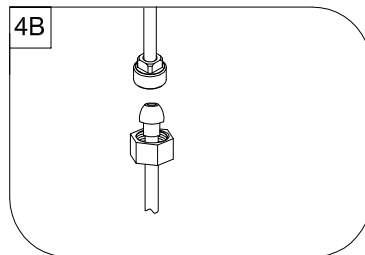
2 Shut off hot and cold water supply to faucet or turn off main water supply . Remove old faucet .Clean sink surface . Place BASE PLATE on the sink .



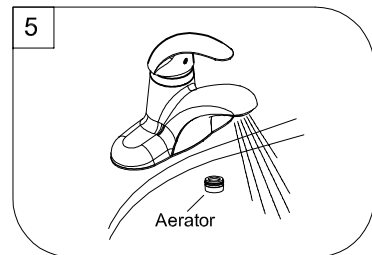
3 Insert supply TUBES through holes of sink . Attach SLOTTED WASHERS and hand tighten MOUNTING NUTS . Use a wrench to tighten the MOUNTING NUTS . Do not overtighten .



(A) Stainless Steel Braided Faucet Supply Tubes: This is the simplest of all installations. If you are using stainless steel braided faucet supply tubes, this faucet requires one end of the supply tube to have a 1/2" female IPS connection. The other end of this supply tube must match the thread on the water supply fittings or shut off valve under your sink. Once you have identified the required tube, carefully follow the manufacturer's installations instructions for each tube

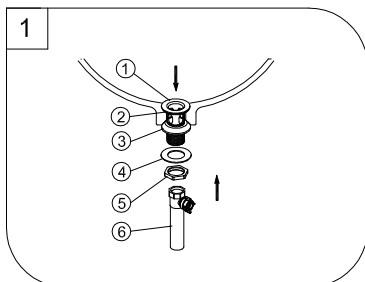


(B) Ball Nose Flexible Supplies: If you are using ball-nose flexible supplies to connect the faucet to water supply lines: Slip coupling nut behind ball-nose of flexible supplytube. Ball nose coupling will go partially into IPS shank or fitting. Tighten coupling nut (DO NOT OVER TIGHTEN). Install opposite end according to manufacturer's instructions for both tubes.



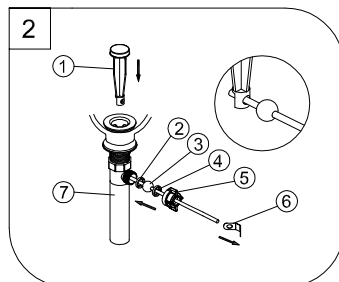
5 Remove AERATOR and turn faucet handle all the way on. Turn on hot and cold water supplies and flush water lines for one minute. Check all connections for leaks. Re-tighten if necessary, but do not overtighten. Reinstall AERATOR .Your new faucet is ready to use.

#### Pop up Drain Installation

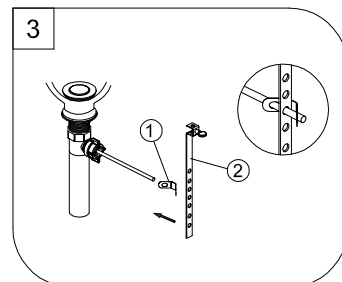


1-1. Remove flange (1), rubber washer (2), rubber washer (3), steel washer (4) and mounting nut (5) from the pop-up assembly.

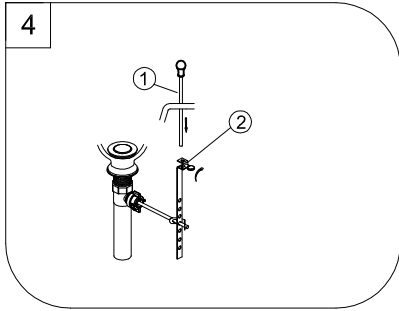
1-2. Put rubber washer (2), the flange (1) into the sink hole, install the rubber washer (3), steel washer (4) and the mounting nut (5), tighten the mounting nut using wrench, install the pipe body (6).



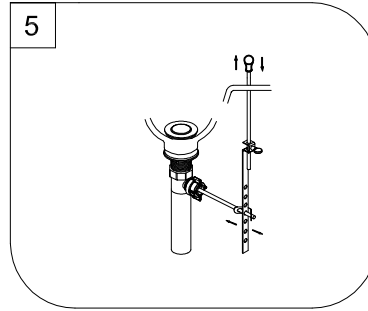
2. Unscrew the nut (5) and washer (4) from the pipe body (7), retain the white washer (2) , then take off the spring clip (6) from the ball rod (3). Insert the stopper (1), Insert the ball rod into the side hole of drain, slide the nut on and tighten securely.



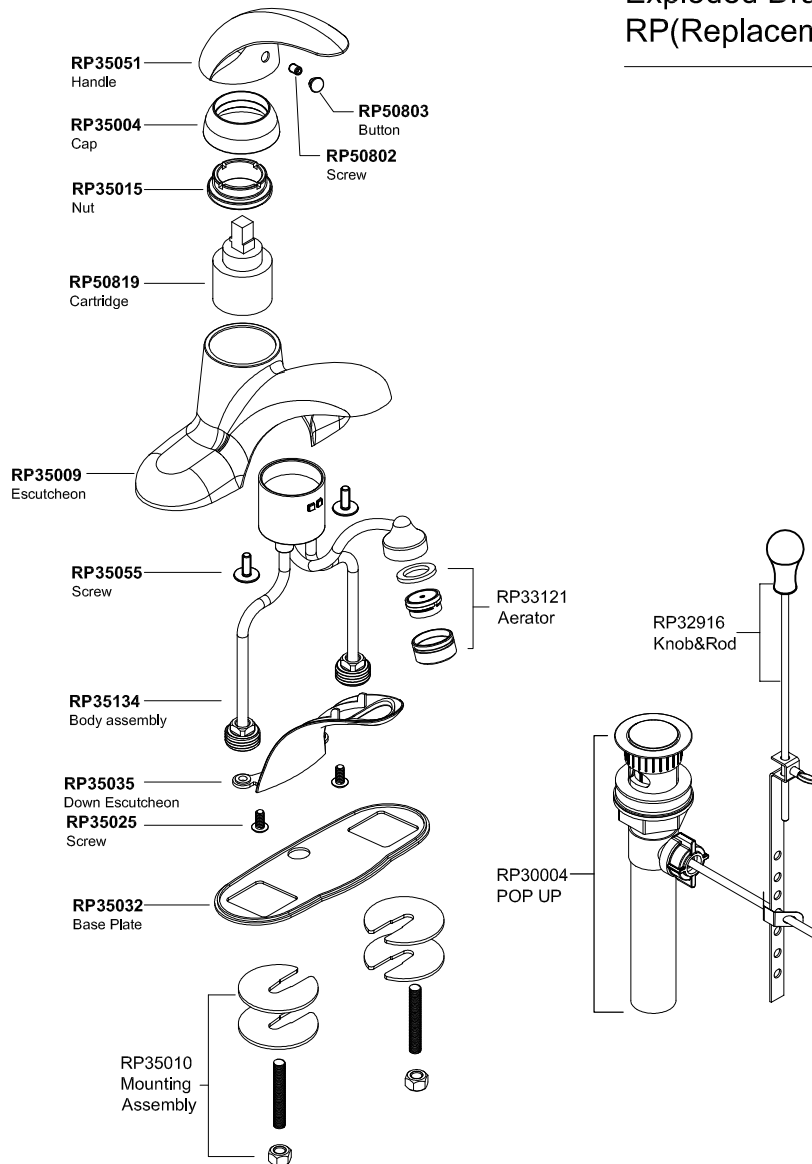
3. Install the spring clip (1) and linker (2) on the ball rod as shown.



4. Insert lift rod (1) into sink hole, through the linker hole. Tighten the lock nut (2).



5. Move the linker along the ball rod, pull the lift rod knob up and down, move the linker at propriety location.



## Limited Lifetime Warranty

Ultra Faucets warrants to the original purchaser that its products will be free from defects in workmanship and materials. All Ultra Faucets are provided with a life time limited warranty. This warranty does not cover any other labor or service charges associated with the removal, repair, or reinstallation of Ultra Faucets products. This express warranty does not apply to products that have been damaged as a result of misuse, abuse, negligence, accident, faulty installation or maintenance practices and/or used in any manner contrary to those recommended by the manufacturer.