

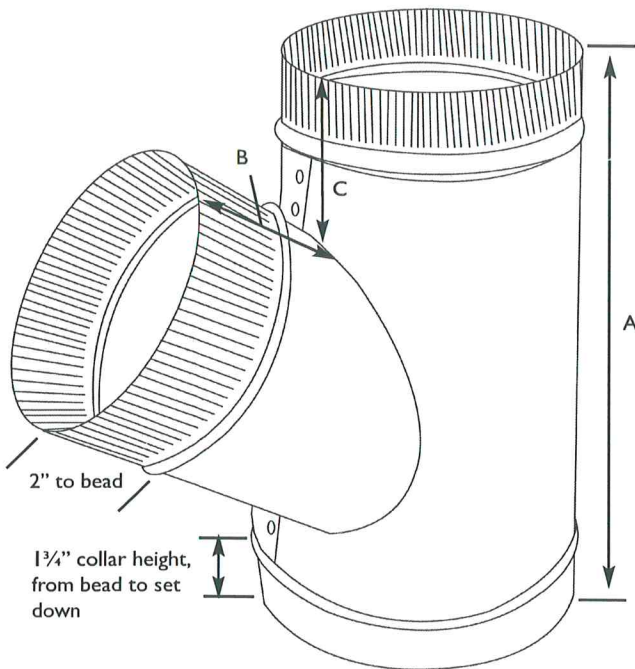


SOUTHWARK METAL MANUFACTURING COMPANY

Philadelphia, PA • Greenville, SC • Indianapolis, IN • Southaven, MS • Fremont, NE • Caldwell, ID
 Corporate Headquarters: 2800 Red Lion Road, Philadelphia PA 19114
 tel: (800) 523-1052 • fax (800) 722-2076 • www.southwarkmetal.com

SUBMITTAL DRAWING

**STUB WYE
 (MODEL NO: 203S)**



Size	A	B	C	Size	A	B	C
6-4-4	12½"	2½"	4"	10-9-7	19"	3"	5"
6-5-5	16"	3"	5"	10-10-7	19"	4"	5"
7-5-5	14½"	2½"	4½"	10-10-8	21½"	2½"	5"
7-6-5	16½"	2½"	5"	12-8-6	17"	4"	5"
7-6-6	16½"	2½"	5"	12-8-8	20"	4"	5"
8-6-5	16"	2½"	5"	12-9-9	21"	4"	5"
8-6-6	17"	3½"	5"	12-10-6	18"	3½"	5"
8-7-5	17"	3½"	5"	12-10-7	19"	2½"	5"
8-7-6	19"	3"	5"	12-10-8	20"	4"	5"
8-7-7	18"	2½"	5"	12-10-10	24"	4"	5"
8-8-6	18"	3"	5"	12-12-6	18"	3½"	5"
8-8-7	18½"	2½"	4½"	12-12-7	19"	4"	5"
9-7-5	16"	3½"	5"	12-12-8	21"	4"	5"
9-7-6	16"	2½"	4½"	14-10-8	21"	4"	6"
9-7-7	19"	3½"	5"	14-10-10	24"	4"	6"
9-8-5	15½"	2½"	4½"	14-12-6	17"	3"	4½"
9-8-6	17½"	3"	5"	14-12-7	20"	3½"	5½"
9-8-7	19"	3"	5"	14-12-8	21"	4"	5½"
10-6-6	17"	3½"	5"	14-12-10	24"	4"	6"
10-7-6	18"	3"	5"	14-12-12	27"	4½"	5"
10-7-7	19"	2½"	5"	14-14-10	23"	3½"	5"
10-8-6	17"	4½"	4½"	14-14-12	27"	4½"	5"
10-8-7	19"	3"	5"	16-14-14	30"	4"	6"
10-8-8	19"	2½"	5"	18-16-16	31"	2½"	4½"
10-9-6	17"	3"	4½"				

NOTES

- Material: Hot Dipped Galvanized Steel per ASTM A653 CS Type B
- 26 Ga
- Stub at 45° angle from body
- 3/8" overlap for riveting using 1/8" rivets
- 1 1/2" crimp

- "B" dimension length of stub from connection point to body to end of stub
- "C" dimension height of beginning connection to stub to end of fitting

JOB NAME: _____	DATE: 06/10/14	SW-203SID	SD-0195
LOCATION: _____	Stub Wye MODEL NO: 203S		
ARCHITECT: _____			
ENGINEER: _____			
CONTRACTOR: _____			