

**PRODUCT SPECIFICATIONS**

Elkay Quartz Classic® 25" x 22" x 9-1/2", Single Bowl Drop-in Sink. Sink is molded with up to 80% natural quartz and high performance acrylic resins that are non-porous providing superior heat, scratch, fade and stain resistance. Naturally sound deadening and Rear Center drain placement.

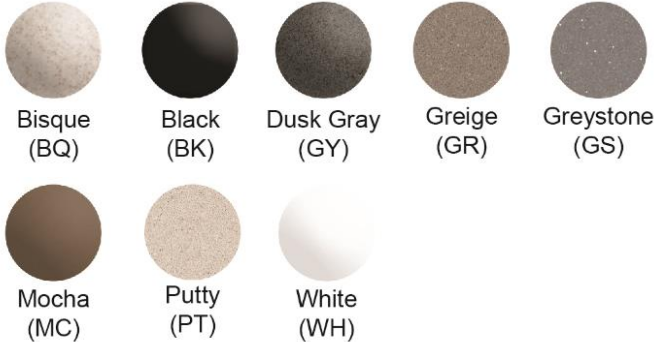


|                              |                                                                                                          |
|------------------------------|----------------------------------------------------------------------------------------------------------|
| <b>Installation Type:</b>    | Drop-in                                                                                                  |
| <b>Material:</b>             | Quartz                                                                                                   |
| <b>Finish:</b>               | Bisque (BQ), Black (BK), Dusk Gray (GY), Greige (GR), Greystone (GS), Mocha (MC), Putty (PT), White (WH) |
| <b>Number of Bowls:</b>      | 1                                                                                                        |
| <b>Sink Dimensions:</b>      | 25" x 22" x 9-1/2"                                                                                       |
| <b>Bowl 1 Dimensions:</b>    | 22-5/16" x 16-7/16" x 9-1/2"                                                                             |
| <b>Drain Size:</b>           | 3-1/2" (89mm)                                                                                            |
| <b>Drain Location:</b>       | Rear Center                                                                                              |
| <b>Minimum Cabinet Size:</b> | 30"                                                                                                      |
| <b>Mounting Hardware:</b>    | Part # 64090404 included for countertops up to 1-3/4" (44mm) thick                                       |
| <b>Cutout Template #:</b>    | <a href="#">0000001438</a>                                                                               |

Template is available for download at [elkay.com](#). CAD software will be required to open the template.

**Cutout Dimensions for Drop-in Installation:**

24-3/8" x 21-3/8" (619mm x 543mm) with 11/16" (17mm) corner radius



**AMERICAN PRIDE. A LIFETIME TRADITION.**  
Like your family, the Elkay family has values and traditions that endure. For almost a century, Elkay has been a family-owned and operated company, providing thousands of jobs that support our families and communities.

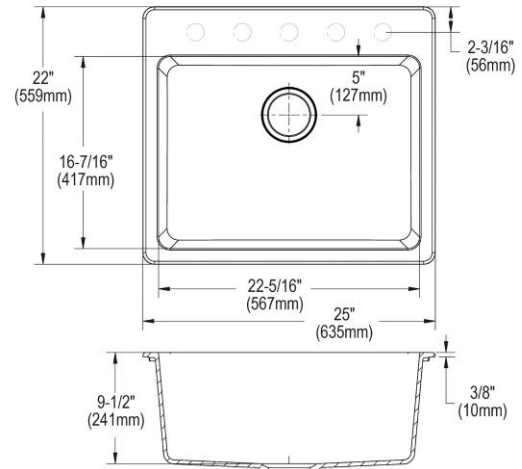
**Product Compliance:** CSA B45.5/IAPMO Z124



Sinks are listed by IAPMO® as meeting the applicable requirements of the Uniform Plumbing Code®, International Plumbing Code®, and National Plumbing Code of Canada.

[Clean and Care Manual \(PDF\)](#)  
[Installation Instructions \(PDF\)](#)  
[Warranty \(PDF\)](#)

1-1/2" (38mm) Diameter Faucet Holes on 4" (102mm) Centers are Pre-Scored. Installer can punch up to 5 faucet holes.



PART: \_\_\_\_\_ QTY: \_\_\_\_\_

PROJECT: \_\_\_\_\_

CONTACT: \_\_\_\_\_

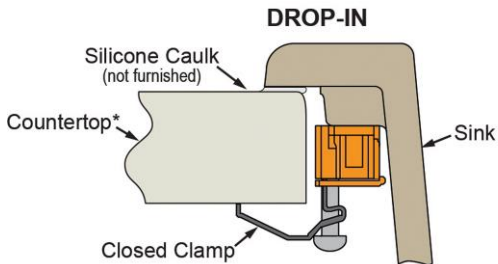
DATE: \_\_\_\_\_

NOTES: \_\_\_\_\_

APPROVAL: \_\_\_\_\_

*In keeping with our policy of continuing product improvement, Elkay reserves the right to change product specifications without notice. Please visit [elkay.com](#) for the most current version of Elkay product specification sheets. This specification describes an Elkay product with design, quality, and functional benefits to the user. When making a comparison of other producers' offerings, be certain these features are not overlooked.*

**Installation Profile:**



\*Maximum thickness for use of hold down system is 1-3/4" (44mm).

**OPTIONAL ACCESSORIES**

|                        |                      |
|------------------------|----------------------|
| <b>Bottom Grid:</b>    | LKOBG2217SS          |
| <b>Cutting Board:</b>  | LKCBEG2217HW         |
| <b>Drain:</b>          | LKQS35, LKQD35, LK99 |
| <b>Faucet:</b>         | LK6000CR, LKEC2031   |
| <b>Rinsing Basket:</b> | LKWRB2217SS          |
| <b>Soap Dispenser:</b> | LKGT1054             |

*In keeping with our policy of continuing product improvement, Elkay reserves the right to change product specifications without notice. Please visit [elkay.com](http://elkay.com) for the most current version of Elkay product specification sheets. This specification describes an Elkay product with design, quality, and functional benefits to the user. When making a comparison of other producers' offerings, be certain these features are not overlooked.*